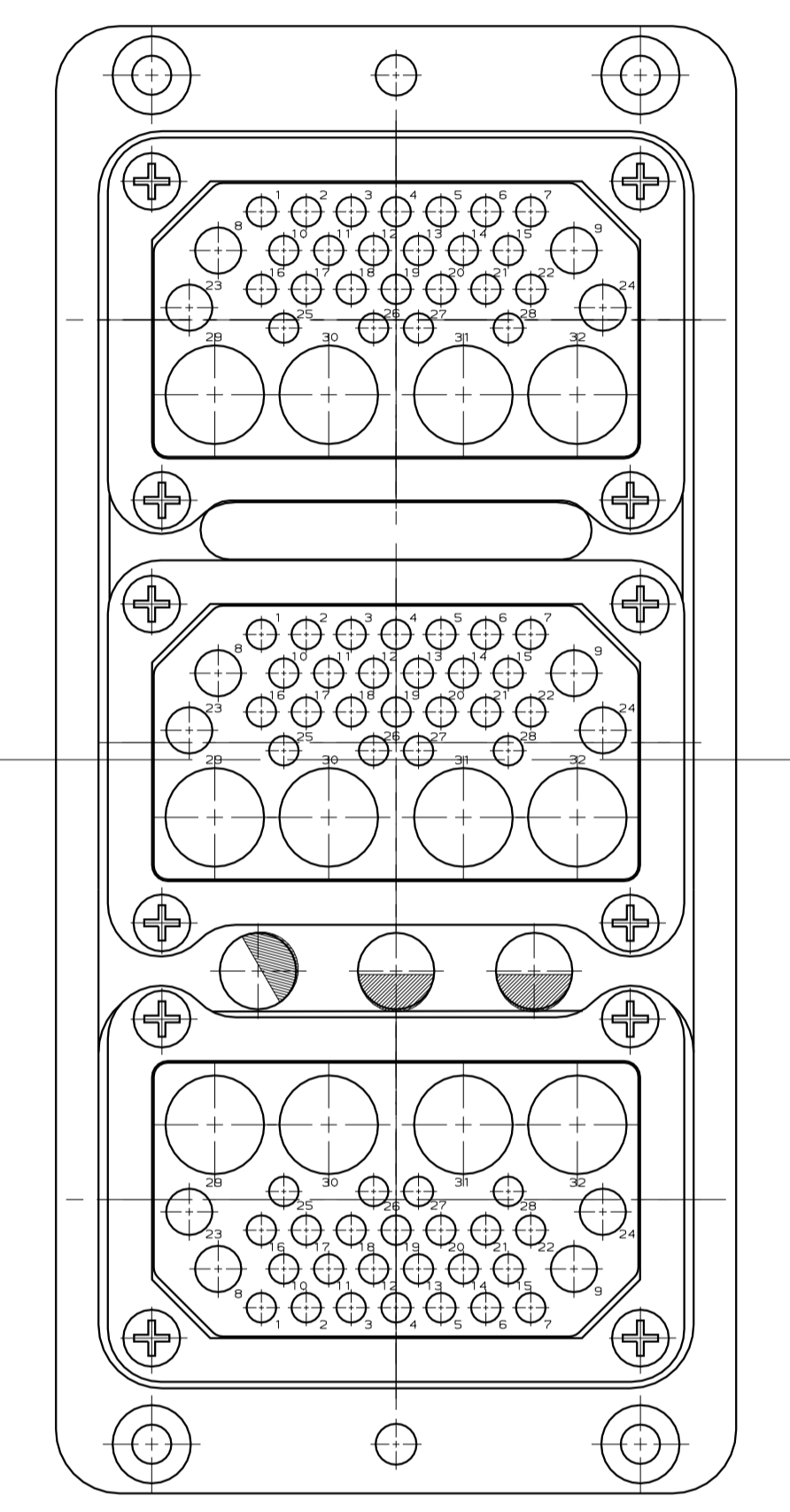
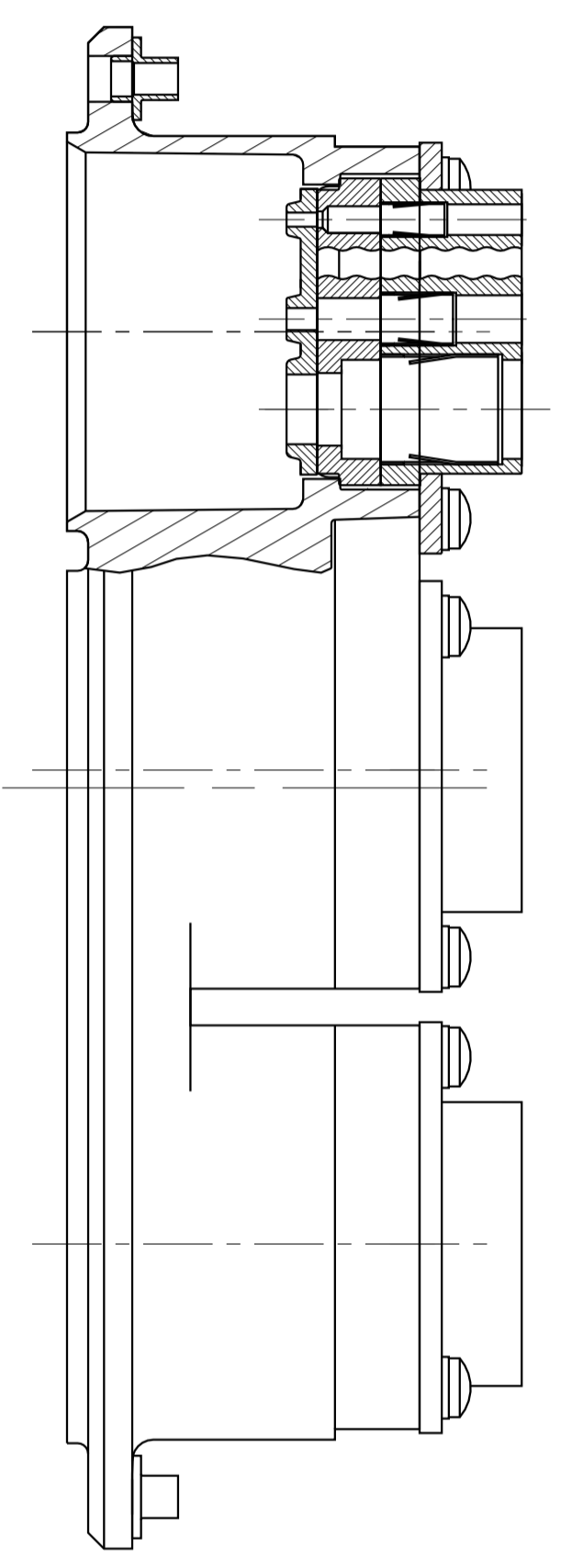
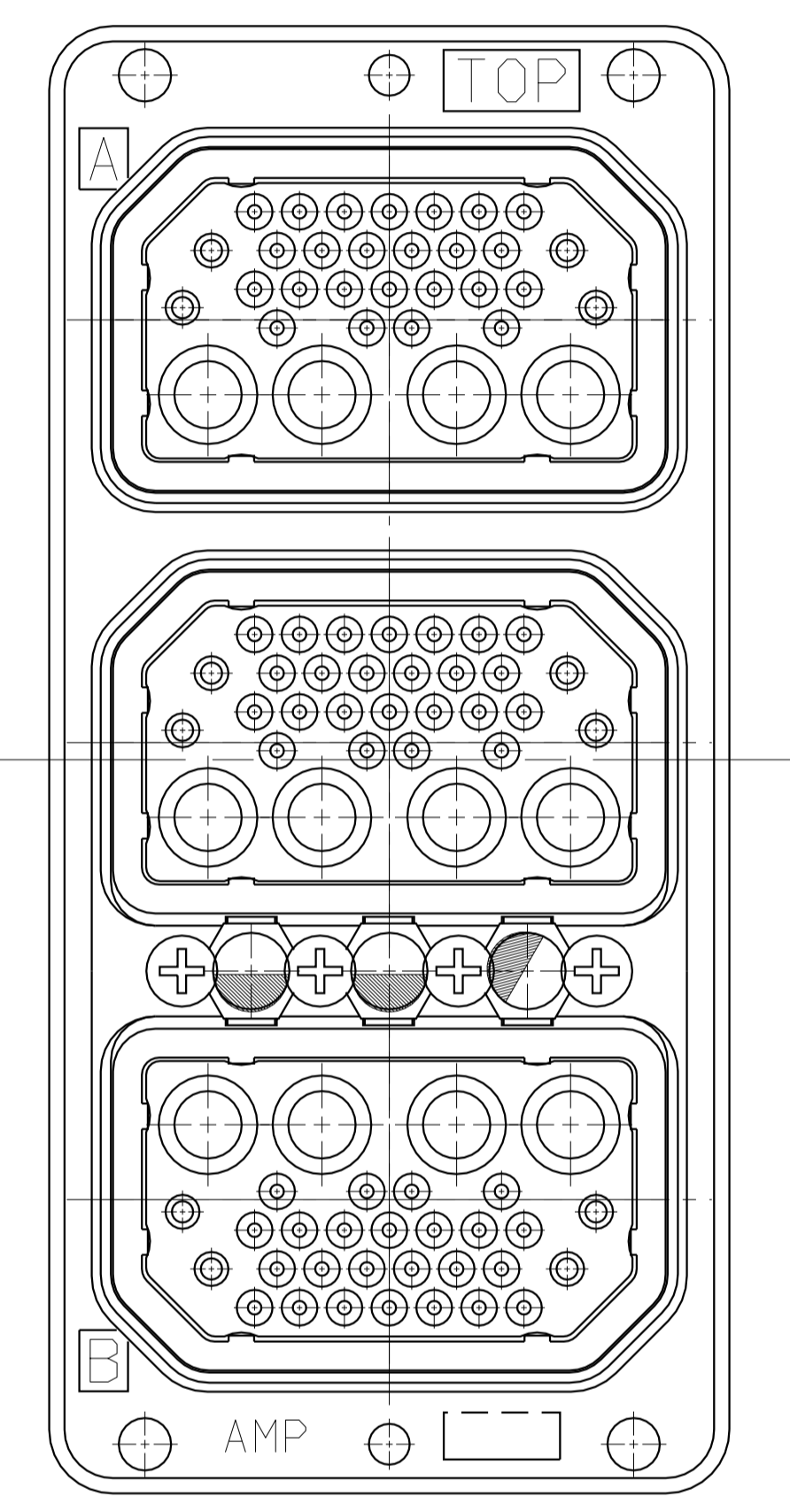


LOC		DIST		REVISIONS			
		SP	LTR	DESCRIPTION	DATE	DWN	APVD
-	-	-	-			-	-



THIS DRAWING IS A CONTROLLED DOCUMENT FOR AMP INCORPORATED. IT IS SUBJECT TO CHANGE AND THE CONTROLLING ENGINEERING ORGANIZATION SHOULD BE CONTACTED FOR THE LATEST REVISION.

DIMENSIONS: IN (mm)	TOLERANCES UNLESS OTHERWISE SPECIFIED: 0 PLC ±.01 1 PLC ±.02 2 PLC ±.03 3 PLC ±.04 A PLC ±.05 ANGLES ±.5°	DWN I. THOMPSON CHK K. GUARAGNO APVD K. GUARAGNO	06-02-95	AMP AMP Incorporated Harrisburg, PA 17105-3608	
MATERIAL	FINISH	PRODUCT SPEC	APPLICATION SPEC	SIZE A1 00779	DRAWING NO C-443150
CUSTOMER DRAWING		WEIGHT	SCALE 2:1	SHEET 1 OF 1	REV 0