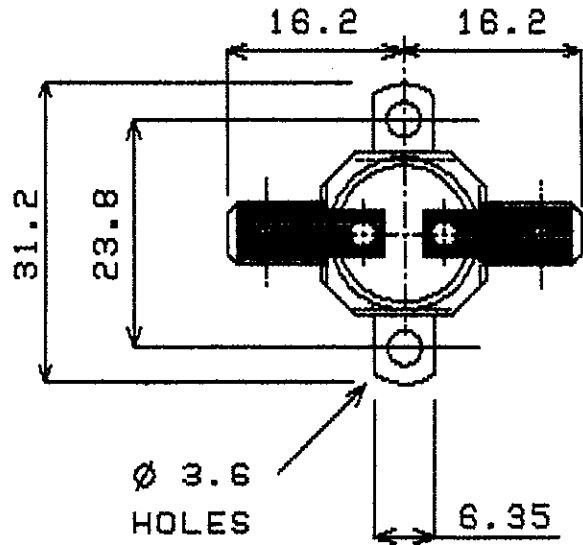


DO NOT SCALE ALL DIMENSIONS ARE FOR REFERENCE ONLY

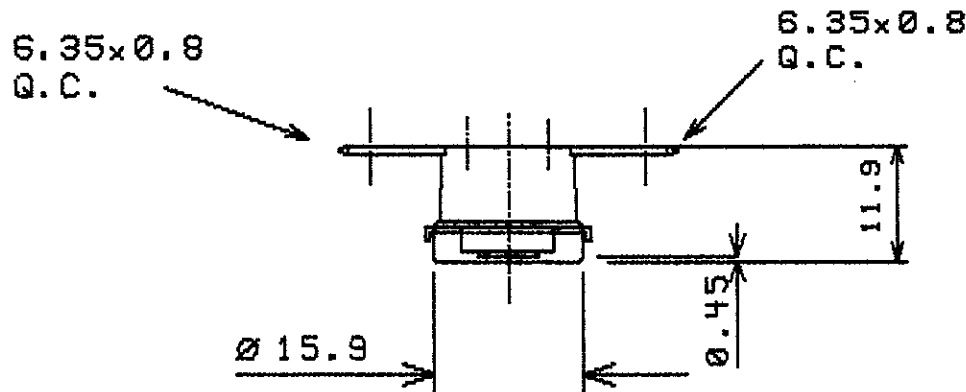
OPERATING CRITERIA



VOLTS: 240      AMPS: 10      HZ:


OPERATING TEMPS. DEG. C

OPEN: 110 ± 4  
CLOSE: 95 ± 5



NOTE: ORIENTATION OF BRACKET IS NOT FIXED

|        |      |      |  |  |  |  |  |  |  |
|--------|------|------|--|--|--|--|--|--|--|
| ISSUE  | A    | B    |  |  |  |  |  |  |  |
| MOD No | 0052 | 0050 |  |  |  |  |  |  |  |
| MTH/YR | 3/97 | 7/98 |  |  |  |  |  |  |  |

|  |   |  |  |                    |
|--|---|--|--|--------------------|
| <p><u>CODING REQUIREMENTS</u><br/>COLOUR: LASER CODE<br/>L110C RP 9100 439 XXX<br/>(XXX = DATE CODING)</p> | <p>CAP: 8200      MAT'L: ALUMINIUM<br/>BRK/T: 82036      MAT'L: STEEL<br/>..... PLATING: NICKEL .....</p> | <p>ELMWOOD DEVICE &amp; UNIQUE PART No.<br/>2455RP-9100-439</p>  | <p>ELMWOOD DRG No.<br/>965207</p>                                | <p>ISSUE<br/>B</p> |
|  | <p>TERMINAL: T146      : T146<br/>MATERIAL: BRASS      : BRASS<br/>PLATING: NICKEL      : NICKEL</p>      | <p> ELMWOOD<br/>SENSORS LTD</p> | <p>DATE OF ISSUE STAMP<br/><i>[Signature]</i><br/>7 JUL 1998</p> |                    |