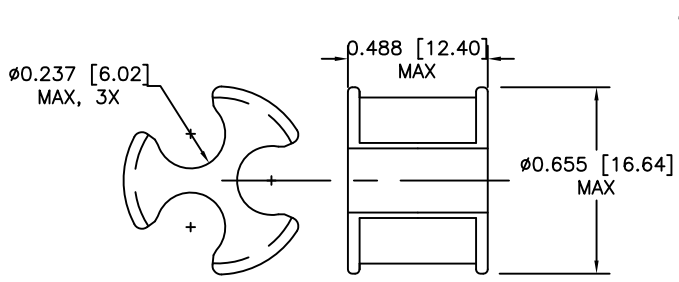
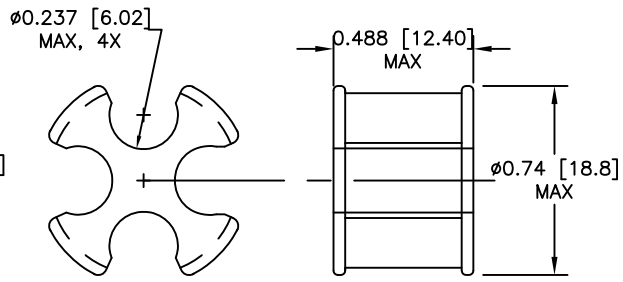


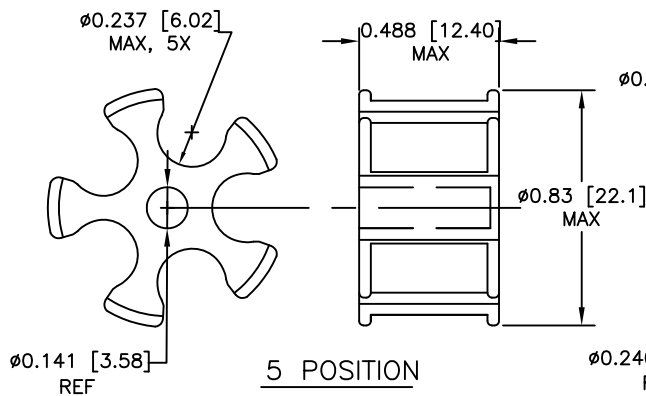
REVISIONS			
LTR	DESCRIPTION	DATE	APPROVED
C	REVISED PER ECO-14-008930	06/12/2014	I. MYONG



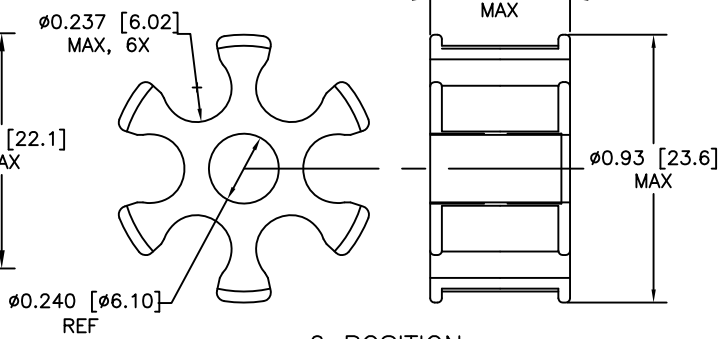
3 POSITION



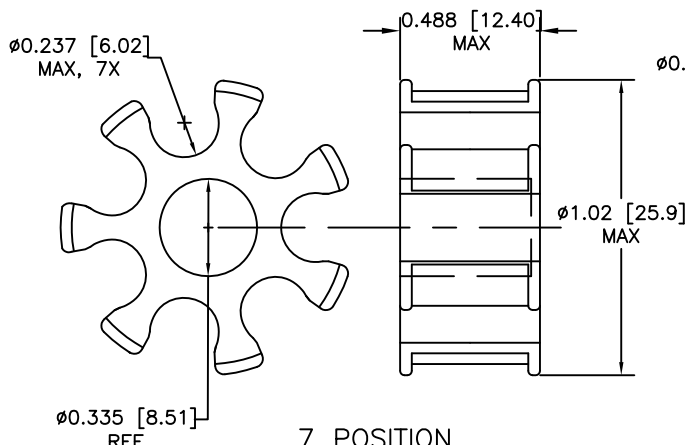
4 POSITION



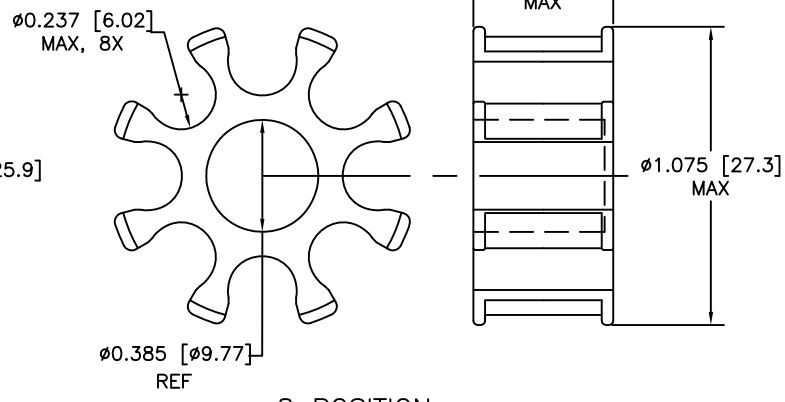
5 POSITION



6 POSITION




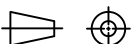
7 POSITION

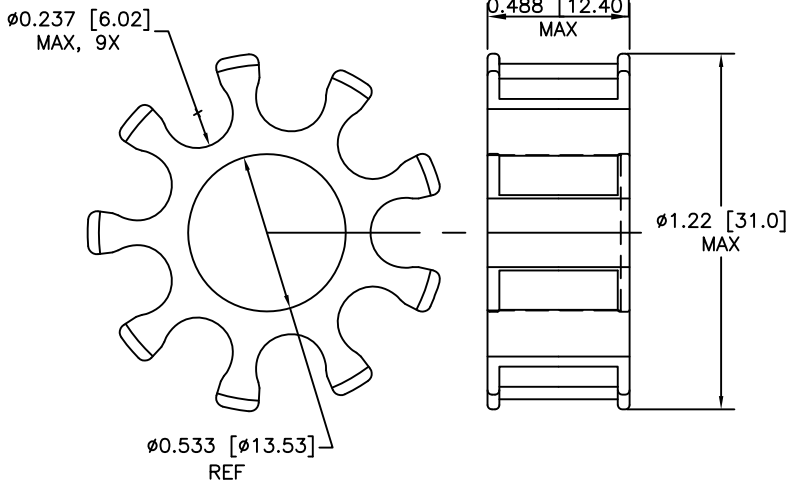


8 POSITION

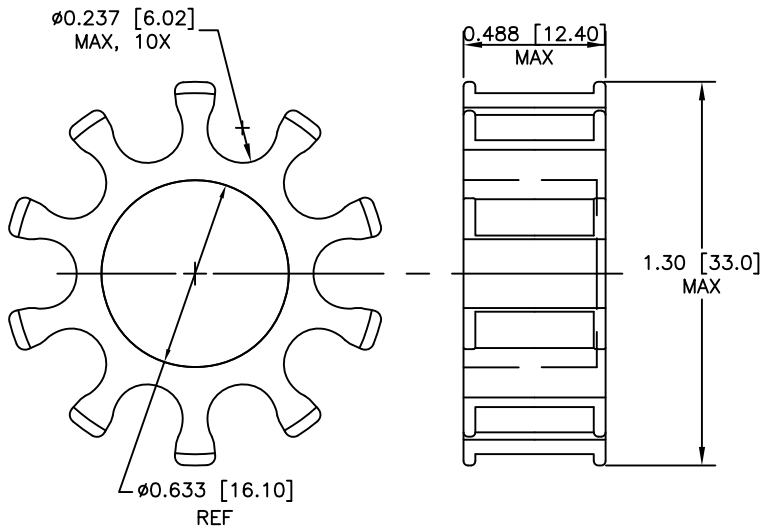
©2014 TE CONNECTIVITY LTD. FAMILY OF COMPANIES. ALL RIGHTS RESERVED
 TE CONNECTIVITY (LOGO) AND TE (LOGO) ARE TRADEMARKS.
 OTHER LOGOS, PRODUCT AND/OR COMPANY NAMES MAY BE TRADEMARKS OF THEIR RESPECTIVE OWNERS.

Raychem Adapters CUSTOMER DRAWING

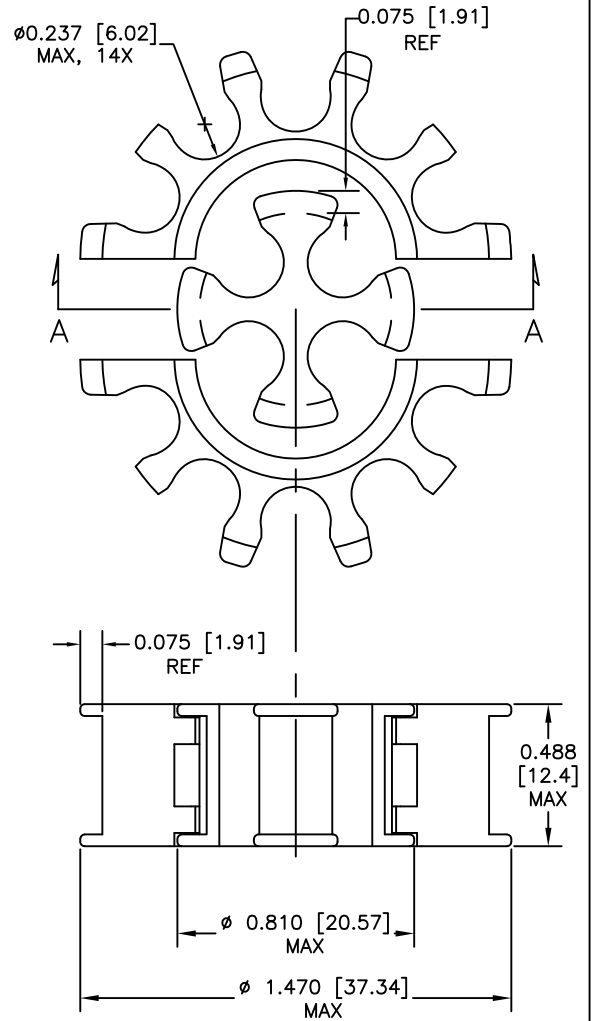
UNLESS OTHERWISE SPECIFIED, DIMENSIONS ARE IN INCHES. METRIC DIMENSIONS ARE IN BRACKETS AS REFERENCE.	DRAWN	DATE		CONNECTIVITY
	P. TALLY	02/16/2007		
	CHECKED	DATE		
TYCO ELECTRONICS RESERVES THE RIGHT TO CHANGE THIS DRAWING AT ANYTIME. USERS SHOULD EVALUATE THE SUITABILITY OF THE PRODUCT FOR THEIR APPLICATION.	M. PIOZET	02/16/2007	TITLE	STAR, MULTI-POSITION HEXASHIELD-F EMI TERMINATION SYSTEM
	APPROVED	DATE		
DECIMAL TOLERANCES: .XXX ±.010 [0,25mm] .XX ±.02 [0,51mm] .X ±.1 [2,54mm] ANGULAR TOLERANCE: .X ±1'	I. MYONG	08/14/2009	SIZE	REV
	CAD FILE NAME: FLX40-02X-XX.dwg		A	C
	THIRD ANGLE PROJECTION: 		CAGE	DWG. NO.
			06090	FLX40-02X-XX
			DO NOT SCALE THIS DRAWING	
			SHEET 1 OF 6	



9 POSITION



10 POSITION



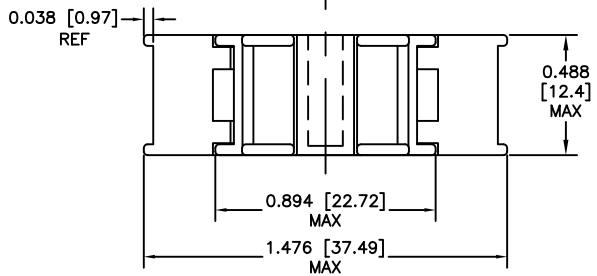
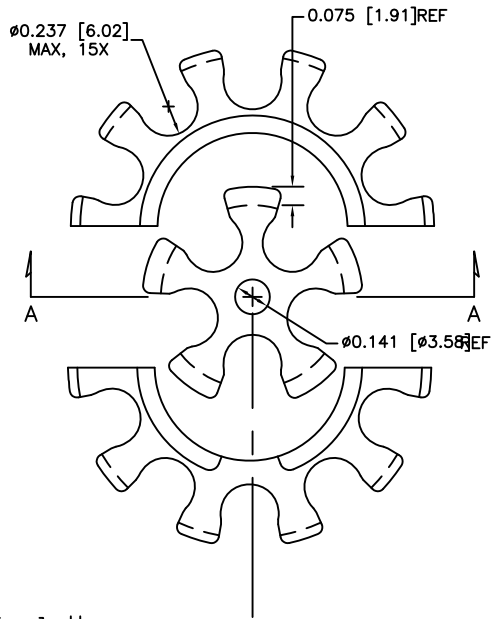
SECTION A-A

14 POSITION

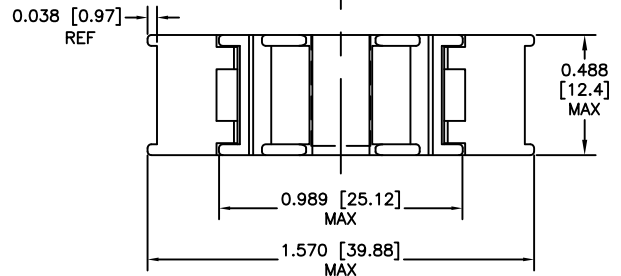
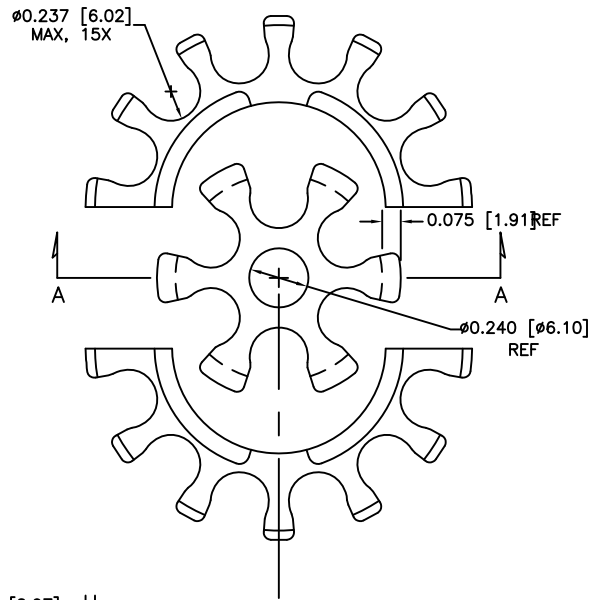
If this document is printed it becomes uncontrolled. Check for the latest revision

**Raychem Adapters
CUSTOMER DRAWING**

	DO NOT SCALE THIS DRAWING	SIZE	CAGE	SHEET	DWG. NO.	REV
		A	06090	2 OF 6	FLX40-02X-XX	C



SECTION A-A
15 POSITION



SECTION A-A
18 POSITION

If this document is printed it becomes uncontrolled. Check for the latest revision

**Raychem Adapters
CUSTOMER DRAWING**



DO NOT
SCALE THIS
DRAWING

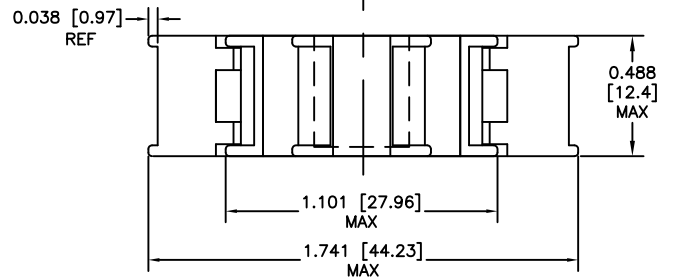
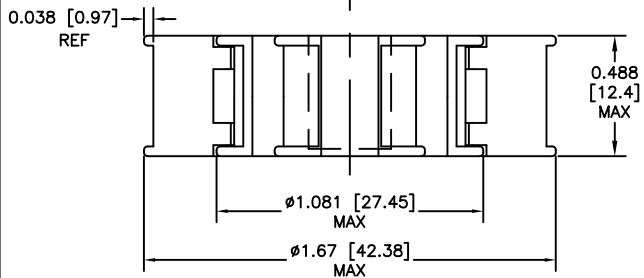
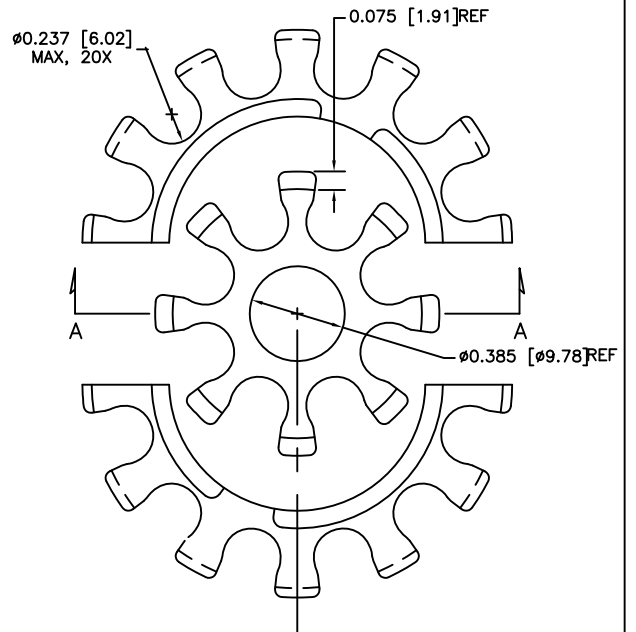
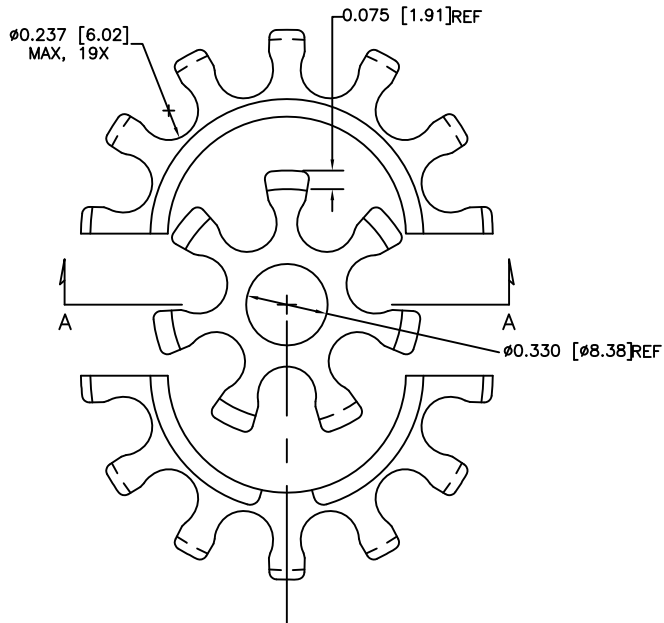
SIZE
A

CAGE
06090

SHEET
3 OF 6

DWG. NO.
FLX40-02X-XX

REV
C




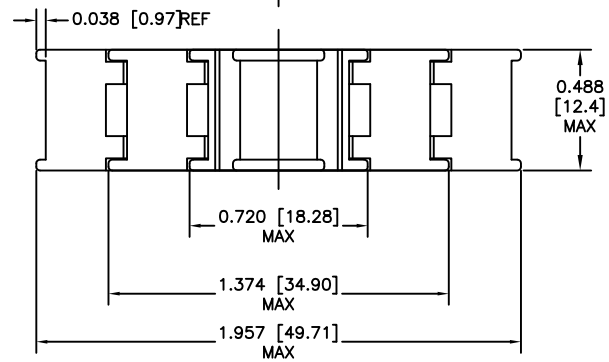
SECTION A-A
19 POSITION

SECTION A-A
20 POSITION

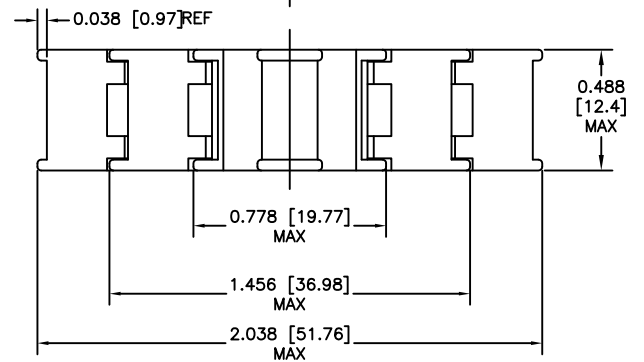
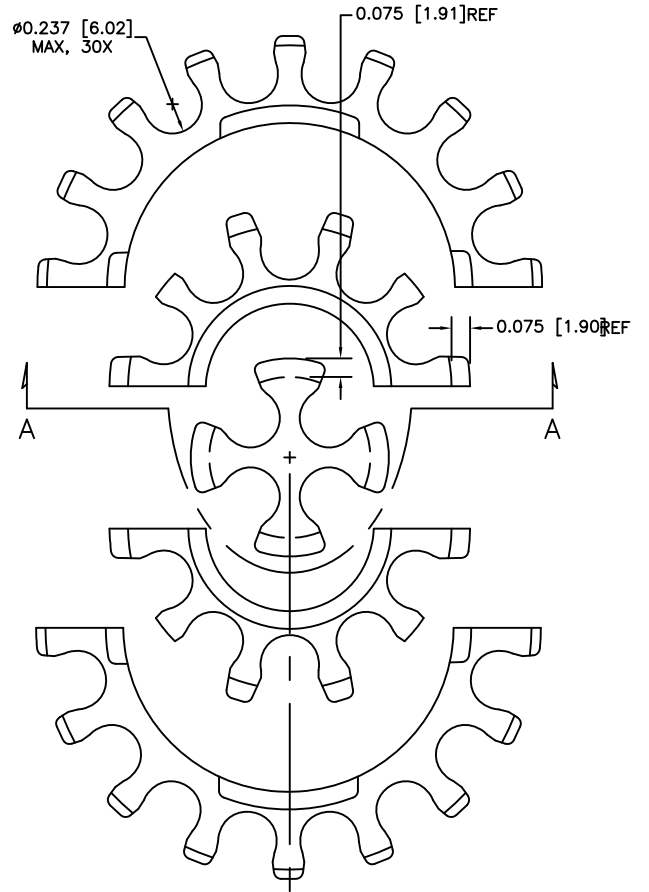
If this document is printed it becomes uncontrolled. Check for the latest revision

Raychem Adapters
CUSTOMER DRAWING

	DO NOT SCALE THIS DRAWING	SIZE	CAGE	SHEET	DWG. NO.	REV
		A	06090	4 OF 6	FLX40-02X-XX	C



SECTION A-A
25 POSITION



SECTION A-A
30 POSITION

If this document is printed it becomes uncontrolled. Check for the latest revision

Raychem Adapters
CUSTOMER DRAWING



DO NOT
SCALE THIS
DRAWING

SIZE
A

CAGE
06090

SHEET
5 OF 6

DWG. NO.
FLX40-02X-XX

REV
C

MATERIAL:

BASE METAL – ALUMINUM ALLOY 6061–T651 OR EN AW 2011–T3.

PLATINGS:

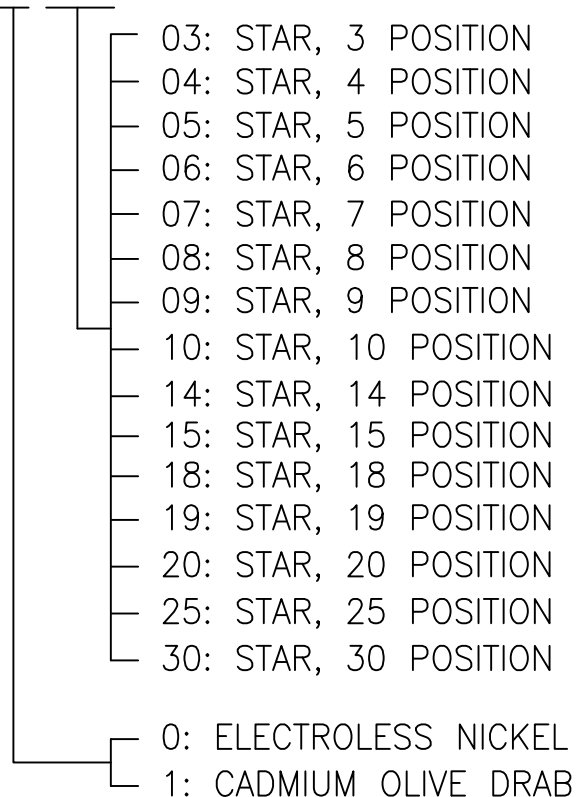
- ELECTROLESS NICKEL CONFORMING TO SAE AMS–C–26074,
CLASS 4, GRADE C.
- CADMIUM OLIVE OLIVE DRAB CONFORMING TO SAE AMS–QQ–P–416
TYPE III, CLASS 3 (500 HOUR SALT SPRAY).

APPLICATION:

1. THESE DEVICES ARE DESIGNED TO BE USED IN A HEXASHIELD–F
EMI TERMINATION SYSTEM.

PART NUMBERING:

FLX40-02X-XX



If this document is printed it becomes uncontrolled. Check for the latest revision

**Raychem Adapters
CUSTOMER DRAWING**



DO NOT
SCALE THIS
DRAWING

SIZE
A

CAGE
06090

SHEET
6 OF 6

DWG. NO.

FLX40-02X-XX

REV
C