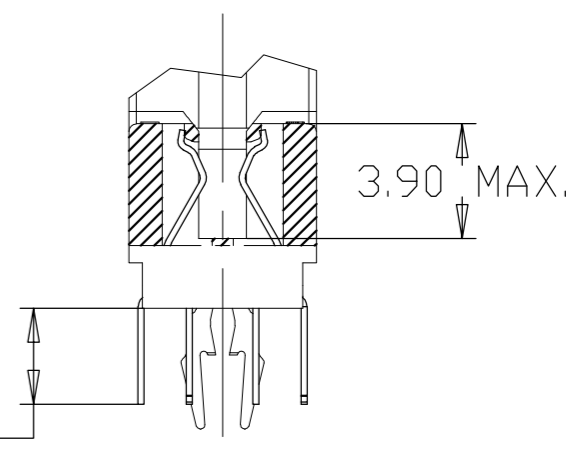
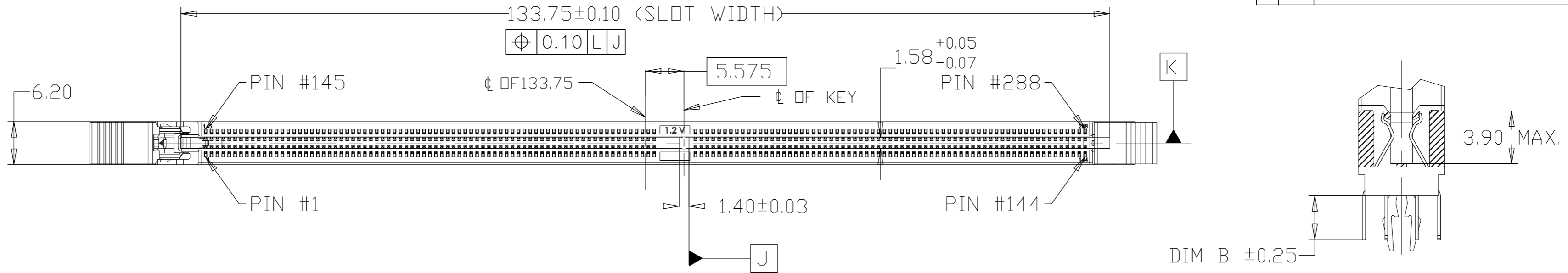
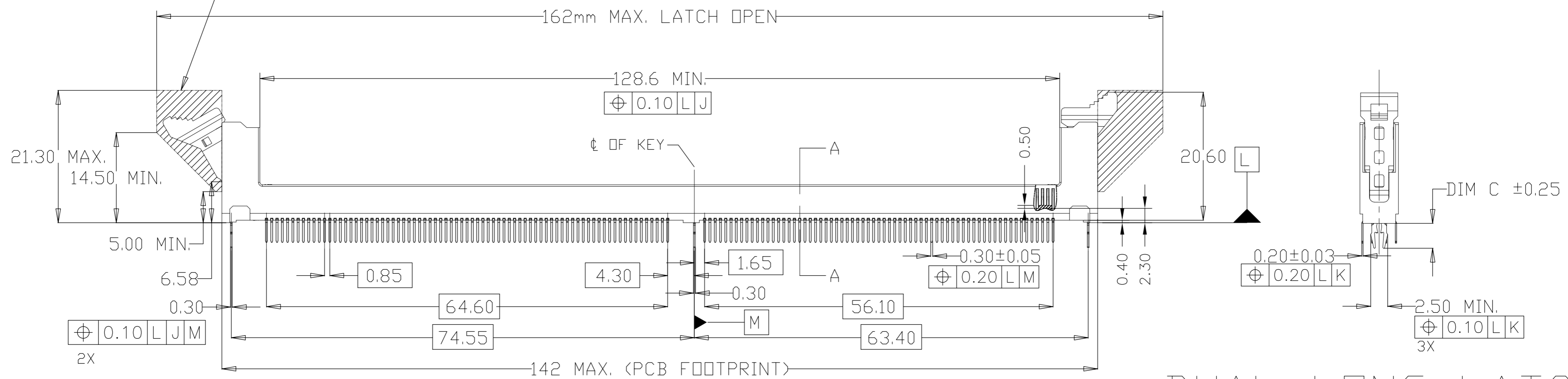


THIS DRAWING IS UNPUBLISHED. RELEASED FOR PUBLICATION
 © COPYRIGHT - By - ALL RIGHTS RESERVED.

LOC		DIST		REVISIONS			
P	LTR	DESCRIPTION		DATE	DWN	APVD	
B		REVISED PER ECR-16-002368		19FEB2016	D.Z	S.L	



COMPONENT KEEP OUT ZONE
 COMPONENT KEEP OUT ZONE



DUAL LONG LATCH

1 MATERIALS:

HOUSING: HIGH TEMPERATURE NYLON, UL94 V-0
 LATCH & CAP: HIGH TEMPERATURE THERMOPLASTIC, UL94 V-0
 CONTACTS: COPPER ALLOY
 RETENTION BARB: STAINLESS STEEL

2 INTERFACE FINISH:

(1) 0.00038 MIN THK GOLD OVER 0.00127 MIN THK NICKEL.
 (2) GOLD FLASH OVER 0.00127 MIN THK NICKEL.

3 SOLDER TAIL FINISH:

0.00300 MIN THK MATTE TIN OVER 0.00127 MIN THK NICKEL.

4 KEEP OUT ZONE.

5 KEEP OUT AREA RESERVED FOR SOCKET EXTRACTORS, BOTH ENDS.

6 FINISHED HOLE SIZE. 0.15 MAXIMUM ANNULAR RING.

7 LED LOCATION AS APPLICABLE PER CUSTOMER.

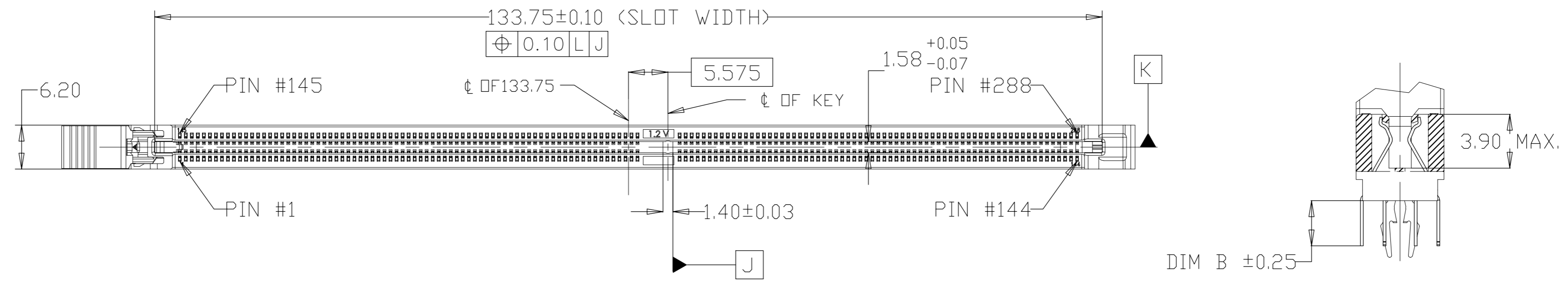
8 DATUM Z IS CONNECTOR SIDE SURFACE OF PCB.

NATURAL	GREEN (375C)	15u" MIN. (1)	4.00	2.40	2199188-9
NATURAL	NATURAL	G/F	4.00	2.40	2199188-6
NATURAL	BLACK		4.00	2.40	2199188-5
NATURAL	BLUE(661C)	15u" MIN. (1)	4.00	2.40	2199188-4
BLACK	BLACK		4.00	2.40	2199188-3
EXTRACTOR COLOR	HOUSING COLOR	CONTACT GOLD INTERFACE	DIM C	DIM B	PART NUMBER

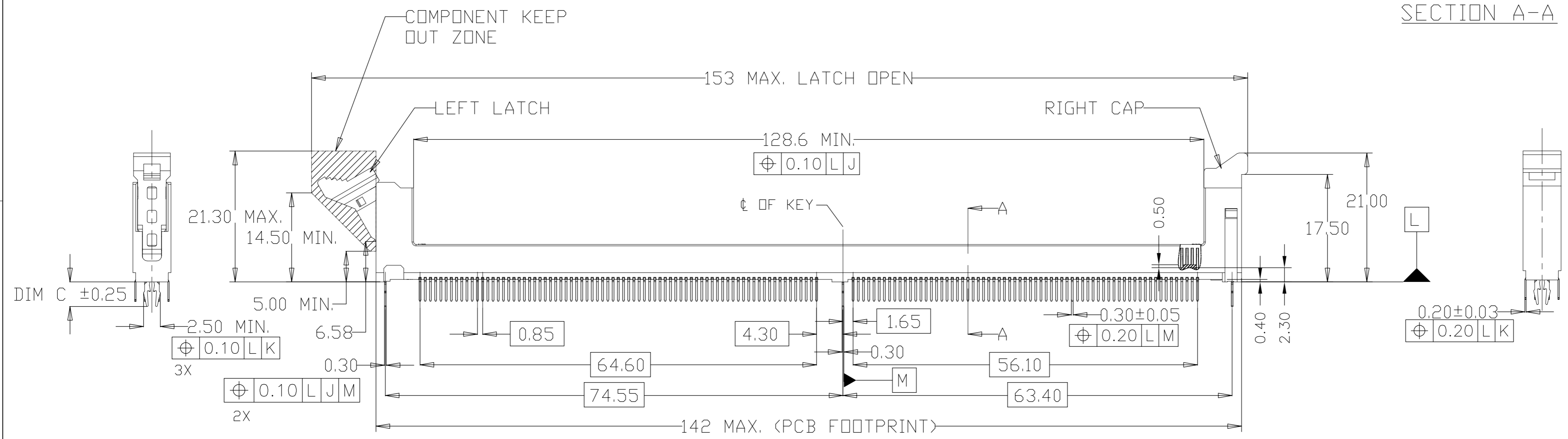
THIS DRAWING IS A CONTROLLED DOCUMENT.		DWN RICHARD MA 19JUL2013			
DIMENSIONS: mm		CHK SIMON LI 19JUL2013			
TOLERANCES UNLESS OTHERWISE SPECIFIED:		APVD COREL WANG 19JUL2013	NAME		
0 PLC ± -		PRODUCT SPEC	108-115076		
1 PLC ± 0.25		APPLICATION SPEC	SOCKET ASSEMBLY		
2 PLC ± 0.15			DDR4 DIMM,T/H TYPE		
3 PLC ± -0.10			288 POSITION		
4 PLC ± -			SIZE	CAGE CODE	DRAWING NO
ANGLES ± -		WEIGHT	A2	00779	C=2199188
FINISH		CUSTOMER DRAWING	SCALE	SHEET	REV
			1:1	1 of 6	B

THIS DRAWING IS UNPUBLISHED. RELEASED FOR PUBLICATION
 © COPYRIGHT - By - ALL RIGHTS RESERVED.

LOC		DIST		REVISIONS			
P	LTR	DESCRIPTION	DATE	DWN	APVD		
-	-	SEE SHEET 1	-	-	-		



SECTION A-A



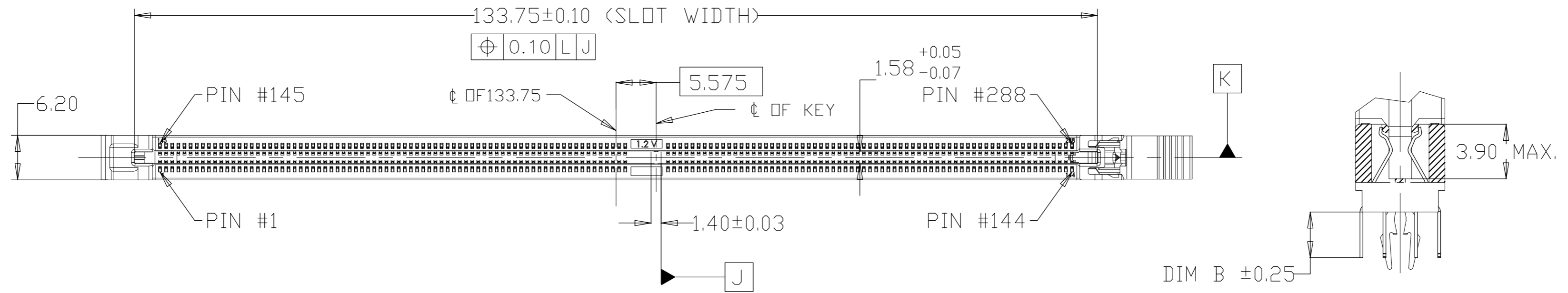
LEFT LONG LATCH

NATURAL	NATURAL	BLUE(661C) BLACK	15u" MIN. (1)	4.00	2.67	1-2199188-2
CAP COLOR	EXTRACTOR COLOR	HOUSING COLOR	CONTACT GOLD INTERFACE	DIM C	DIM B	PART NUMBER
				4.00	2.67	1-2199188-1

THIS DRAWING IS A CONTROLLED DOCUMENT.		DWN RICHARD MA 19JUL2013	TE Connectivity	
DIMENSIONS: mm		CHK SIMON LI 19JUL2013		
TOLERANCES UNLESS OTHERWISE SPECIFIED:		APVD COREL WANG 19JUL2013	NAME	
0 PLC ± -		PRODUCT SPEC	SOCKET ASSEMBLY	
1 PLC ± 0.25		APPLICATION SPEC	DDR4 DIMM,T/H TYPE	
2 PLC ± 0.15		108-115076	288 POSITION	
3 PLC ± -0.10		-	SIZE A2	CAGE CODE 00779
4 PLC ± -		WEIGHT -	DRAWING NO C=2199188	RESTRICTED TO -
ANGLES ± -		CUSTOMER DRAWING	SCALE 1:1	SHEET 2 of 6
FINISH -				REV B

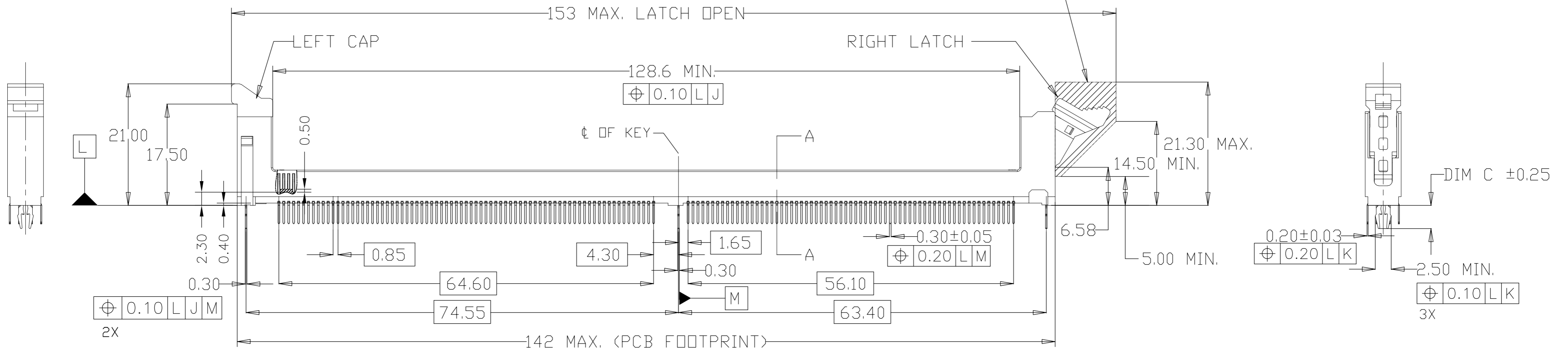
THIS DRAWING IS UNPUBLISHED. RELEASED FOR PUBLICATION
 © COPYRIGHT - By - ALL RIGHTS RESERVED.

LOC		DIST		REVISIONS			
P	LTR	DESCRIPTION	DATE	DWN	APVD		
-	-	SEE SHEET 1	-	-	-		



COMPONENT KEEP OUT ZONE

SECTION A-A



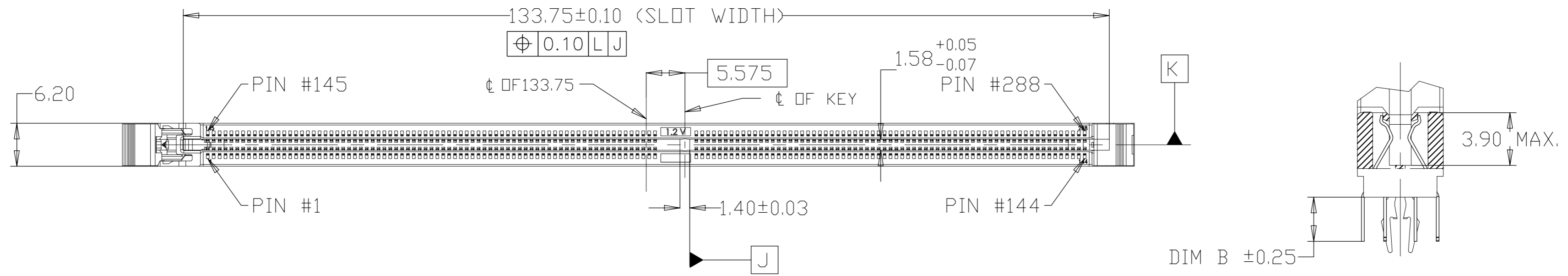
RIGHT LONG LATCH

NATURAL	NATURAL	BLUE(661C) BLACK	15u" MIN. (1)	4.00	2.67	2-2199188-2
CAP COLOR	EXTRACTOR COLOR	HOUSING COLOR	CONTACT GOLD INTERFACE	DIM C	DIM B	PART NUMBER
				4.00	2.67	2-2199188-1

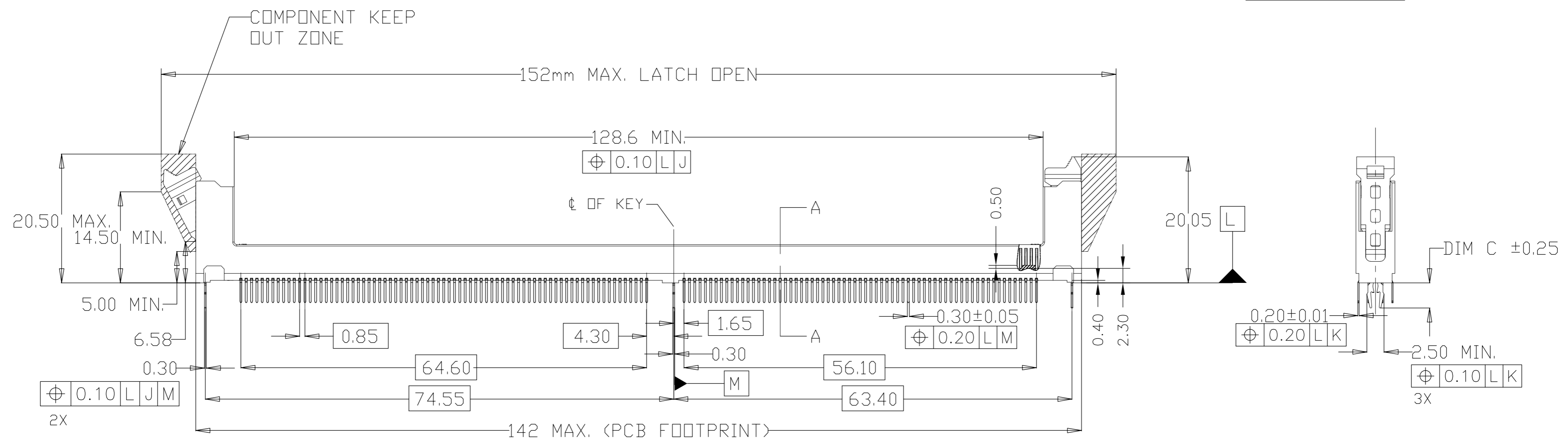
THIS DRAWING IS A CONTROLLED DOCUMENT.		DWN RICHARD MA 19JUL2013	TE Connectivity			
DIMENSIONS: mm		CHK SIMON LI 19JUL2013				
TOLERANCES UNLESS OTHERWISE SPECIFIED:		APVD COREL WANG 19JUL2013	NAME			
0 PLC ± -		PRODUCT SPEC	SOCKET ASSEMBLY			
1 PLC ± 0.25		APPLICATION SPEC	DDR4 DIMM,T/H TYPE			
2 PLC ± 0.15			288 POSITION			
3 PLC ± -0.10			SIZE	CAGE CODE	DRAWING NO	RESTRICTED TO
4 PLC ± -			A2	00779	C=2199188	-
ANGLES ± -			SCALE 1:1 SHEET 3 of 6 REV B			
FINISH			CUSTOMER DRAWING			

THIS DRAWING IS UNPUBLISHED. RELEASED FOR PUBLICATION
 © COPYRIGHT - By - ALL RIGHTS RESERVED.

LOC		DIST		REVISIONS			
P	LTR	DESCRIPTION		DATE	DWN	APVD	
-	-	SEE SHEET 1		-	-	-	



SECTION A-A



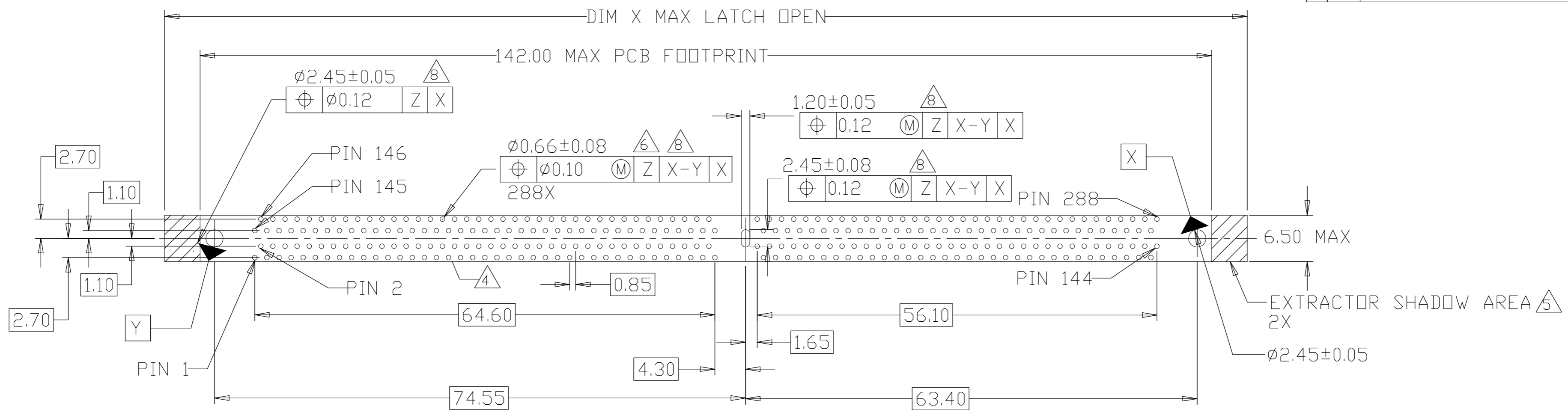
DUAL SHORT LATCH

BLACK	BLACK	15u" MIN. (1)	4.00	2.67	3-2199188-2
NATURAL	NATURAL		4.00	2.67	3-2199188-1
NATURAL	BLUE(661C)		4.00	2.67	2199188-2
	BLACK		4.00	2.67	2199188-1
EXTRACTOR COLOR	HOUSING COLOR	CONTACT GOLD INTERFACE (2)	DIM C	DIM B	PART NUMBER

THIS DRAWING IS A CONTROLLED DOCUMENT.		DWN RICHARD MA 19JUL2013			
		CHK SIMON LI 19JUL2013			
		APVD COREL WANG 19JUL2013	NAME		
		PRODUCT SPEC 108-115076	SOCKET ASSEMBLY		
		APPLICATION SPEC	DDR4 DIMM,T/H TYPE		
			288 POSITION		
		WEIGHT -	SIZE A2	CAGE CODE 00779	DRAWING NO C=2199188
		CUSTOMER DRAWING	SCALE 1:1	SHEET 4 of 6	REV B

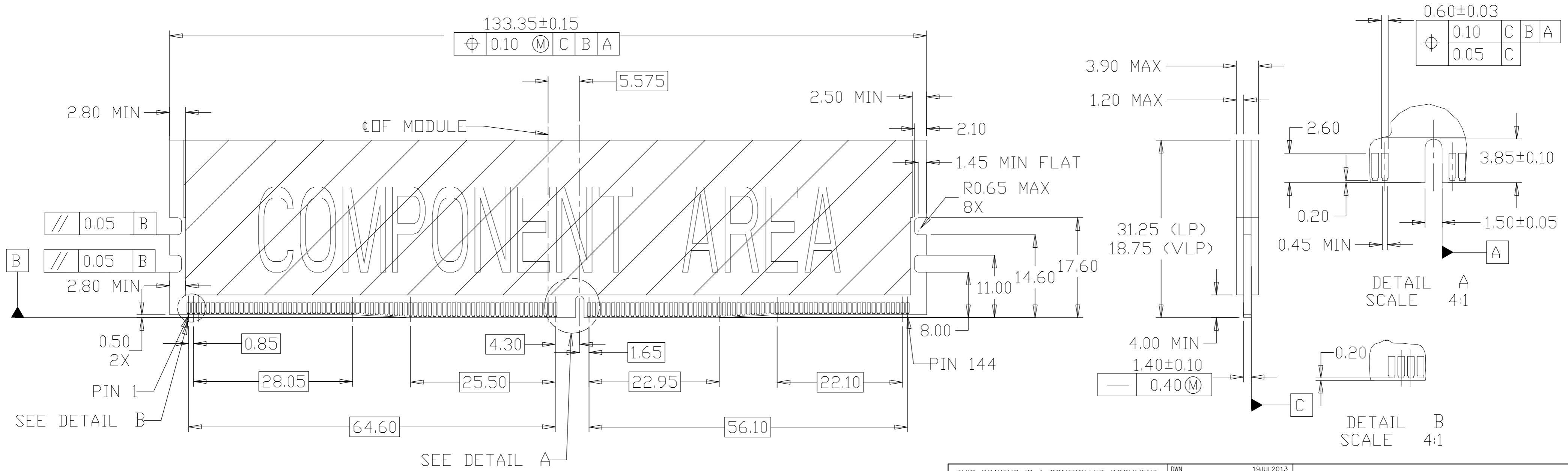
THIS DRAWING IS UNPUBLISHED. RELEASED FOR PUBLICATION
 © COPYRIGHT - By - ALL RIGHTS RESERVED.

LOC		DIST		REVISIONS			
P	LTR	DESCRIPTION	DATE	DWN	APVD		
-	-	SEE SHEET 1	-	-	-		



RECOMMENDED PCB LAYOUT

VIEWED FROM CONNECTOR SIDE

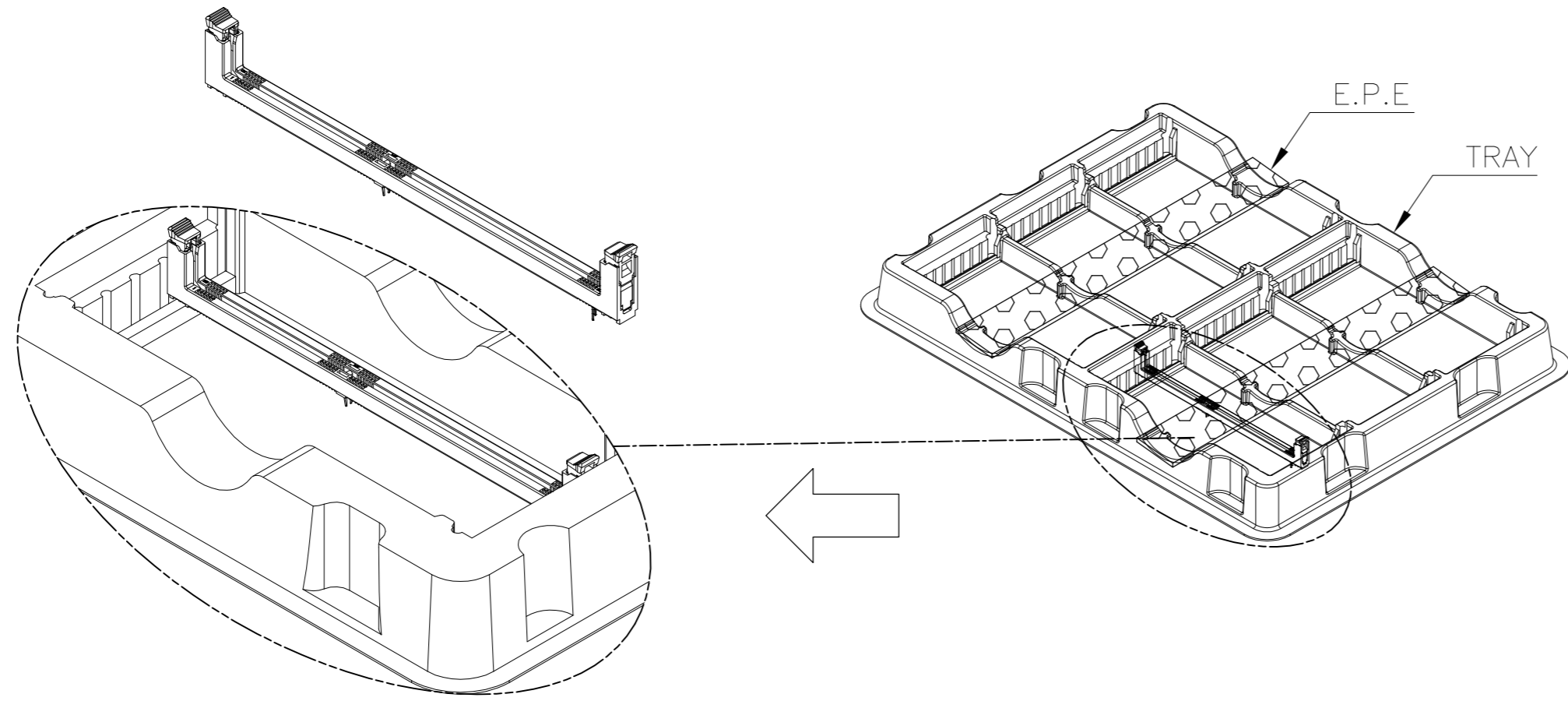


RECOMMENDED MODULE LAYOUT

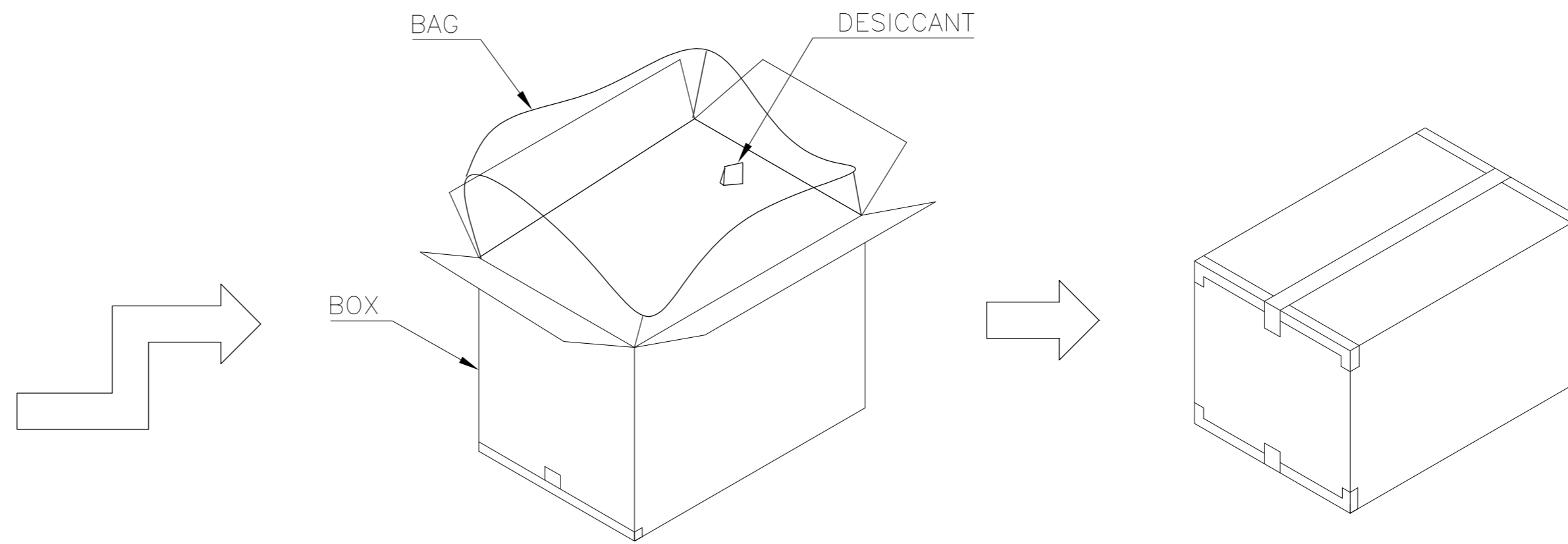
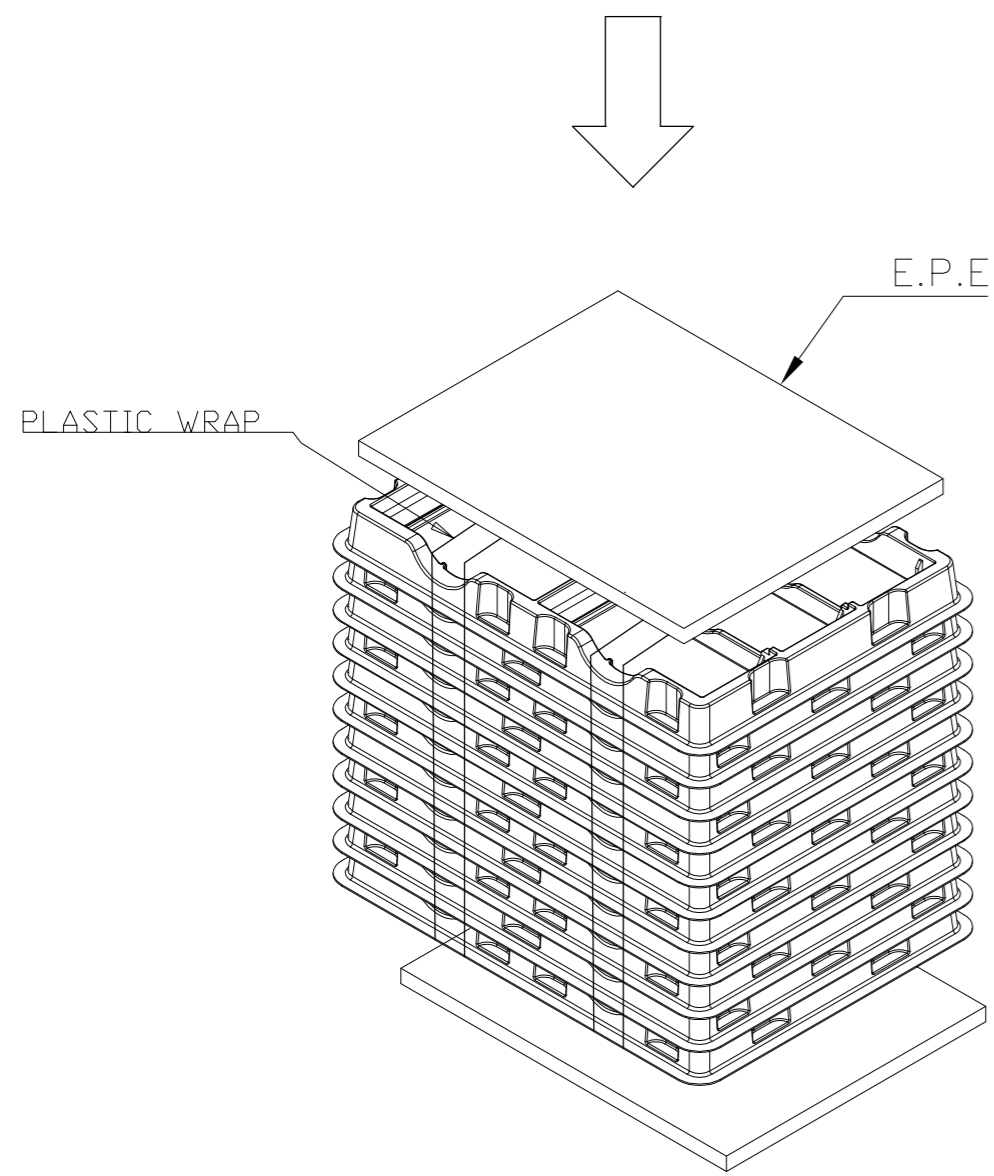
THIS DRAWING IS A CONTROLLED DOCUMENT.		DWN RICHARD MA 19JUL2013	TE Connectivity	
		CHK SIMON LI 19JUL2013		
		APVD COREL WANG 19JUL2013	NAME	
		PRODUCT SPEC 108-115076	SOCKET ASSEMBLY	
		APPLICATION SPEC	DDR4 DIMM,T/H TYPE	
			288 POSITION	
		WEIGHT -	SIZE A2	RESTRICTED TO -
		CUSTOMER DRAWING	CAGE CODE 00779	
			DRAWING NO C=2199188	
			SCALE 1:1	
			SHEET 5 of 6	
			REV B	

THIS DRAWING IS UNPUBLISHED. RELEASED FOR PUBLICATION
 © COPYRIGHT - By - ALL RIGHTS RESERVED.

LOC		DIST		REVISIONS			
P	LTR	DESCRIPTION		DATE	DWN	APVD	
-	-	SEE SHEET 1		-	-	-	



1. MATERIALS :
 TRAY: PVC, COLOR: TRANSPARENT.
 BOX: CORRUGATED FIBERBOARD
 TRANSPARENT BAG: PE
2. DIMENSIONS:
 TRAY: L=372;W=280;H=30.5
 BOX: L=400;W=320;H=350
3. QUANTITY:
 10 PCS/TRAY
 540 PCS/BOX
4. WEIGHT:
 NET WEIGHT:4.1KG
 GROSS WEIGHT:6.1KG



THIS DRAWING IS A CONTROLLED DOCUMENT.		DWN	RICHARD MA	19JUL2013		TE Connectivity		
DIMENSIONS:		CHK	SIMON LI	19JUL2013		NAME		
mm		APVD	COREL WANG	19JUL2013		SOCKET ASSEMBLY		
		PRODUCT SPEC	108-115076			DDR4 DIMM,T/H TYPE		
TOLERANCES UNLESS OTHERWISE SPECIFIED:		APPLICATION SPEC	-		SIZE	CAGE CODE	DRAWING NO	RESTRICTED TO
0 PLC	± -	WEIGHT	-		A2	00779	C=2199188	-
1 PLC	± 0.25	CUSTOMER DRAWING		SCALE	1:1	SHEET	6 OF 6	REV
2 PLC	± 0.15							B
3 PLC	± -0.10							
4 PLC	± -							
ANGLES	± -							
MATERIAL	-							
FINISH	-							