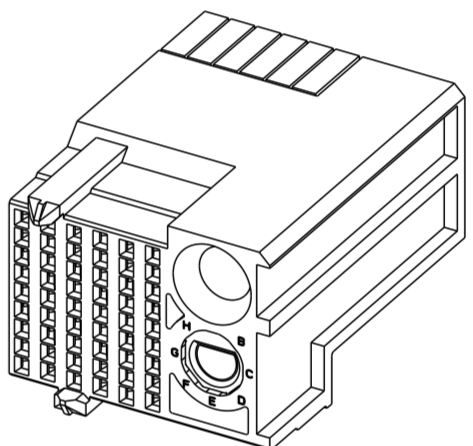
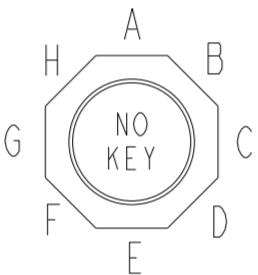
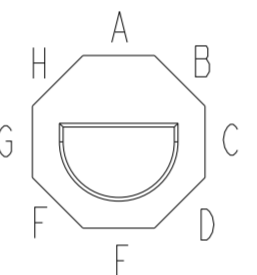
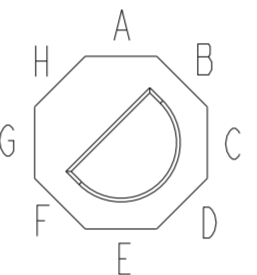
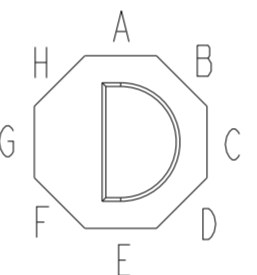
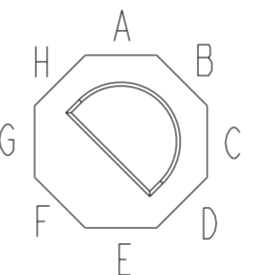
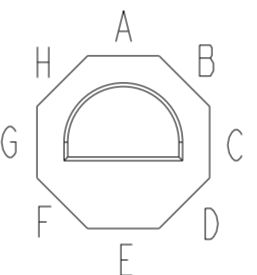
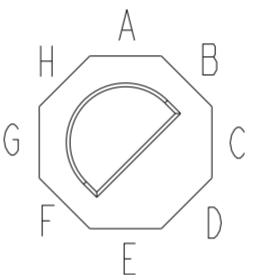
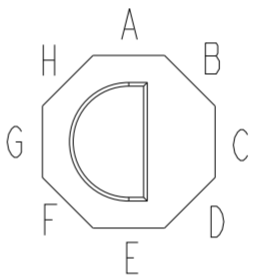
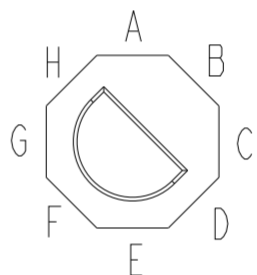
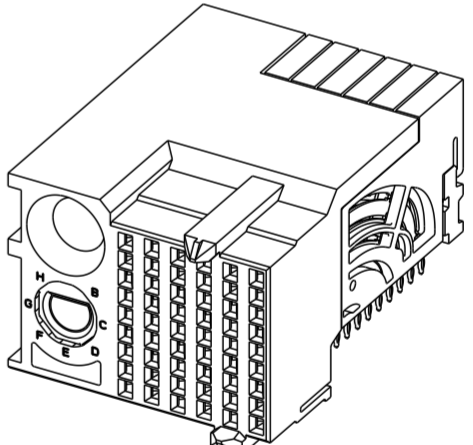
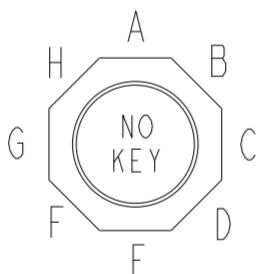
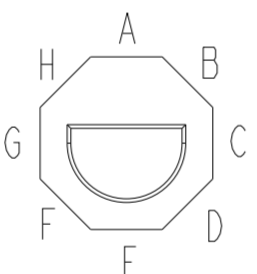
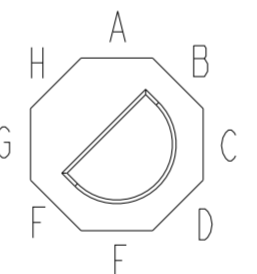
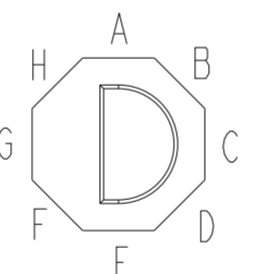
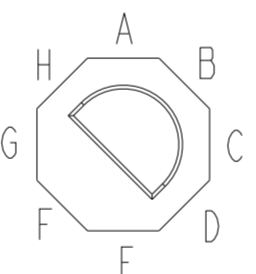
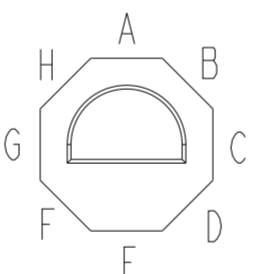
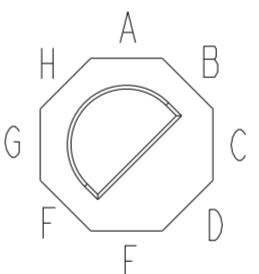
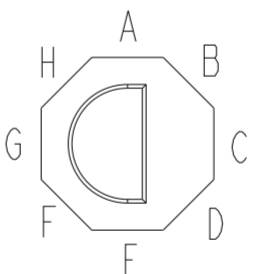
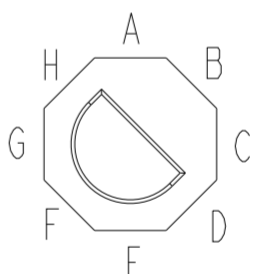


10124352 - 10X LF

LEAD-FREE DESIGNATION ONLY WITH APPLICABLE PLATING CODES

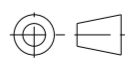

SEE NOTE 2

LETTER DESIGNATION REPRESENTED IN DASH NUMBER

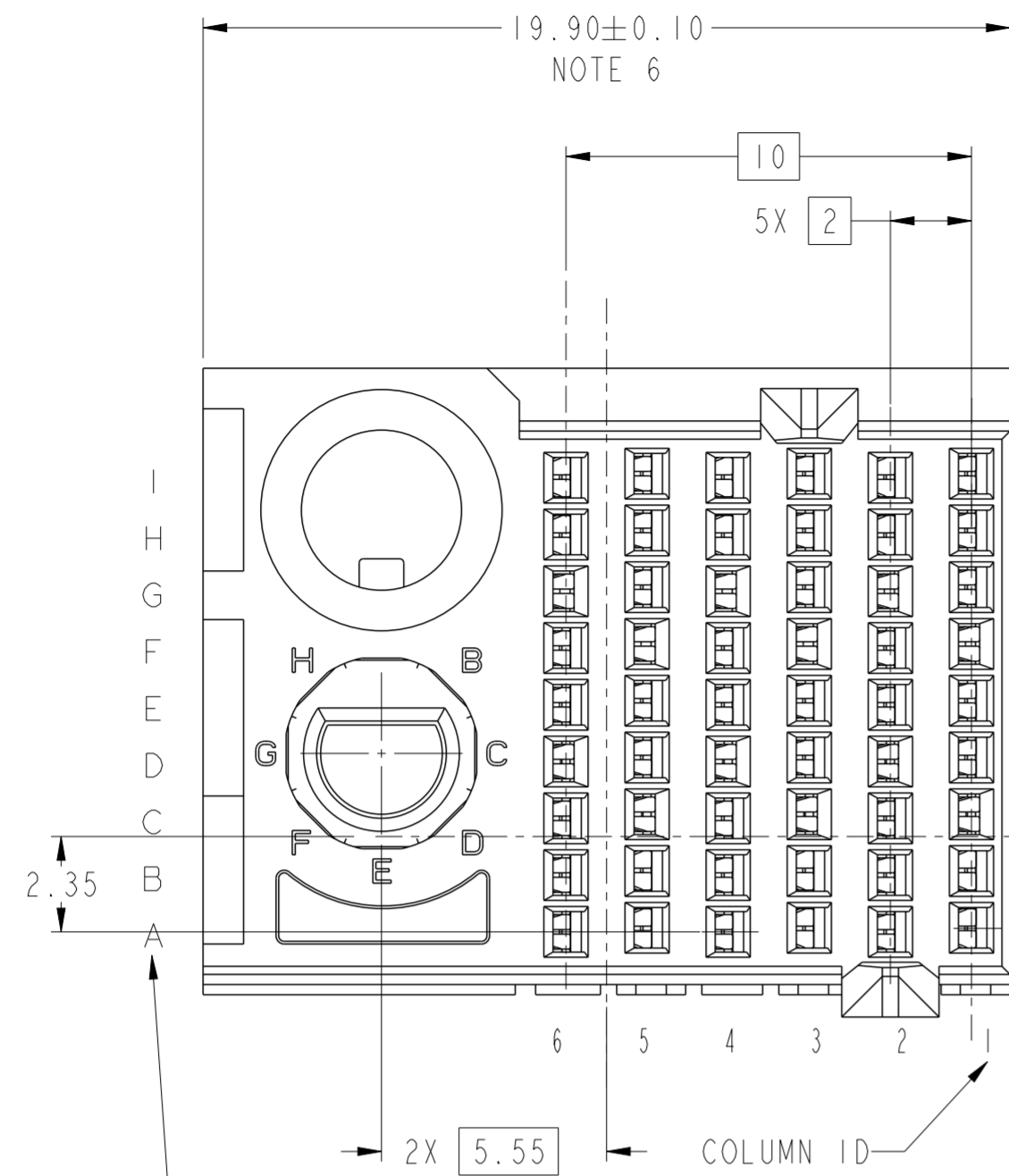
MODULE DESCRIPTION	LETTER DESIGNATION REPRESENTED IN DASH NUMBER										BASE MODULE
LEFT POLARIZING GUIDANCE MODULE (SEE SHEET 3)	<b>N</b>	<b>J</b> (NO KEY)	<b>A</b>	<b>B</b>	<b>C</b>	<b>D</b>	<b>E</b>	<b>F</b>	<b>G</b>	<b>H</b>	
	NO KEY NO GUIDE PIN										
RIGHT POLARIZING GUIDANCE MODULE (SEE SHEET 2)	<b>Z</b>	<b>Y</b> (NO KEY)	<b>P</b>	<b>Q</b>	<b>R</b>	<b>S</b>	<b>T</b>	<b>U</b>	<b>V</b>	<b>W</b>	
	NO KEY NO GUIDE PIN										



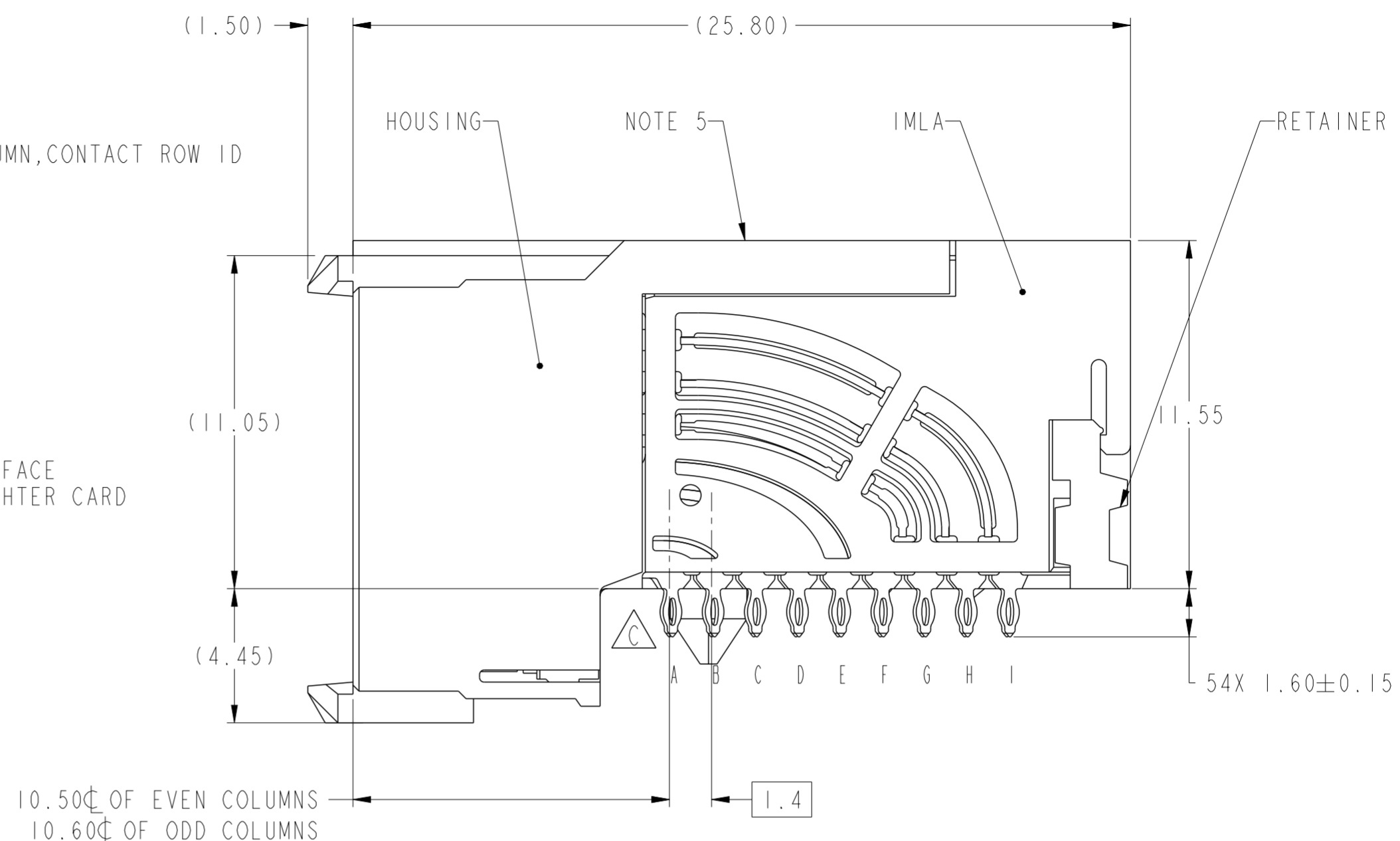
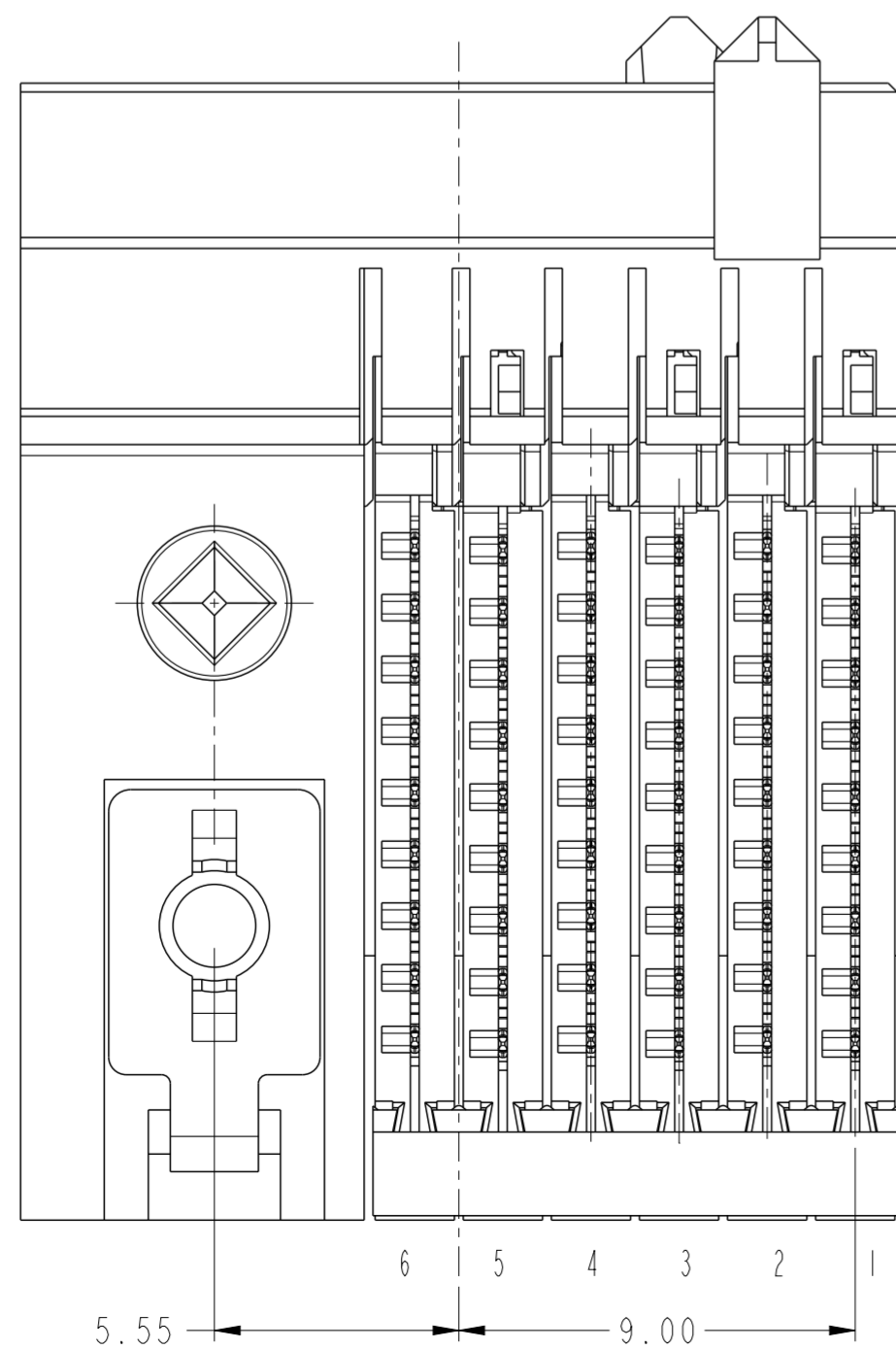
Copyright FCI.

spec ref	---	dr	A.P. Sawant	2013/02/28	projection	MM	size	A2	scale	8:1		
tolerance std	ASME Y14.5M	eng	Jackie Chen	2015/02/06		←→	ecn no	ELX-DG-20165-1				
TOLERANCES UNLESS OTHERWISE SPECIFIED		chr	-	appr				Collins Lu	2015/02/06	product family	AirMax VS2	rel level
surface	✓	linear	0.X	±.3		title	AIRMAX VS2 R.A. RECEPTACLE			rev	C	
			0.XX	±.15			cat. no.	-	Product - Customer Drw			sheet 1 of 4
			0.XXX	±.050								
angular	0°	±°	www.fci.com		-		-		-			

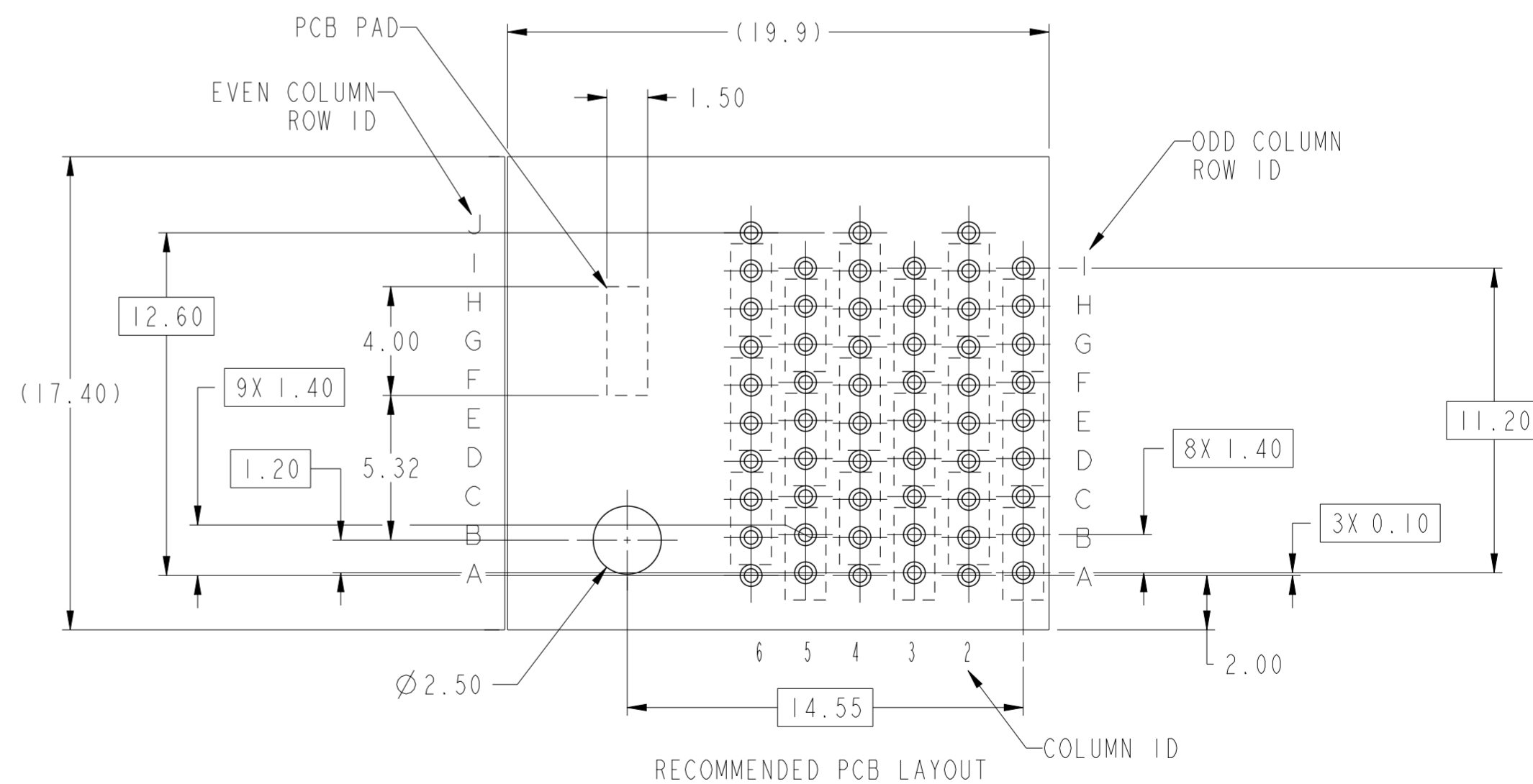
RIGHT POLARIZATION WITH GUIDE



EVEN COLUMN, CONTACT ROW ID  
ODD AND EVEN COLUMNS ARE OFFSET



10.50  $\phi$  OF EVEN COLUMNS  
10.60  $\phi$  OF ODD COLUMNS



RECOMMENDED PCB LAYOUT

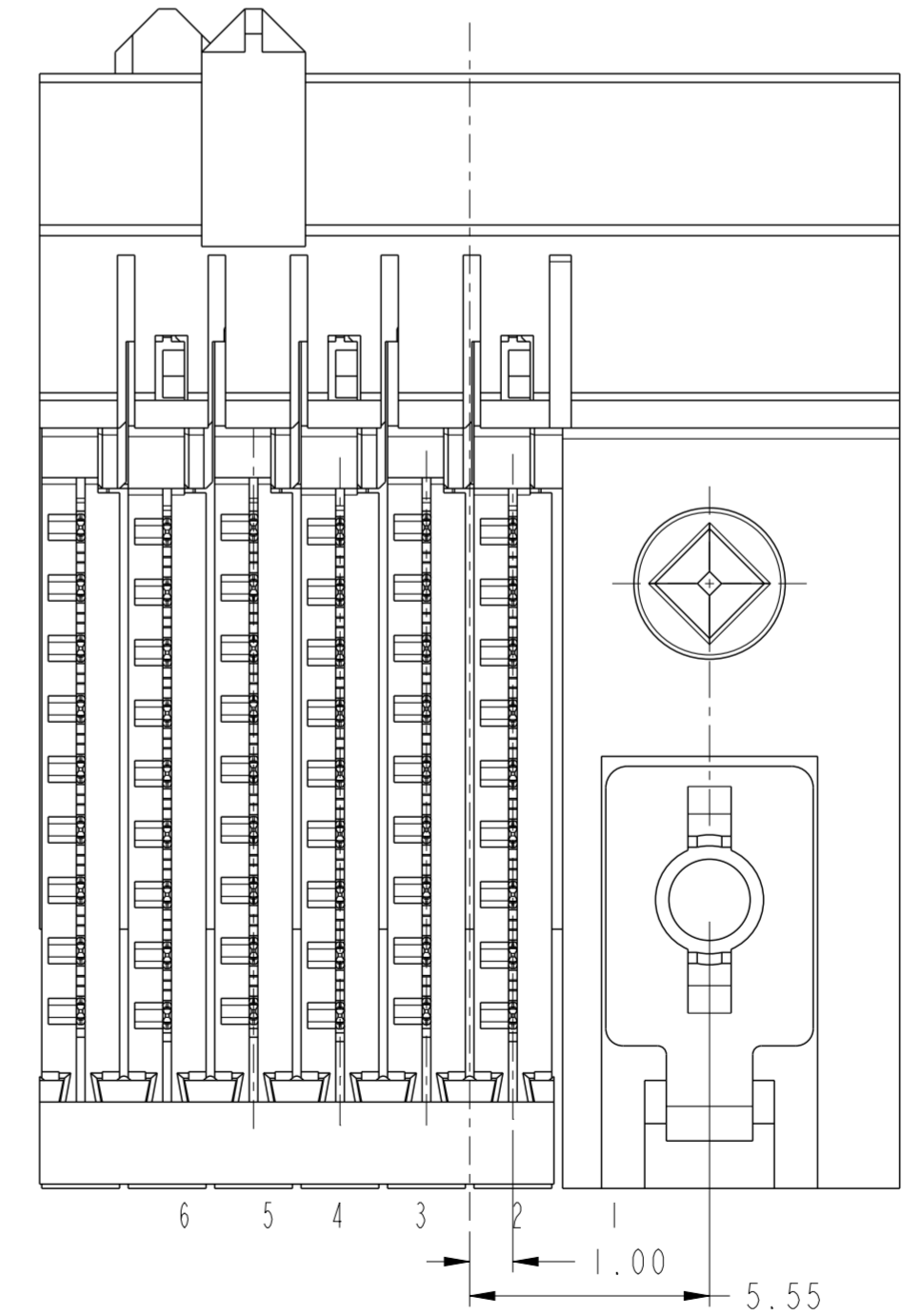
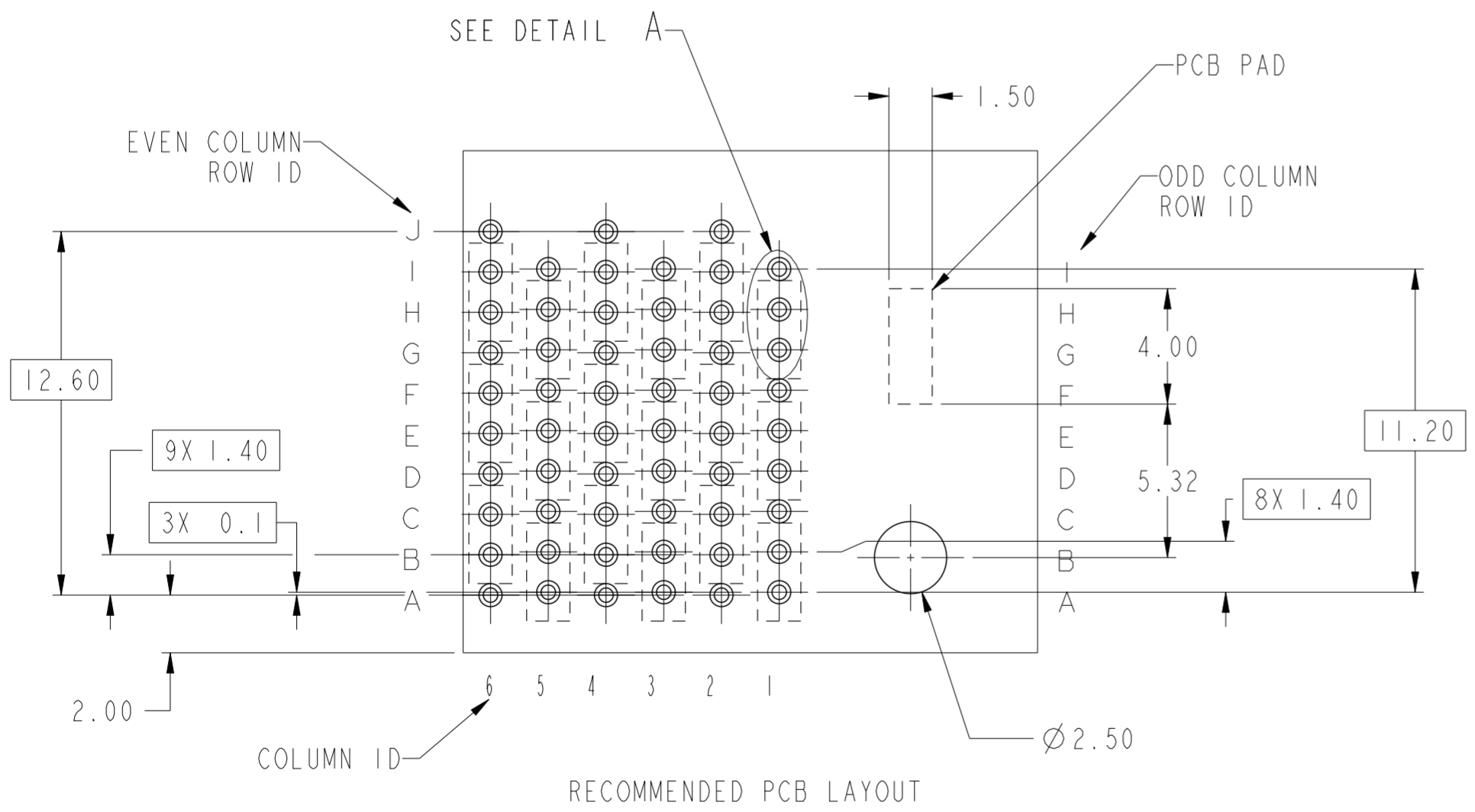
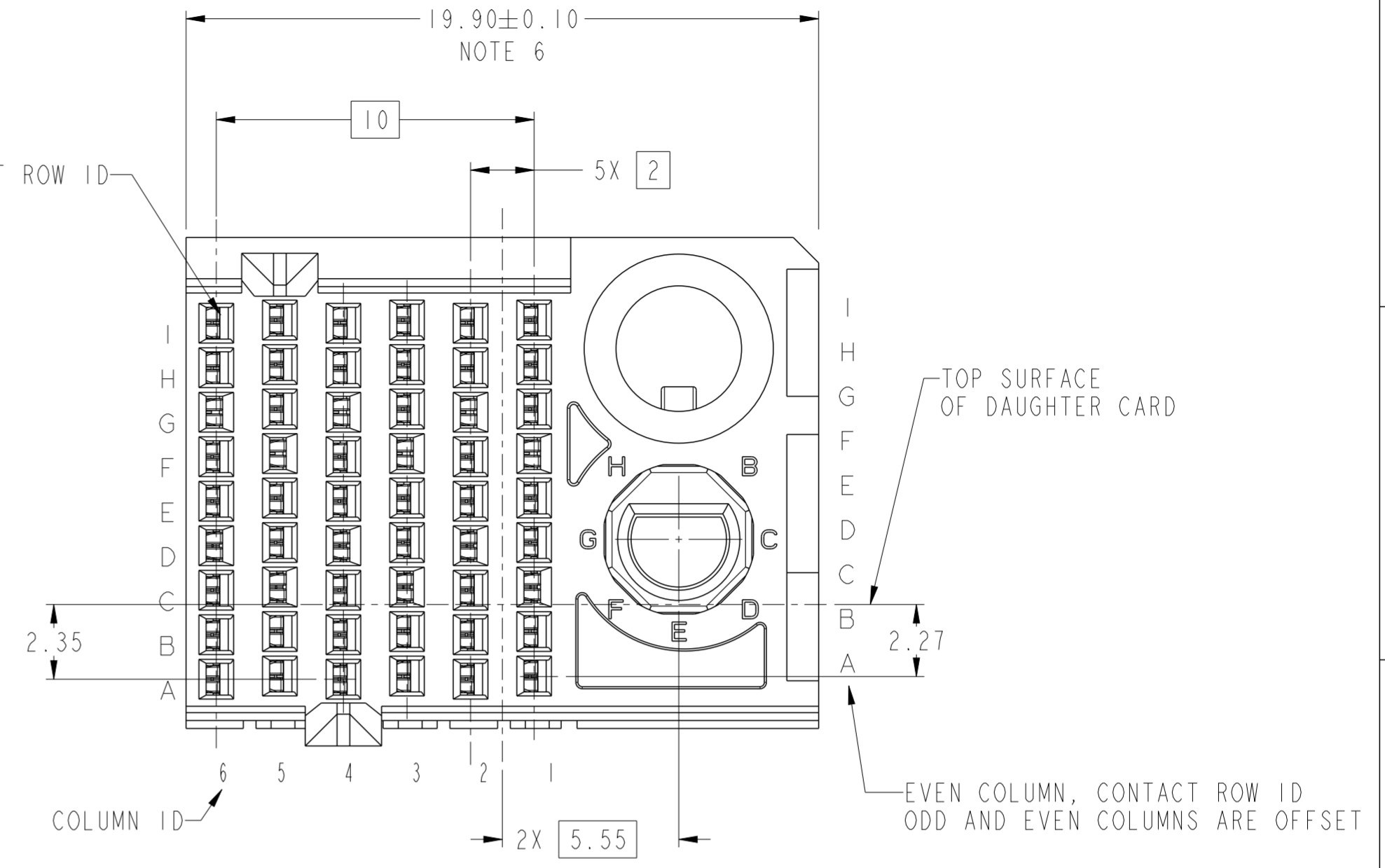
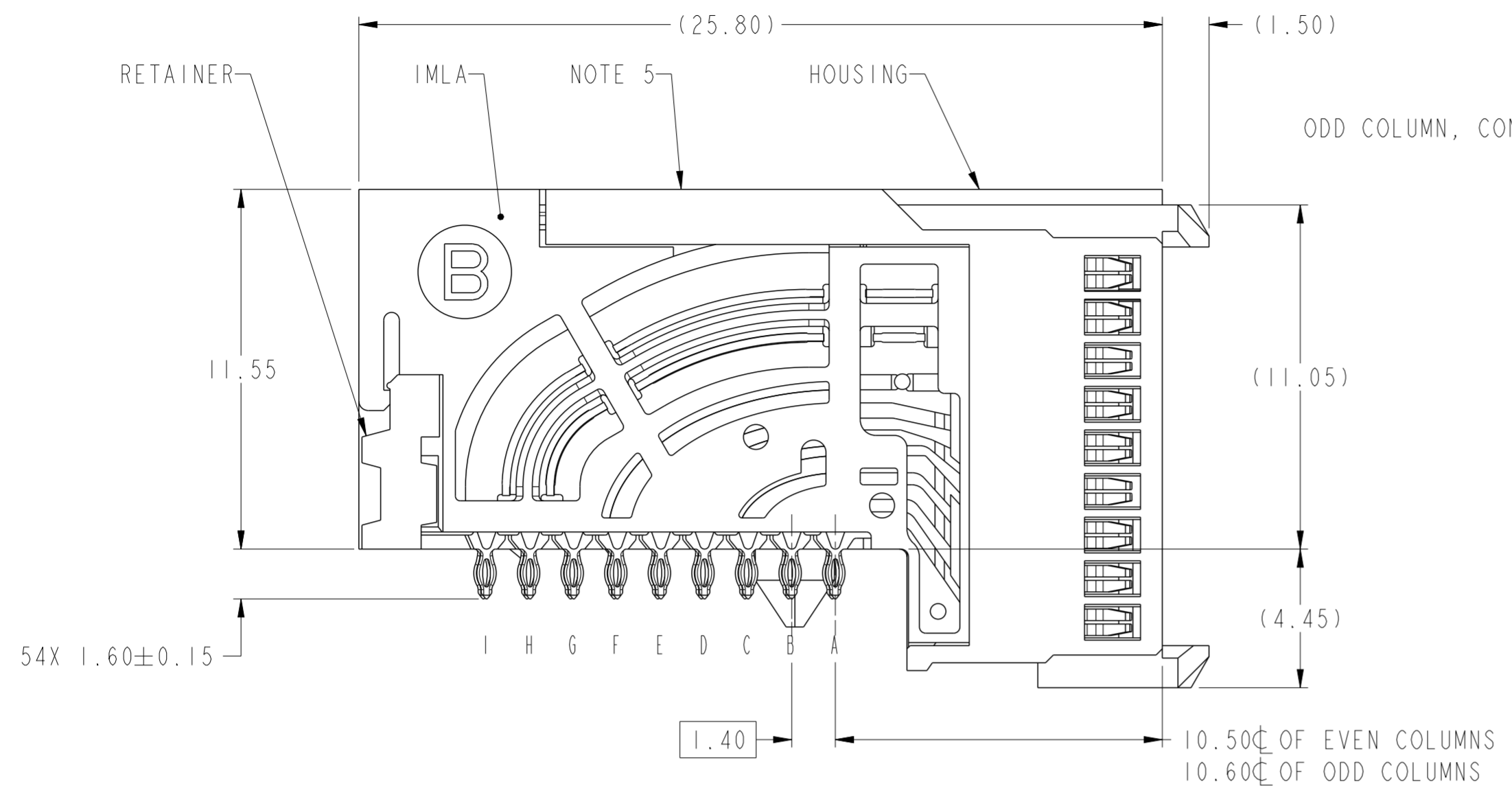
spec ref	---	dr	A.P. Sawant	2013/02/28	projection	MM	size	A2	scale	6:1		
tolerance std	ASME Y14.5M	eng	Jackie Chen	2015/02/06			ecn no	ELX-DG-20165-1	rel level	Released		
TOLERANCES UNLESS OTHERWISE SPECIFIED		chr	-	app							Collins Lu	2015/02/06
surface	✓	linear	0.X	$\pm .3$		<b>AIRMAX VS2 R.A. RECEPTACLE</b> ASS'Y, 3 PAIR, 54 POS, 6 IMLA, 20MM, W/GUIDE/KEY	drawing no 10124352	rev C	www.fci.com	cat. no.		
			0.XX	$\pm .15$							Product - Customer Draw	sheet 2 of 4
			0.XXX	$\pm .050$								
		angular	0°	$\pm$								

PDS: Rev :C

STATUS:Released

Printed: Feb 06, 2015

LEFT POLARIZATION WITH GUIDE

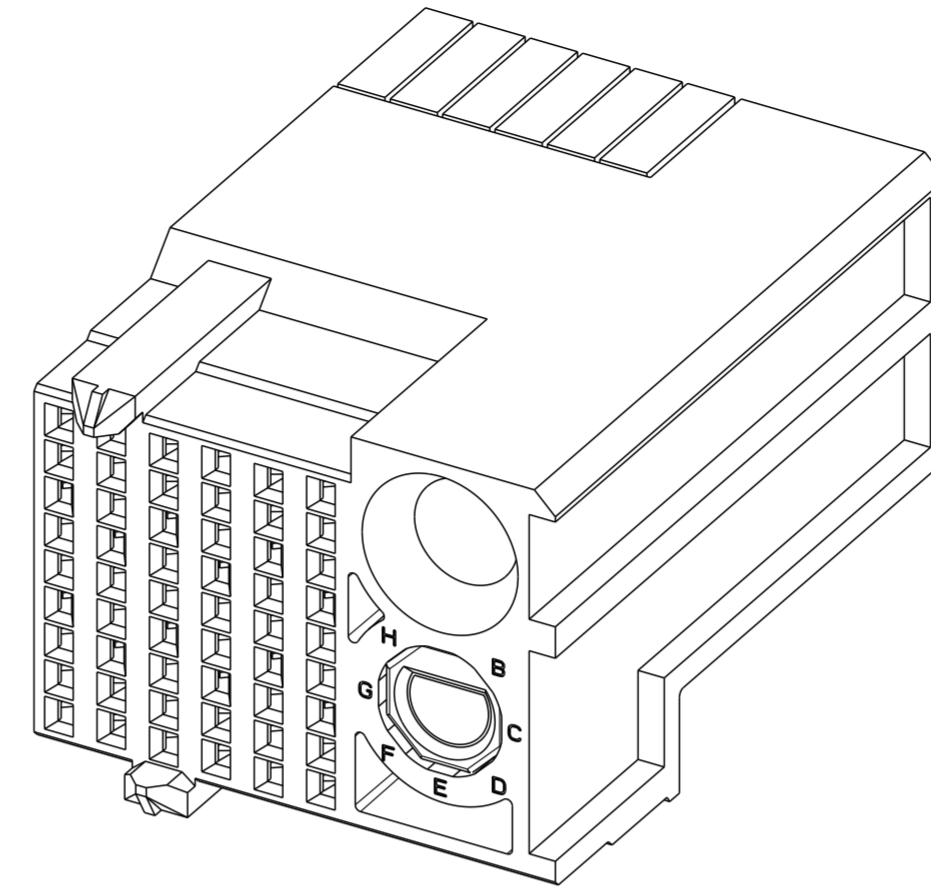


spec ref	---	dr	A.P. Sawath	2013/02/28	projection	MM	size	A2	scale	8:1
tolerance std	ASME Y14.5M	eng	Jackie Chen	2015/02/06	chr	-	ecn no	ELX-DG-20165-1	rel level	Released
surface	✓	appr	Collins Lu	2015/02/06	product family	AIRMAX VS2	title	AIRMAX VS2 R.A. RECEPTACLE	dwg no	10124352
	linear							ASS'Y, 3 PAIR, 54 POS, 6 IMLA, 20MM, W/GUIDE/KEY	rev	C
	angular	0°	±°	www.fci.com	cat. no.	-	Product - Customer Drw	sheet 3 of 4		

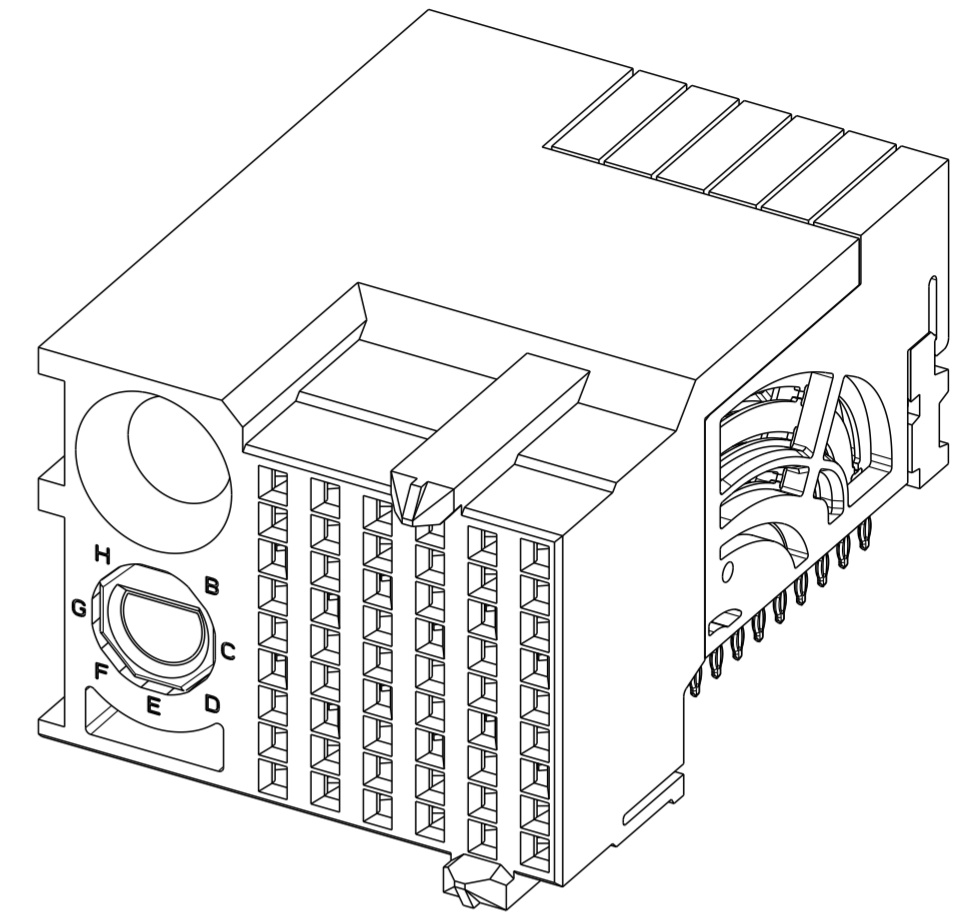
Copyright FCI. FCI

PRODUCT NUMBER	PRESS-FIT TAIL PLATING TYPE
10124352-10A	TIN/LEAD ALLOY OVER NICKEL
10124352-10ALF	TIN OVER NICKEL (LEAD FREE)
10124352-10P	TIN/LEAD ALLOY OVER NICKEL
10124352-10PLF	TIN OVER NICKEL (LEAD FREE)

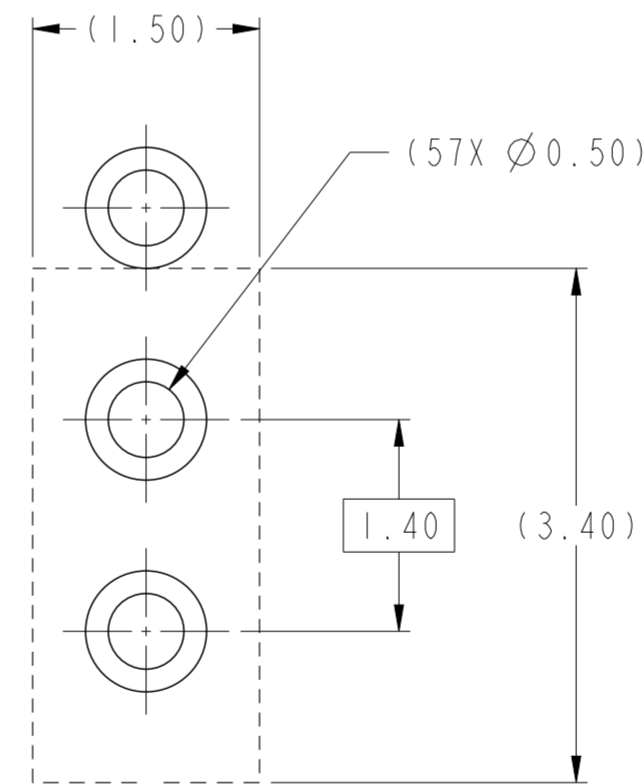
- 1 - CONNECTOR MATERIALS:  
HOUSING: HIGH TEMP THERMOPLASTIC, NATURAL, UL94-V0  
IMLA PLASTIC: HIGH TEMP THERMOPLASTIC, BLACK, UL94-V0  
CONTACT: COPPER ALLOY  
ORGANIZER: HIGH TEMP THERMOPLASTIC, WHITE, UL94-V0
- 2 - CONTACT PLATING:  
SEPARABLE INTERFACE:  
PERFORMANCE-BASED PLATING, QUALIFIED TO MEET THE REQUIREMENTS OF FCI PRODUCT SPECIFICATION GS-12-0956 INCLUDING TELCORDIA GR-1217-CORE (NOVEMBER 1995) CENTRAL OFFICE TEST SEQUENCE
- PRESS-FIT TAILS: SEE TABLE
- 3 - PRODUCT SPECIFICATION: GS-12-0956
- 4 - APPLICATION SPECIFICATION: GS-20-0305.
- 5 - PRODUCT MARKING, (PART NUMBER & LOT CODE), ON THIS SURFACE.
- 6 - THE MINIMUM CENTERLINE SPACING BETWEEN ADJACENT MODULES IS 20.0 MM.
- 7 - CONNECTOR OUTLINE MAY BE SCREEN PRINTED ONTO CUSTOMER PCB TO BE USED AS A GUIDE FOR MANUAL CONNECTOR PLACEMENT.
- 8 - REFER TO CUSTOMER DRAWING 10104444 FOR INFORMATION ON PCB HOLE DIAMETERS AND PLATING OPTIONS
- 9 - LEAD FREE PRODUCT MEETS THE EUROPEAN UNION DIRECTIVES & OTHER COUNTRY REGULATIONS AS DESCRIBED IN GS-22-008
- 10 - PACKAGING MEETS GS-14-920 LEAD FREE LABELING SPECIFICATION.
- 11 - GROUND CONTACTS (C, F, AND I IN ODD COLUMNS AND A, D, AND G, EVEN COLUMNS) REQUIRE (Ø0.500) FINISHED HOLES. SIGNAL LOCATIONS REQUIRE (Ø0.500) FINISHED HOLES.
- 12 - THESE OUTER VIAS (J) ARE OPTIONAL. WHILE NO CONNECTOR EONS ARE PRESSED INTO THESE HOLES WE RECOMMEND (Ø0.500) FINISHED HOLES AT THESE LOCATIONS TO PROVIDE GROUND SYMMETRY THROUGH THE PCB.
- 13 - A  $\triangle$  SYMBOL WILL BE NEXT TO ANY DIMENSION, VIEW, OR NOTE, WHICH HAS BEEN MODIFIED WITH THE CURRENT DRAWING REVISION



10124352-10A OR -10ALF



10124352-10P OR -10PLF



DETAIL A  
SCALE 20:1

spec ref	---	dr	A.P. Sawant	2013/02/28	projection	MM	size	A2	scale	6:1
tolerance std	ASME Y14.5M	eng	Jackie Chen	2015/02/06	chr	-	ecn no	ELX-DG-20165-1	rel level	Released
TOLERANCES UNLESS OTHERWISE SPECIFIED		appr	Collins Lu	2015/02/06	product family	AirMax VS2	cat. no.	10124352	rev	C
surface	✓	linear	0.X	±.3	title		AIRMAX VS2 R.A. RECEPTACLE		Product - Customer Drw	
			0.XX	±.15	ASS'Y, 3 PAIR, 54 POS, 6 IMLA, 20MM, W/GUIDE/KEY		sheet 4 of 4			
		angular	0°	±°	www.fci.com		STATUS:Released		Printed: Feb 06, 2015	