



Flight LT - **CR0812HB-** **-032736-** **No**
80x25 - **A70GL** **(In**
 (Family) (Model) (Part #) (In Stock)



Electrical Specifications

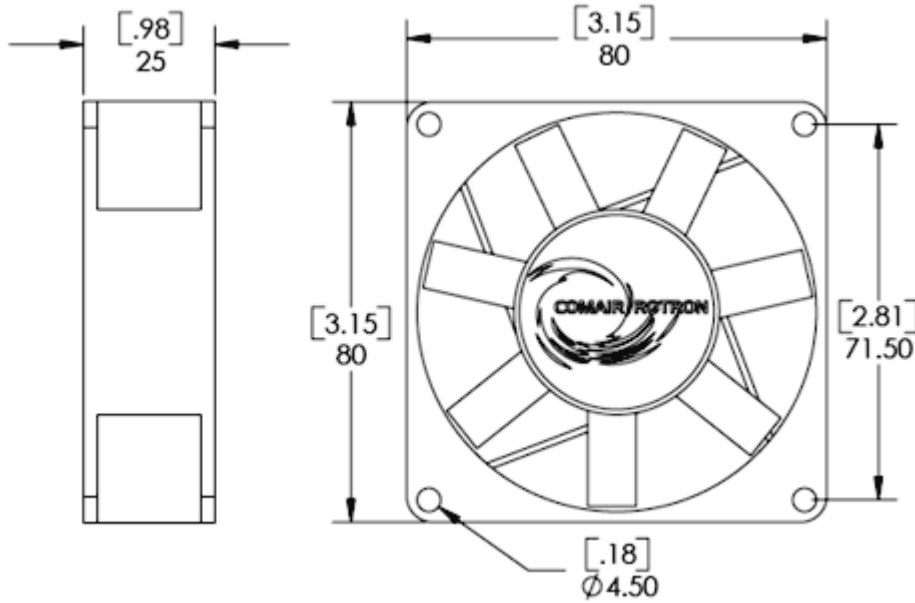
Operating Voltage: 12 Volts
Voltage Range: 10.8 - 13.2 Volts
Power Supply: 3.0 Watts
Line Current: 0.25 Amps
Locked Rotor Current: 0.25 Amps
Nominal Speed: 3010 RPM

Mechanical Specifications

Dimensions: 3.1 x 3.1 x 1.0 in
Weight: 3.03 oz
Max Airflow @ 0 in H₂O: 38.0 CFM
Max Pressure @ 0 CFM: 0.157 in H₂O
Noise: 34.4 dBA



Mechanical Drawing



Comair Rotron, Inc.
 Phone: 619.651.2000
 sales@comairrotron.com

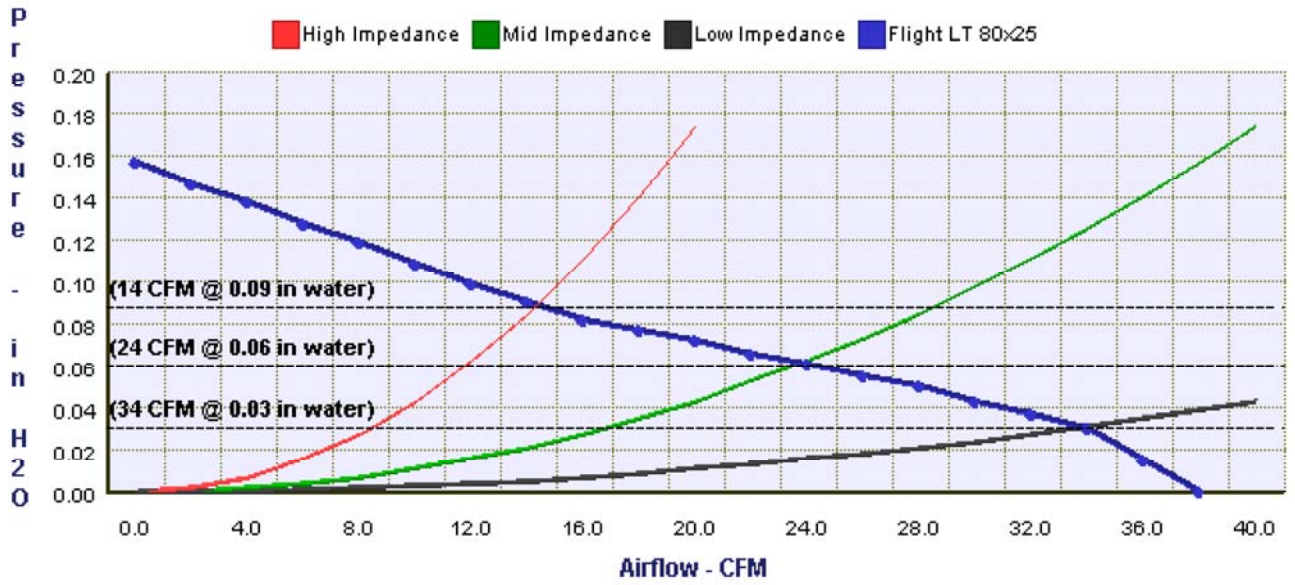
Comair Rotron Europe, Ltd.
 Phone: +44.1527.520525
 saleseurope@comairrotron.com

Comair Rotron Fan Company Ltd.
 Phone: +86.21.52260581
 salesasia@comairrotron.com

Print Date: Friday, February 12, 2010 at 09:42:19 - DC Fan Datasheet - Web Version 1.0 Rev. B



Fan Performance Curve



Fan Configuration Options

Flight LT 80x25
(Family)

CR0812HB-A70GL
(Model)

/ 032736
(Part #)

No
(In Stock)

Fan Speed:	3010 RPM	Fan Bearings:	Ball Bearings
Fan Airflow Direction:	Flow R (CCW Rotation)	Fan Termination:	Leads

Fan Monitoring Options: No Fan Monitoring Options Selected

Fan Speed Control Option: No ThermaPro-V Fan Speed Control Options Selected

Environmental Protection Options: No Envirosield Options Selected

Comair Rotron, Inc.
Phone: 619.651.2000
sales@comairrotron.com

Comair Rotron Europe, Ltd.
Phone: +44.1527.520525
saleseurope@comairrotron.com

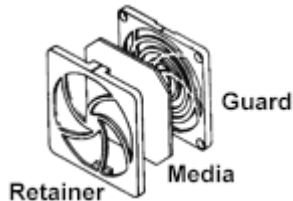
Comair Rotron Fan Company Ltd.
Phone: +86.21.52260581
salesasia@comairrotron.com

Print Date: Friday, February 12, 2010 at 09:42:19 - DC Fan Datasheet - Web Version 1.0 Rev. B

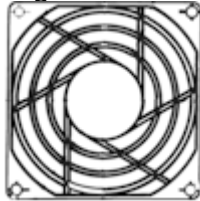


Accessories [\(Click on part number for detailed drawing.\)](#)

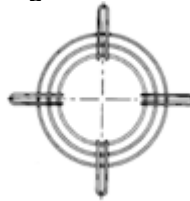
- 554141**
Filter Guard Assembly



- 550648**
Finger Guard



- 476143**
Finger Guard



Comair Rotron, Inc.
Phone: 619.651.2000
sales@comairrotron.com

Comair Rotron Europe, Ltd.
Phone: +44.1527.520525
saleseurope@comairrotron.com

Comair Rotron Fan Company Ltd.
Phone: +86.21.52260581
salesasia@comairrotron.com

Print Date: Friday, February 12, 2010 at 09:42:19 - DC Fan Datasheet - Web Version 1.0 Rev. B