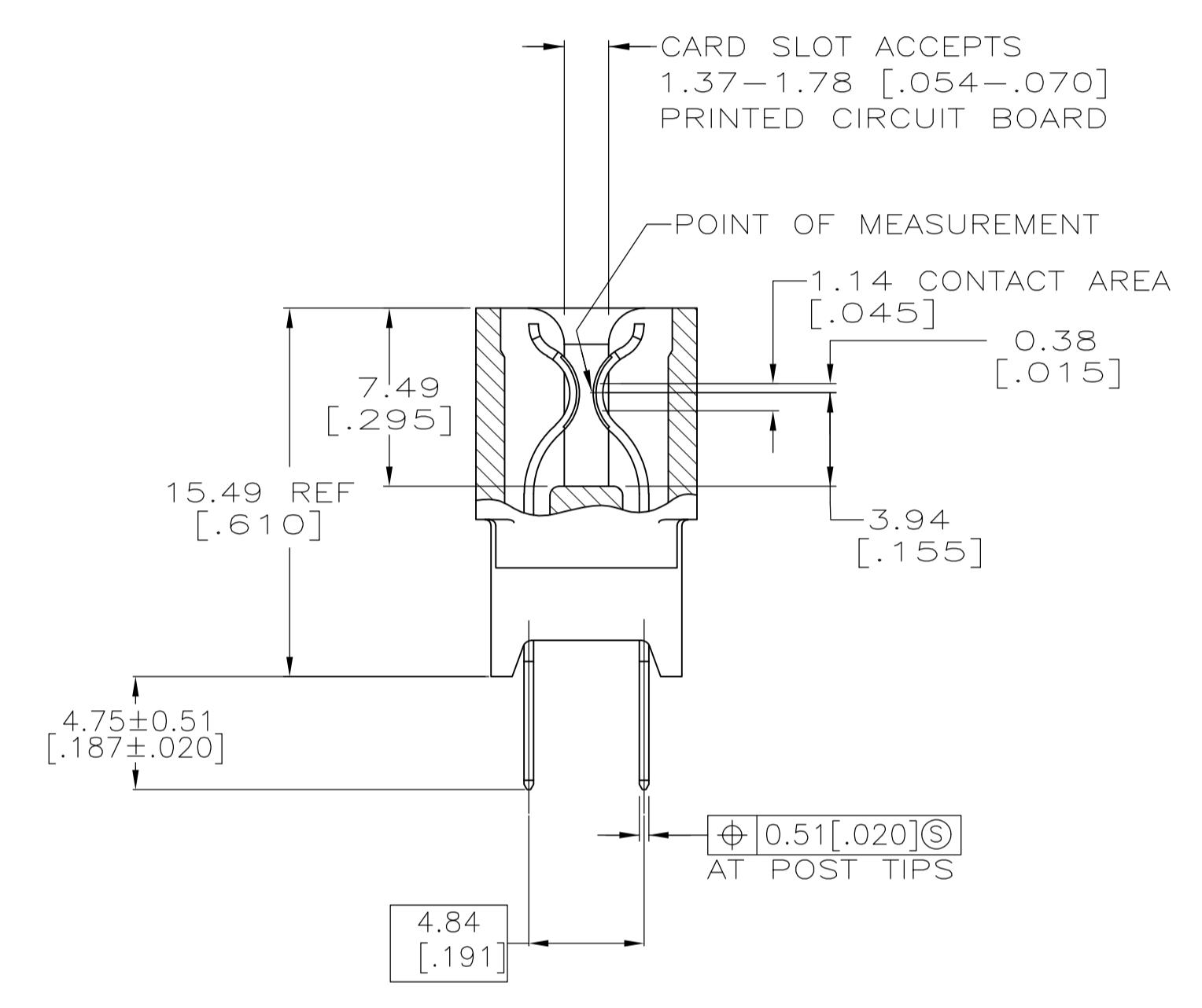


- MATERIAL:  
 HOUSING: GLASS FILLED POLYESTER; COLOR: BLACK.  
 CONTACT: PHOS BRONZE
- FINISH:  
 0.00076[.000030] MIN GOLD PLATE IN CONTACT AREA,  
 0.00254[.000100] MIN MATTE TIN ON SOLDER POSTS, ALL  
 OVER 0.00127[.000050] MIN NICKEL
- AMP LOGO, TE PART NUMBER, DATE CODE AND CSA LOGO INK  
 STAMPED WHITE (HOT STAMPED OR LAZER PRINTED) IN THE APPROXIMATE  
 AREA SHOWN, EITHER SIDE PERMISSABLE, WHEN HOUSING SIZE PERMITS
- RECOMMENDED PCB FINISHED HOLE DIAMETER = 1.08±0.08[.040±.003]



**OBSELETE** 5650616-2  
 PART NUMBER

49 5650616-1  
 NO OF POSN PART NUMBER

THIS DRAWING IS A CONTROLLED DOCUMENT.		DWN AWF/L.A.MAYER 29FEB2008	Tyco Electronics Corporation Harrisburg, PA 17105-3608	
DIMENSIONS: mm [INCHES]		CHK A.W.FRANTUM 29FEB2008	Tyco Electronics	
TOLERANCES UNLESS OTHERWISE SPECIFIED:		APVD S.FLICKINGER 29FEB2008	NAME CONNECTOR ASSEMBLY, STANDARD EDGE II, 2.54 [.100] CENTERLINE	
0 PLC ± -	1 PLC ± -	PRODUCT SPEC 108-9039	SIZE A1	RESTRICTED TO
2 PLC ± 0.13 [.005]	3 PLC ± -	APPLICATION SPEC 114-13018	CAGE CODE 00779	SCALE 4:1
4 PLC ± -	ANGLES ± °	WEIGHT -	DRAWING NO 5650616	SHEET 1 OF 1
MATERIAL SEE NOTE 1	FINISH SEE NOTE 2	CUSTOMER DRAWING	REV B	