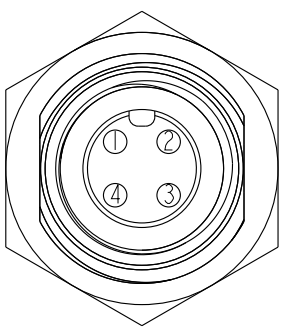
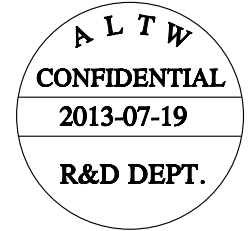
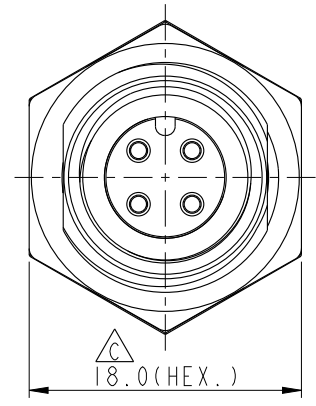
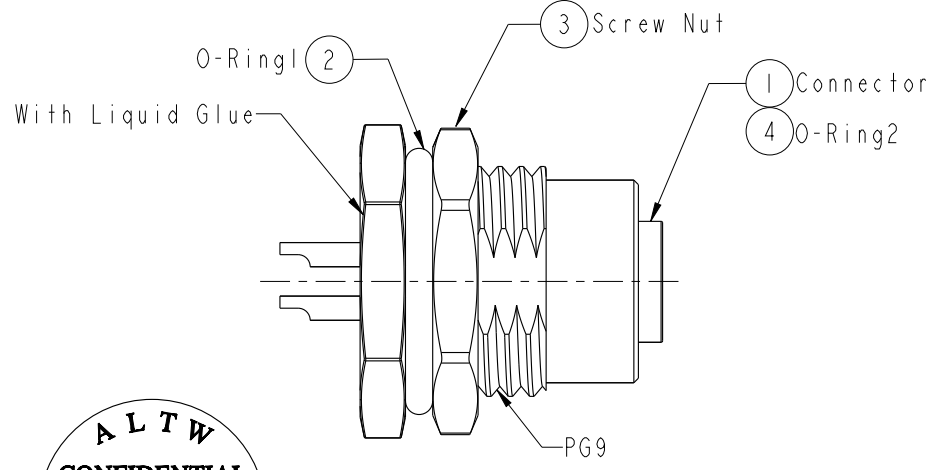
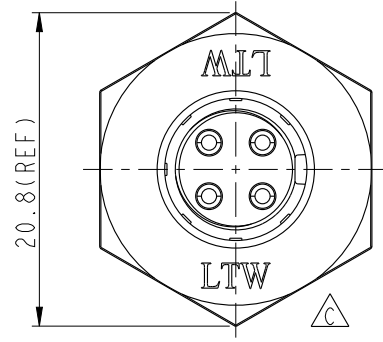
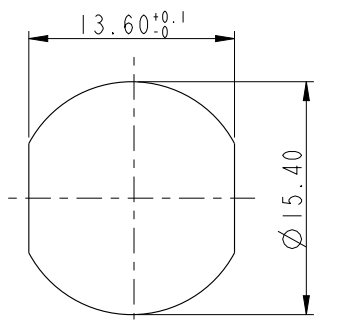


THIS DOCUMENT IS SUBJECT TO CHANGE WITHOUT NOTICE. IT IS CONFIDENTIAL AND A PROPERTY OF Amphenol LTW. DISCLOSURE TO THIRD PARTY HAS TO BE AUTHORIZED BY Amphenol LTW.

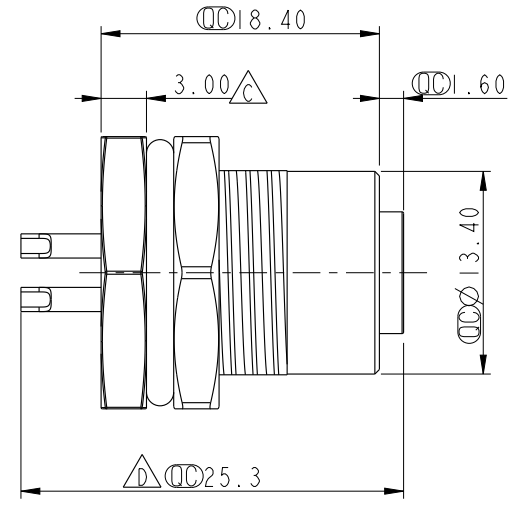
REV.	ECN NO.	DATE	SIGN	DESCRIPTION
B	LEN-7A0011	2007/09/29	Myrdal	Added Note
C	LEN-040044	2010/03/30	Vicky	REF. TO ECR/N.NOTE.
D	LEN1370283	2013/07/19	Rensong	chang demension 25.2 to 25.3



Pin Assignment
Front View



Recommended Panel Cut-Out



- Note:
- * \varnothing Important Dimension.
 - $\triangle C$ * Waterproof Rate: IP68.
IP68: 1M Depth Of Water In 24hours.
 - * Housing: Nylon+GF, Black.
 - * Female Pin: Copper Alloy, Gold Plated.
 - * Shield: Zinc Alloy, Nickel Plated.
 - * Nut: Zinc Alloy, Nickel Plated.
 - * O-Ring1: EPDM, Black.
 - $\triangle C$ * O-Ring2: Viton, Green.
 - * For Panel Thickness Max 4.5mm.
 - $\triangle B$ * Nut Torque: 4-6 Kgf.cm

UNIT: mm	
TOLERANCE	
.X	±0.25
.XX	±0.1
.XXX	±0.05
ANGLES	±1°

TITLE M12 Conn Panel Screw 4Pin F Conn F Pin			
SCALE 2:1	SIZE A4	SHEET 1 OF 1	
REV. D	WC-REV. B.1	\varnothing : Inspection item	

Amphenol LTW
安費諾亮泰企業股份有限公司

ITEM NO 12-04PFFS-SF8001	DRAWN BY Lin_rensong	DATE 2013-07-19
DWG NO 12-04PFFS-SF8001	CHECKED BY Tony	DATE 2013-07-19
CUSTOMER ALTW	APPROVED BY Maslow	DATE 2013-07-19