

DETAILS

Product Number	C11979_LENA-S
Family	Lena
Type	Reflector
Color	metal
Diameter	111 mm
Height	80 mm
Style	round
Optic Material	PC
Holder Material	
Fastening	
Status	production ready
ROHS Compliant	Yes
Date Updated	30/01/2017



OPTICAL PROPERTIES

LED	Viewing	Light	Effi-		
	Angle	Beam	ciency	cd/lm	Connector
V13 Gen7	sim: 10	Spot	sim: 88 %	sim: 12.900	IDEAL: 50-2103CT + 50-2100LN
CLL04x/CLU04x	16 deg	Spot	85 %	5.200	IDEAL: 50-2204CT + 50-2100LN
CLL04x/CLU04x	17 deg	Spot	78 %	4.800	A.A.G. STUCCHI: 8102/G2 + S-8000/12
CXA/B 30xx	sim: 14	Spot	sim: 87 %	sim: 7.500	IDEAL: 50-2234C + 50-2100LN
LUXEON CoB 1216	18 deg	Spot	79 %	4.540	A.A.G. STUCCHI: 8102/G2 + S-8000/12

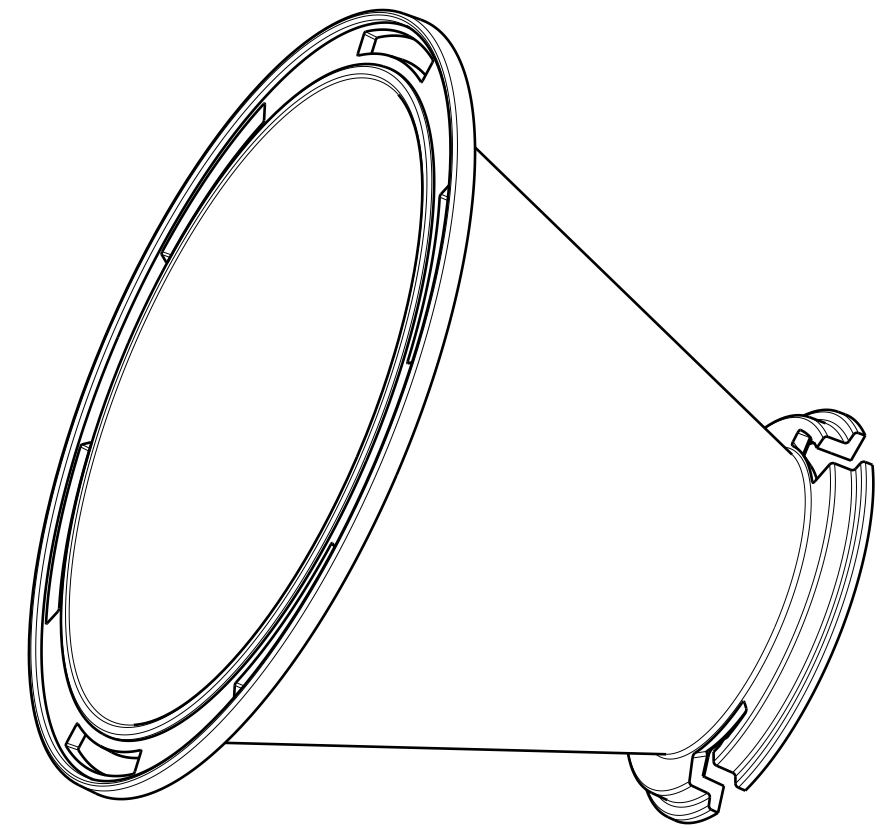
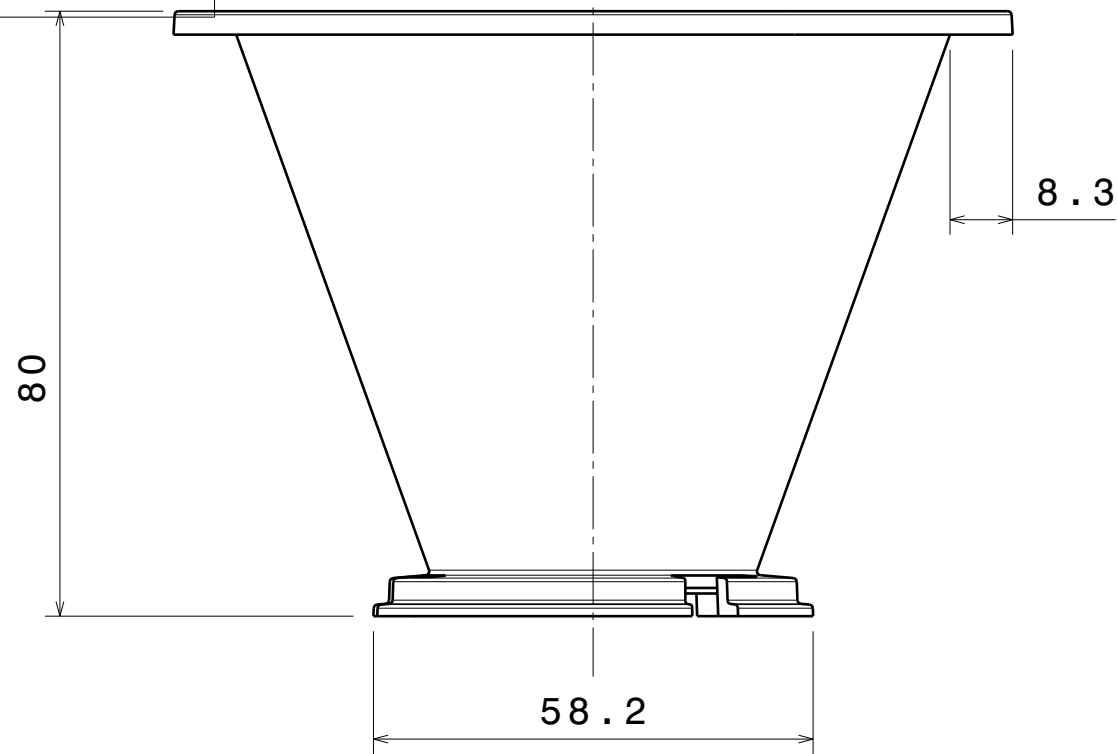
This drawing applies to:

C11979_LENA-S

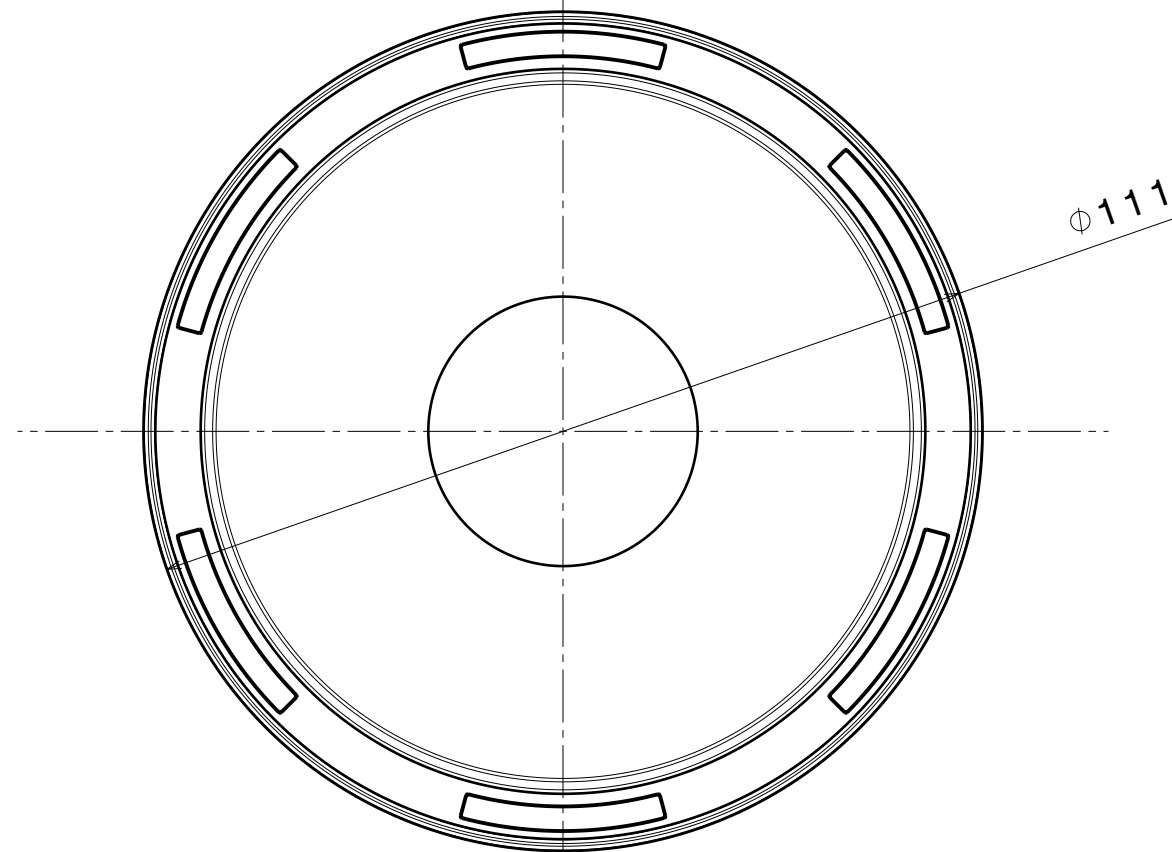
C12154_LENA-M

C11980_LENA-W

C13117_LENA-SS



Isometric view



INDEX	DESCRIPTION	MATERIAL
1	Lena-Reflector	PC

Tolerances if not otherwise shown
 According to DIN ISO 2768-1
 Linear measures:
 Up to 30mm class M, otherwise class C.
 According to DIN ISO 2768-2
 Form and position: class L



Ledil Oy
 Salorankatu 10
 FIN 24240 SALO
 Finland

THIRD ANGLE PROJECTION:

DRAWING TITLE
LENA reflector family

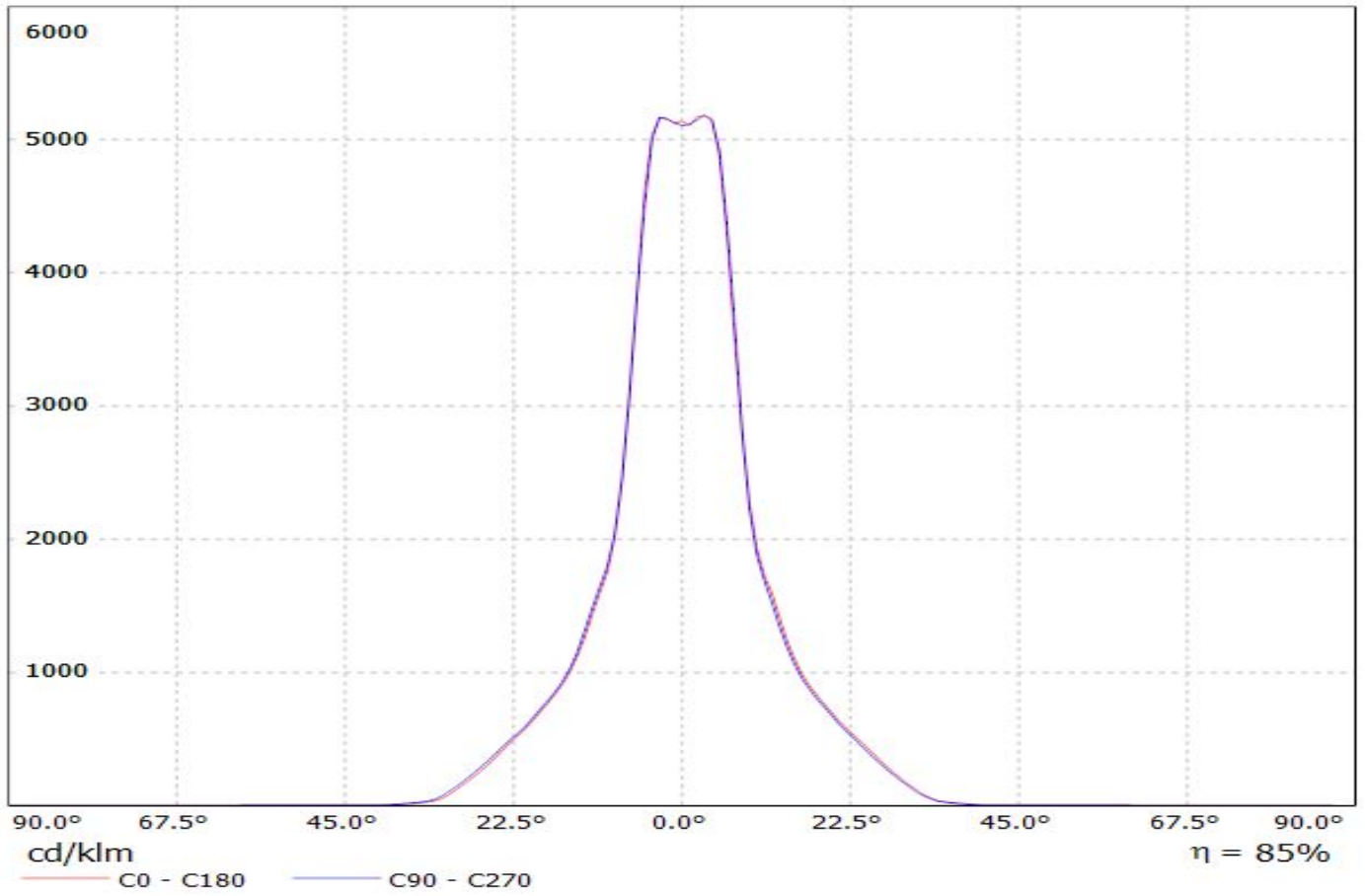
This drawing is the property
 of LEDiL Oy. It may not be
 reproduced, copied or
 communicated without a written
 agreement with LEDiL Oy."

SIZE	PART NUMBER		
A3	-		

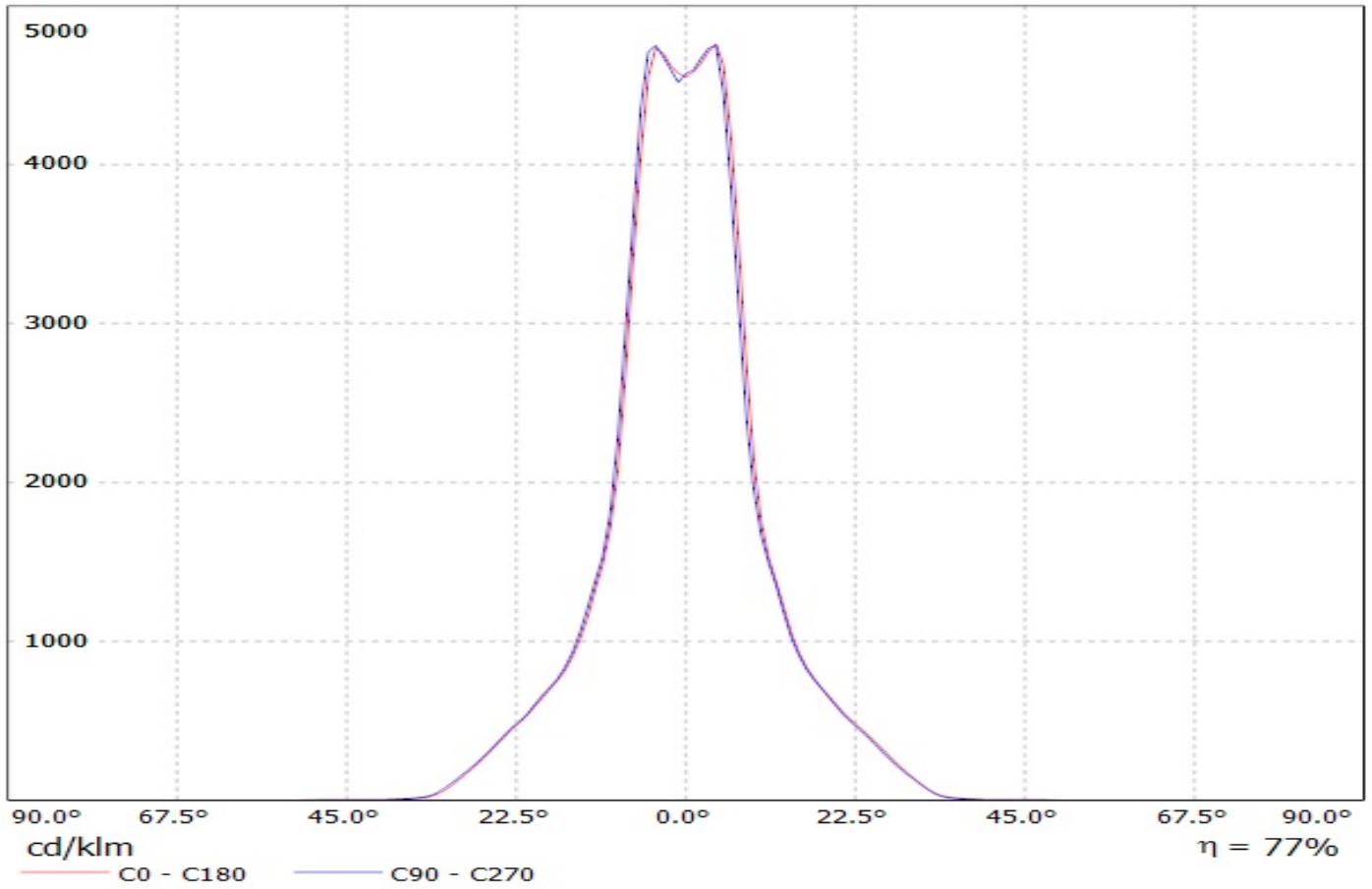
SCALE	1:1	WEIGHT	(g)	SHEET	1/1
-------	-----	--------	-----	-------	-----

Luminaire: LEDiL Oy C11979_LENA-S_(CLL040)

Lamps: 1 x Citizen_CLL040_(CLL040-1218A-50KL1A1)_1156.98lm@250mA_P=8.26164W_I=249.8mA

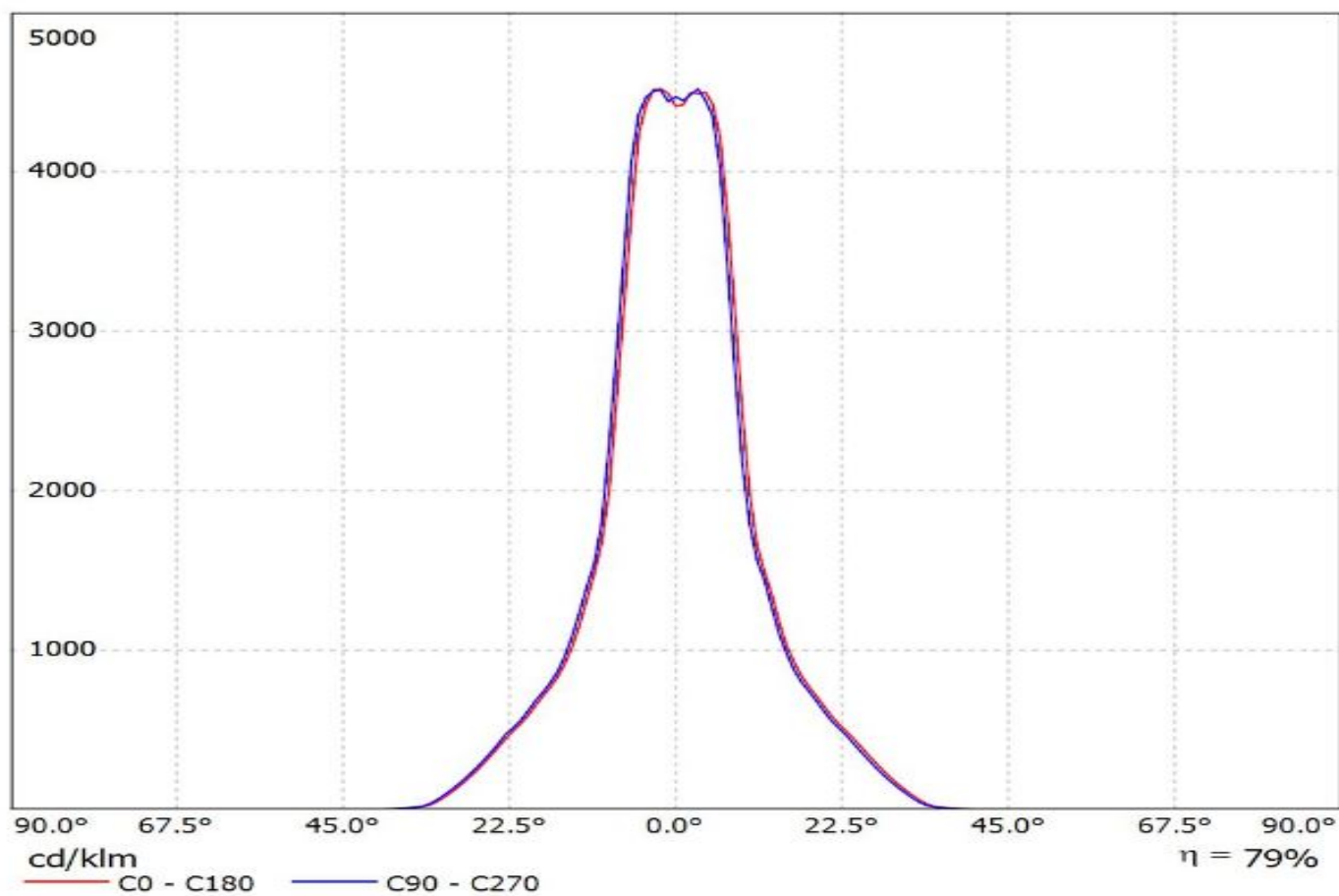


Luminaire: LEDiL Oy C11979_LENA-S_(CLU044+_8102-G2+_S-8000-12)
Lamps: 1 x Citizen_CLU044_(1212B8-303M1A2)_546.982lm@100mA_P=3.2W_I=0.1A



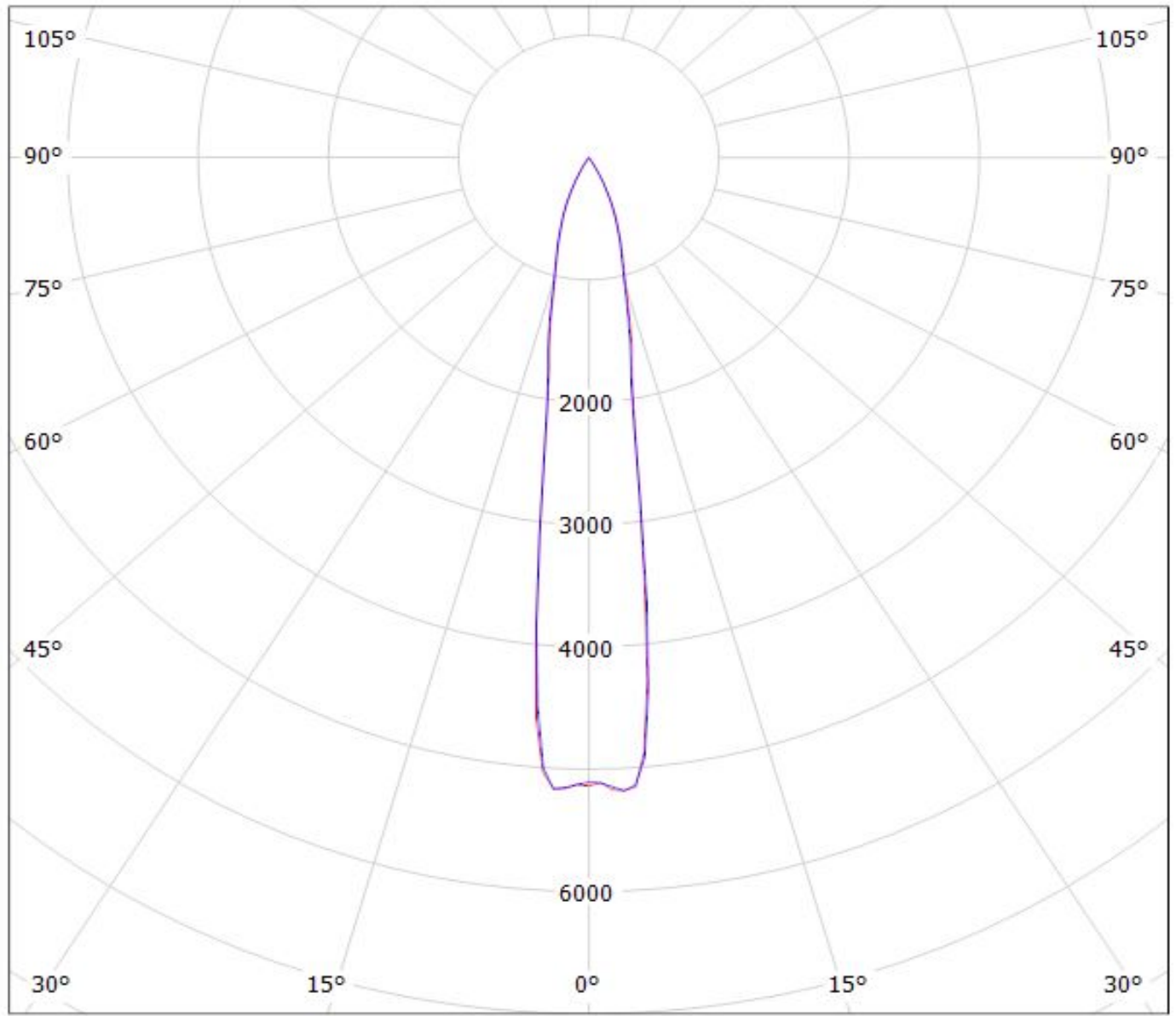
Luminaire: Ledil C11979_LENA-S_(CoB_1216)

Lamps: 1 x Luxeon_CoB_1216_(L2C2-40801216E2300)_1475.81lm@250mA_P=7.9980W_I=0.25A



Luminaire: LEDiL Oy C11979_LENA-S_(CLL040)

Lamps: 1 x Citizen_CLL040_(CLL040-1218A-50KL1A1)_1156.98lm@250mA_P=8.26164W_I=249.8mA



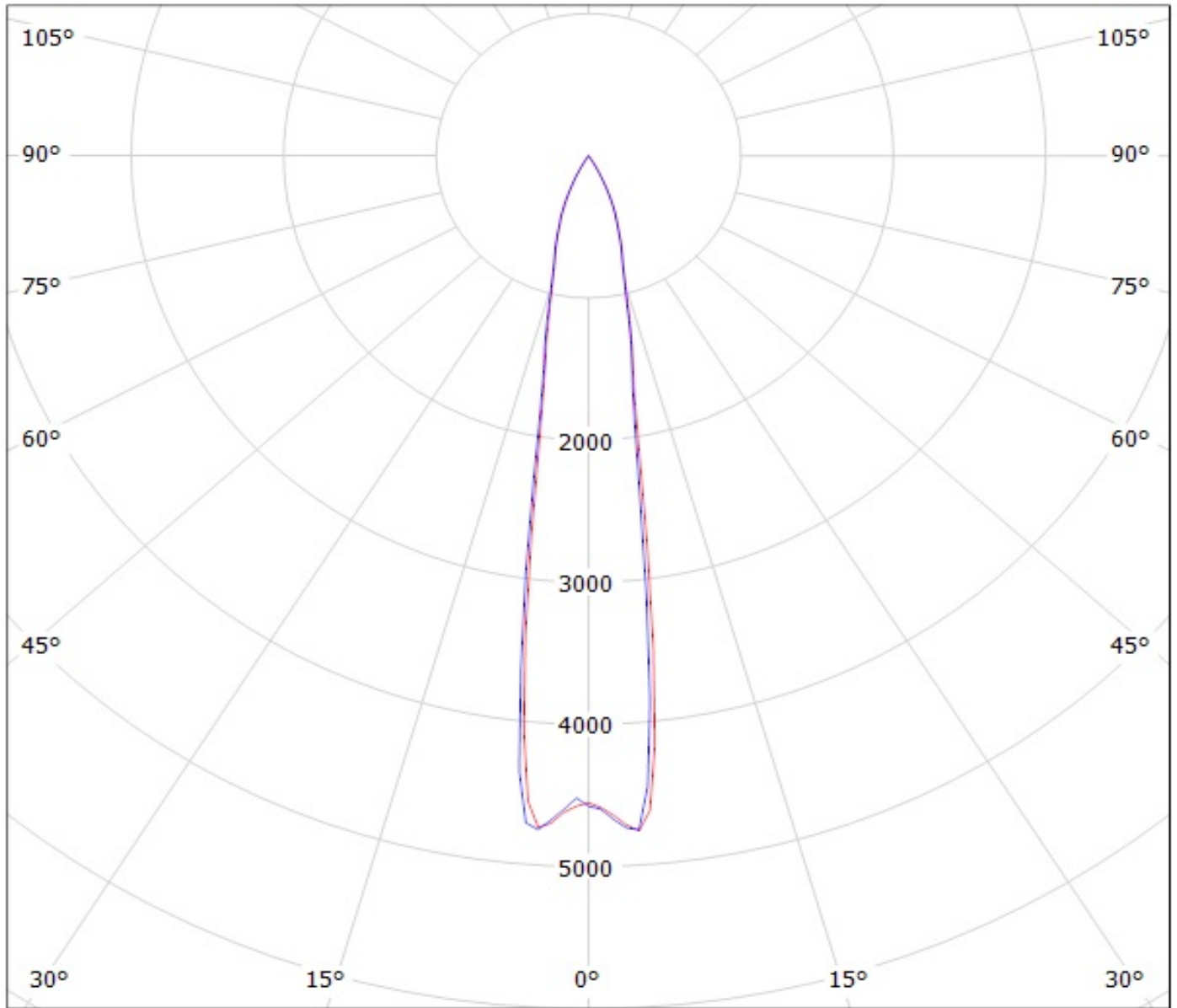
cd/klm

$\eta = 85\%$

— C0 - C180

— C90 - C270

Luminaire: LEDiL Oy C11979_LENA-S_(CLU044+_8102-G2+_S-8000-12)
Lamps: 1 x Citizen_CLU044_(1212B8-303M1A2)_546.982lm@100mA_P=3.2W_I=0.1A



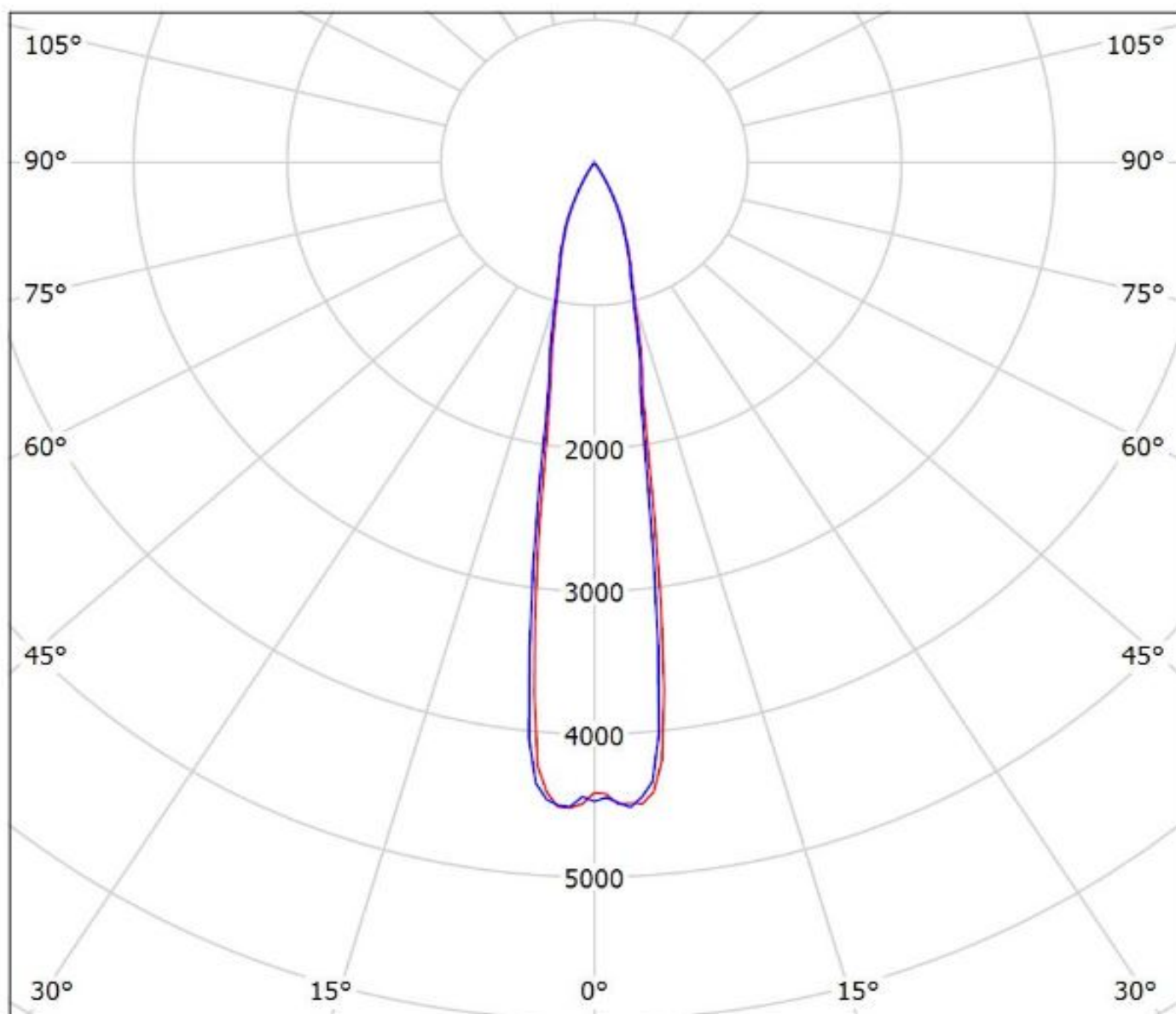
cd/klm

— C0 - C180 — C90 - C270

$\eta = 77\%$

Luminaire: Ledil C11979_LENA-S_(CoB_1216)

Lamps: 1 x Luxeon_CoB_1216_(L2C2-40801216E2300)_1475.81lm@250mA_P=7.9980W_I=0.25A



cd/klm

— C0 - C180 — C90 - C270

$\eta = 79\%$

NOTE: The typical divergence will be changed by different color, chip size and chip position tolerance. The typical total divergence is the full angle measured where the luminous intensity is half of the peak value.

GENERAL INFORMATION

- Product series especially designed & optimized for series of LEDs.
- Special care taken to make light distribution as uniform as possible.

Note! Due to use of high power COB's with this product, special attention to proper thermal design is highly recommended. LEDiL has no liability for direct, indirect or consecutive damages arising from the LEDiL products being used outside of the recommended temperature range.