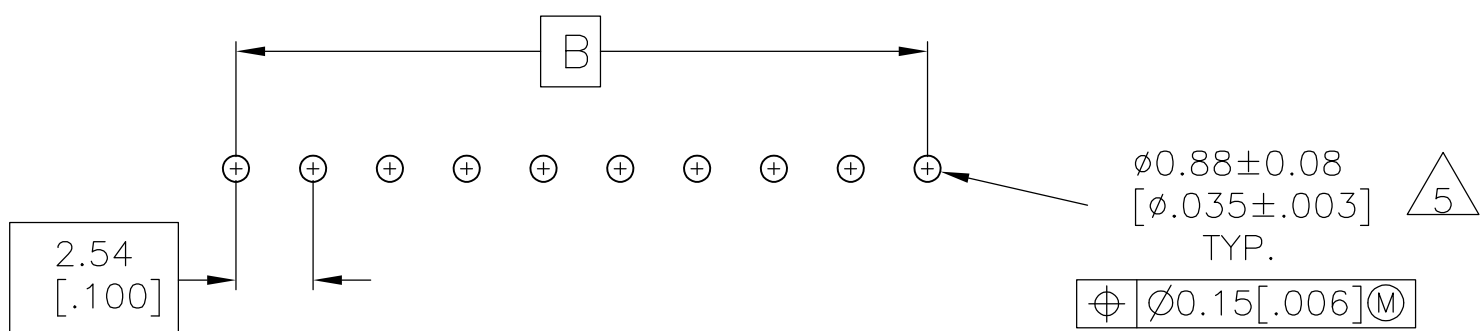
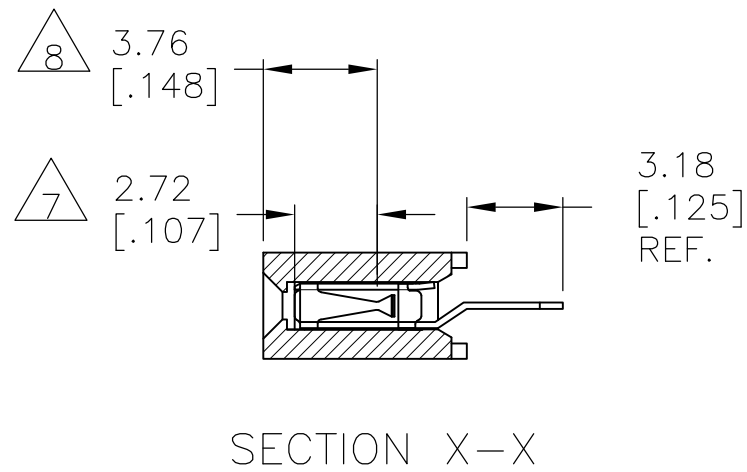
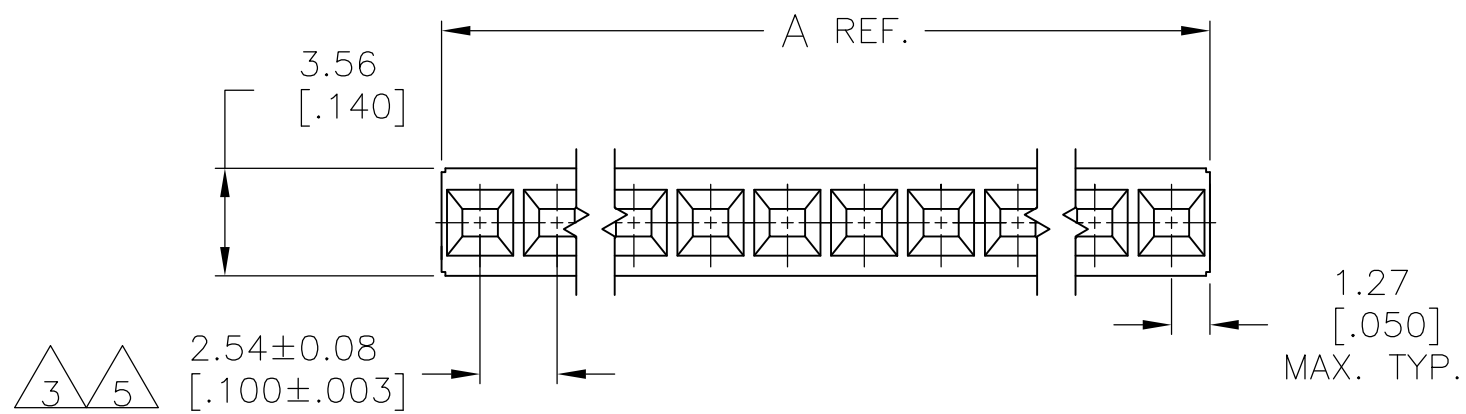
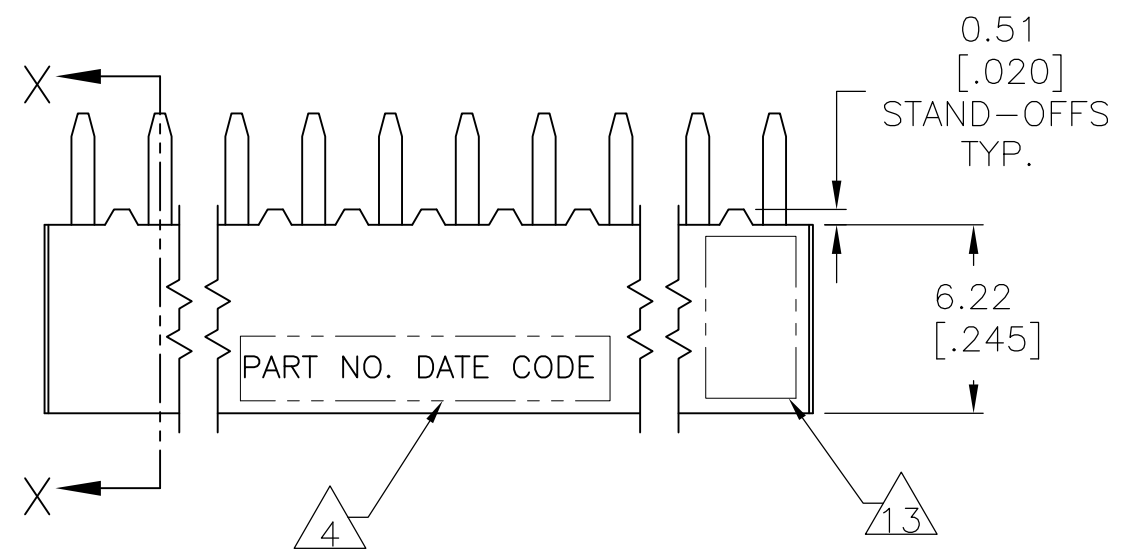


THIS DRAWING IS UNPUBLISHED. RELEASED FOR PUBLICATION
 © COPYRIGHT - By - ALL RIGHTS RESERVED.

LOC		DIST		REVISIONS			
P	LTR	DESCRIPTION		DATE	DWN	APVD	
AD	00	R5		REVISED PER ECO-13-005565	30MAR13	KH	JO



- 1 HOUSING: FLAME RETARDANT, GLASS FILLED, THERMOPLASTIC, COLOR: BLACK. CONTACT: PHOSPHOR BRONZE
- 2 CONTACT: 2.54-5.08µm [.000100-.000200] BRIGHT TIN-LEAD OVER 1.27µm [.000050] NICKEL
- 3 THESE DIMENSIONS PERTAIN TO CAVITY CENTERLINES ONLY - NOT TO CONTACT LOCATIONS
- 4 MARK PART NUMBER AND DATE CODE IN APPROXIMATE LOCATION SHOWN, EITHER SIDE.
- 5 TOLERANCE IS NON-CUMULATIVE.
- 6 2 POSITION DATE CODE IS MARKED OPPOSITE SIDE OF TE LOGO.
- 7 POINT-OF-MEASUREMENT DIMENSION FOR PLATING THICKNESS (INSIDE CONTACT BEAM).
- 8 POINT-OF-CONTACT DIMENSION.
- 9 CONTACT: 3.81-7.62µm [.000150-.000300] MATTE TIN OVER 1.27µm [.000050] MIN. NICKEL
- 11 ROHS 2002/95/EC COMPLIANT
- 12 NO PART NUMBER MARKING REQUIRED FOR THIS PART.
- 13 TE LOGO AND CSA LOGO MOLDED INTO HOUSING, THIS LOCATION.

THIS DRAWING IS A CONTROLLED DOCUMENT.		DWN	M.BINNER	05NOV02		TE Connectivity		
DIMENSIONS: mm [INCHES]		CHK	J.OLSON	05NOV02		NAME		
TOLERANCES UNLESS OTHERWISE SPECIFIED:		APVD	J.OLSON	05NOV02		RECPT. ASSY., MOD IV, SINGLE ROW, .100 CL., VERTICAL BOARD MOUNT, CLOSED, TOP ENTRY, SHORT PNT. OF CONTACT		
0 PLC ± -		PRODUCT SPEC	108-25022			SIZE	CAGE CODE	DRAWING NO
1 PLC ± -		APPLICATION SPEC	114-25018		A2	00779	C=535584	
2 PLC ± 0.25 [.010]		MATERIAL	1	FINISH	2	SCALE	4:1	
3 PLC ± 0.13 [.005]		CUSTOMER DRAWING		WEIGHT	-	SHEET	1 OF 2	
4 PLC ± -		REVISIONS		RESTRICTED TO	-	REV	R5	
ANGLES ± -		SCALE		4:1		SHEET		
FINISH		SCALE		4:1		SHEET		
FINISH		SCALE		4:1		SHEET		

THIS DRAWING IS UNPUBLISHED. RELEASED FOR PUBLICATION
 © COPYRIGHT - By - ALL RIGHTS RESERVED.


LOC		DIST		REVISIONS			
P	LTR	DESCRIPTION		DATE	DWN	APVD	
		SEE SHEET 1					

FINISH	B	A	NO OF POSN	PART NUMBER
				8-535584-9
				8-535584-8
				8-535584-7
				8-535584-6
				8-535584-5
				8-535584-4
				8-535584-3
				8-535584-2
				8-535584-1
				8-535584-0
				7-535584-9
				7-535584-8
				7-535584-7
				7-535584-6
				7-535584-5
				7-535584-4
				7-535584-3
				7-535584-2
				7-535584-1
				7-535584-0
				6-535584-9
				6-535584-8
				6-535584-7
				6-535584-6
				6-535584-5
				6-535584-4
				6-535584-3
				6-535584-2
				6-535584-1
				6-535584-0
				5-535584-9
				5-535584-8
				5-535584-7
				5-535584-6
				5-535584-5
				5-535584-4
				5-535584-3
				5-535584-2
				5-535584-1

FINISH	B	A	NO OF POSN	PART NUMBER
				4-535584-0
				3-535584-9
				3-535584-8
				3-535584-7
				3-535584-6
				3-535584-5
				3-535584-4
				3-535584-3
				3-535584-2
				3-535584-1
				3-535584-0
				2-535584-9
				2-535584-8
				2-535584-7
				2-535584-6
				2-535584-5
				2-535584-4
				2-535584-3
				2-535584-2
				2-535584-1
				2-535584-0
				1-535584-9
				1-535584-8
				1-535584-7
				1-535584-6
				1-535584-5
				1-535584-4
				1-535584-3
				1-535584-2
				1-535584-1
				1-535584-0
				535584-9
				535584-8
				535584-7
				535584-6
				535584-5
				535584-4
				535584-3
				535584-2
				535584-1

SUPERSEDED BY 5-535584-8

SUPERCEDED BY 6-535584-5

THIS DRAWING IS A CONTROLLED DOCUMENT.		DWN M.BINNER 05NOV02	 TE Connectivity	
DIMENSIONS: mm [INCHES]		CHK J.OLSON 05NOV02		
TOLERANCES UNLESS OTHERWISE SPECIFIED:		APVD J.OLSON 05NOV02	NAME RECPT. ASSY., MOD IV, SINGLE ROW, .100 CL., VERTICAL BOARD MOUNT, CLOSED, TOP ENTRY, SHORT PNT. OF CONTACT	
0 PLC ± - 1 PLC ± - 2 PLC ± 0.25[.010] 3 PLC ± 0.13[.005] 4 PLC ± - ANGLES ± -		PRODUCT SPEC 108-25022	RESTRICTED TO	
MATERIAL		APPLICATION SPEC 114-25018	SIZE A2	CAGE CODE 00779
FINISH		WEIGHT -	DRAWING NO C=535584	SCALE 4:1
		CUSTOMER DRAWING	SHEET 2 OF 2	REV R5