

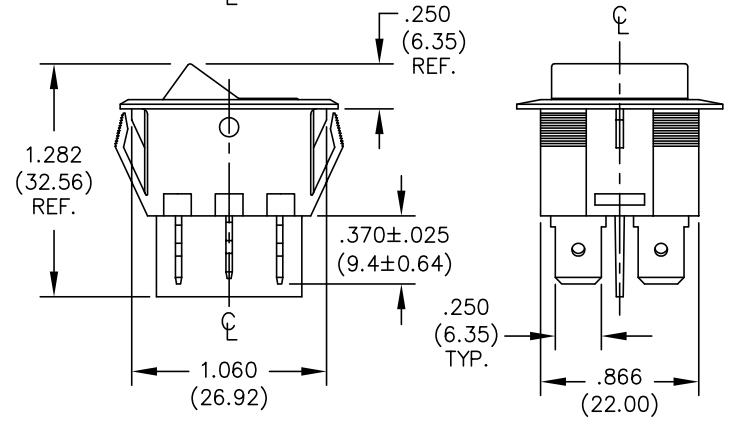
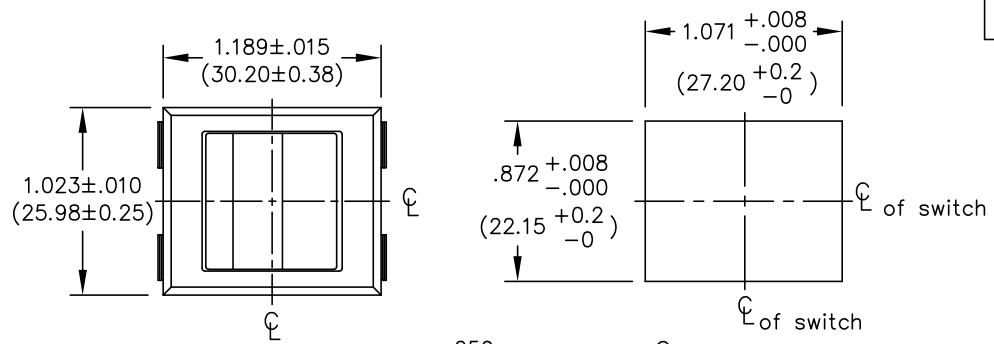
THIS INFORMATION IS CONFIDENTIAL AND PROPRIETARY TO CW INDUSTRIES INCORPORATED AND ITS AFFILIATES. IT MAY NOT BE DISCLOSED TO ANYONE, OTHER THAN CW INDUSTRIES PERSONNEL, WITHOUT WRITTEN AUTHORIZATION FROM CW INDUSTRIES INCORPORATED, SOUTHAMPTON, PENNSYLVANIA USA.

DIMENSIONS IN INCHES (MILLIMETERS)  
DO NOT SCALE DRAWING .....

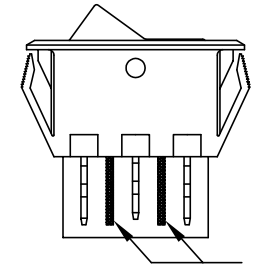
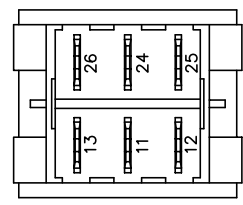
Dwg. No.  
GR-2022A-XXXX

PANEL THICKNESS  
.025" to .150"  
(0.64mm to 3.81mm)

PANEL PIERCING



BOTTOM VIEW



INSULATING BARRIERS BETWEEN TERMINALS  
OPTIONAL

1 2 3 4 5 6 7 8 9 10

REVISIONS

**CW INDUSTRIES**  
Southampton, Pa. 18966

TOLERANCES UNLESS OTHERWISE SPECIFIED	
2 Place Decimal ±.010	METRIC
3 Place Decimal ±.005	1 Place Dec. ±.25mm
Angles ..... ±1'	2 Place Dec. ±.13mm

Title: PANEL MOUNT  
ROCKER SWITCH  
D.P.-D.T./MOMENTARY  
WITH OPTIONS

Made for: CW IND.  
Drawn by: DGW 8-01-2010  
Checked by:  
Approval:

Division: SWITCH  
Dwg. No. GR-2022A-XXXX

PDF FILE MADE