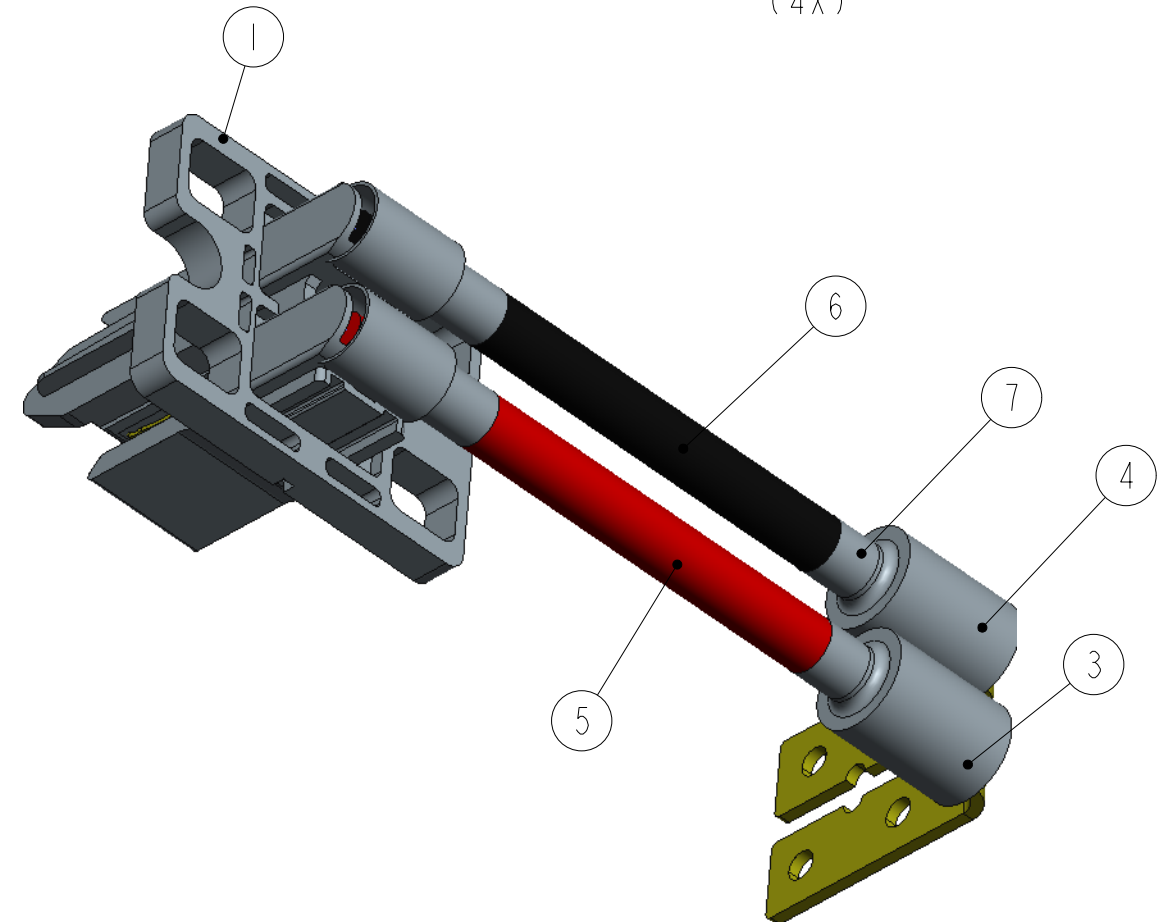
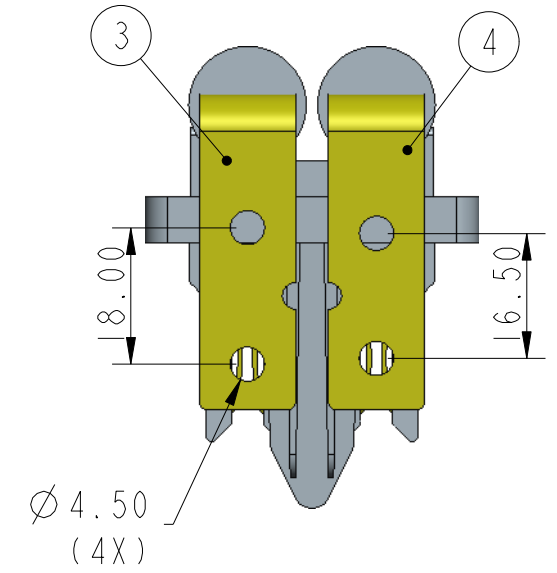
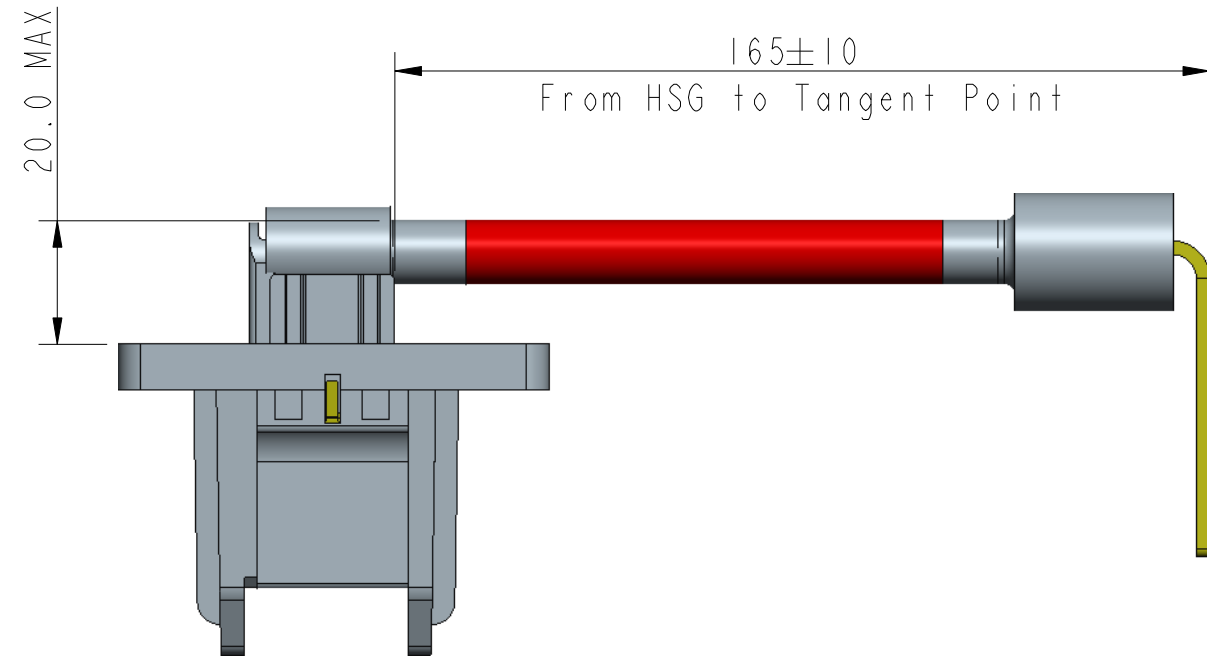
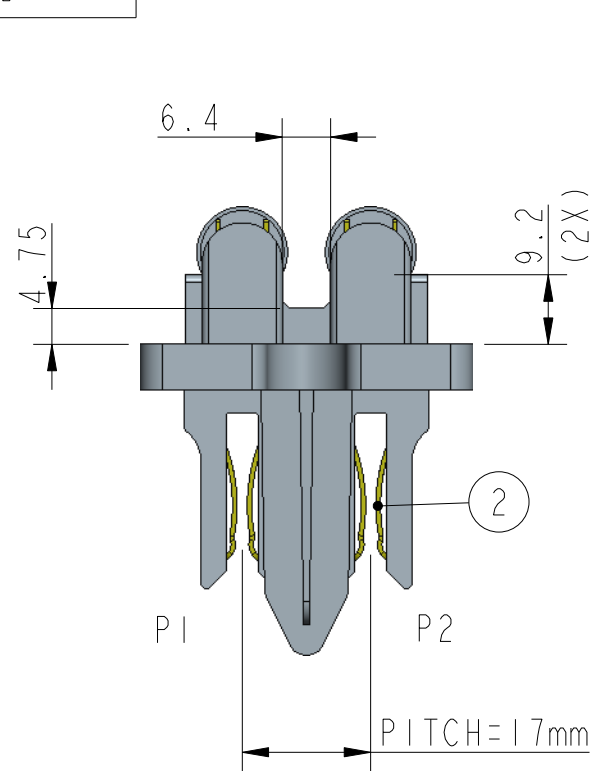


PART NUMBER	CUSTOMER P/N
10124234-060001LF	F03B



ITEM NO.	PART NUMBER	DESCRIPTION	Q'TY
1	10124237-001	HOUSING, THERMOPLASTIC RESIN, UL94V-0	1
2	10124235-06001LF	MATING CONTACT, HIGH CONDUCTIVITY COPPER ALLOY, TIN PLATED.	2
3	10124236-06001LF	FLAT CONTACT, THROUGH HOLE PITCH=18.00mm HIGH CONDUCTIVITY COPPER ALLOY TIN PLATED	1
4	10124236-06002LF	FLAT CONTACT, THROUGH HOLE PITCH=16.50mm HIGH CONDUCTIVITY COPPER ALLOY TIN PLATED	1
5	10124238-06001	FLEXIBLE POWER WIRE, 6 AWG, UL 10070, 105°C, 600V RED INSULATION COLOR,	1
6	10124238-06002	FLEXIBLE POWER WIRE, 6 AWG, UL 10070, 105°C, 600V BLACK INSULATION COLOR,	1
7	10124239-06000	THERMAL SHRINKAGE TUBING, COLOR BLACK, 0.5mm THICKNESS. LENGTH 25mm MIN.	4

NOTES:
 (1) ELECTRICAL RATING: 600V, 60A
 (2) WORKING TEMPERATURE: -20-75°C
 (3) REFERENCE DOCUMENTS:
 PRODUCT SPECIFICATION: FCI-GS-12-1127
 PACKAGEING SPECIFICATION: FCI-GS-14-2295
 (4) RoHS COMPLIANT.

spec ref	dr Beer Fu	2013-02-01	projection	MM	size A3	scale 1:1		
tolerance std	eng Beer Fu	2013-02-01			ecn no ELX-T-19523	rel level RELEASED		
TOLERANCES UNLESS OTHERWISE SPECIFIED							product family	-
surface <input checked="" type="checkbox"/>	linear	0.X	±0.30		POWER CABLE	dwg no 10124234-060001LF	rev C	
		0.XX	±0.15					
		0.XXX	±0.05					
	angular	0°	±5°	www.fci.com	cat. no.	-	CUSTOMER	sheet 1 of 1

Copyright FCI. FCI