

Housing - HC-STA-D07-BWSCF-EL-AL - 1419251


Please be informed that the data shown in this PDF Document is generated from our Online Catalog. Please find the complete data in the user's documentation. Our General Terms of Use for Downloads are valid (<http://phoenixcontact.com/download>)



Panel mounting base D7, with single locking latch, material: Die-cast aluminum, salt water resistant, protective cover material: PA, height: 25.5 mm, cable gland: none, support sleeve: no, protective cover: yes, Standard, for socket inserts



Key Commercial Data

Packing unit	1 STK
GTIN	 4 055626 159829
GTIN	4055626159829

Technical data

Dimensions

Height	25.5 mm
Width	34.2 mm
Length	24.2 mm
Length of the assembly cutout	21 mm
Width of the assembly cutout	21 mm

Ambient conditions

Degree of protection of housing (IP)	IP66
	IP67
Ambient temperature (operation)	-40 °C ... 125 °C

General

Note	for contact inserts HC-A03, A04, D07, D08, Q02, Q03, Q04, Q05, Q07, Q12
Size	D7
Housing type	Panel mounting base
Color	gray aluminum
Locking type	with single locking latch

Housing - HC-STA-D07-BWSCF-EL-AL - 1419251

Technical data

General

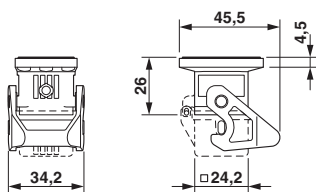
Screw connection	none
Protective cover	yes
Housing material	Die-cast aluminum, salt water resistant
Housing surface material	uncoated
Seal material	NBR
Material lock	PA
Material, protective cover	PA
Assembly instructions	For mounting socket inserts

Environmental Product Compliance

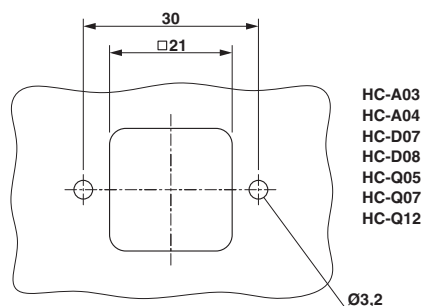
China RoHS	Environmentally Friendly Use Period = 50
	For details about hazardous substances go to tab "Downloads", Category "Manufacturer's declaration"

Drawings

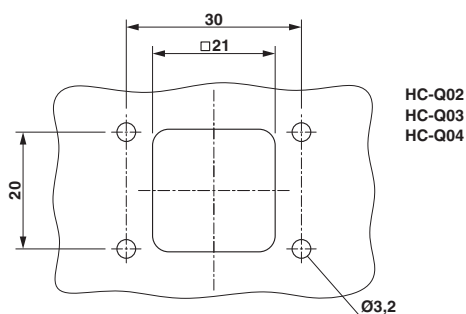
Dimensional drawing



Dimensional drawing



Dimensional drawing



Mounting cutout

Approvals

Approvals

Housing - HC-STA-D07-BWSCF-EL-AL - 1419251

Approvals

Approvals

EAC / GL

Ex Approvals

Approval details

EAC			RU C- DE.AI30.B.01102
GL		http://exchange.dnv.com/tari/	6196614 HH

Phoenix Contact 2018 © - all rights reserved
<http://www.phoenixcontact.com>

PHOENIX CONTACT GmbH & Co. KG
Flachsmarktstr. 8
32825 Blomberg
Germany
Tel. +49 5235 300
Fax +49 5235 3 41200
<http://www.phoenixcontact.com>