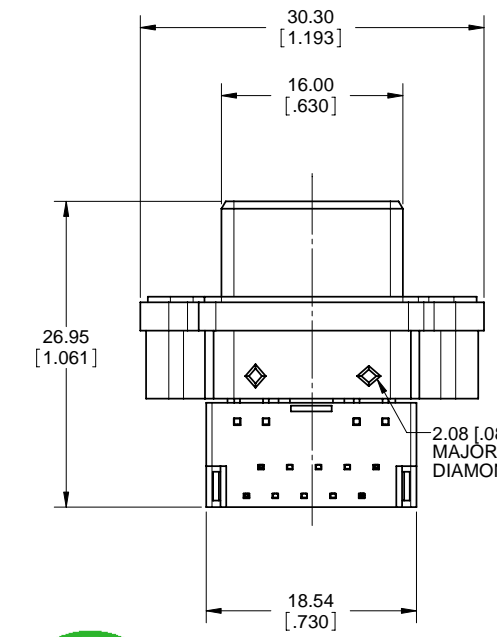
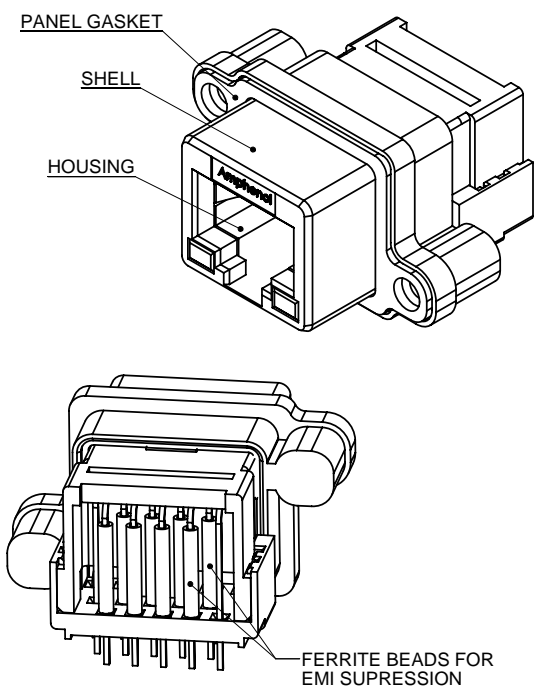
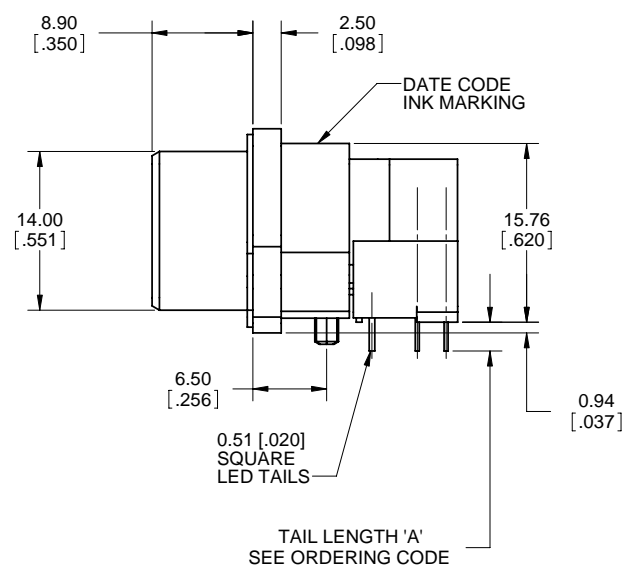
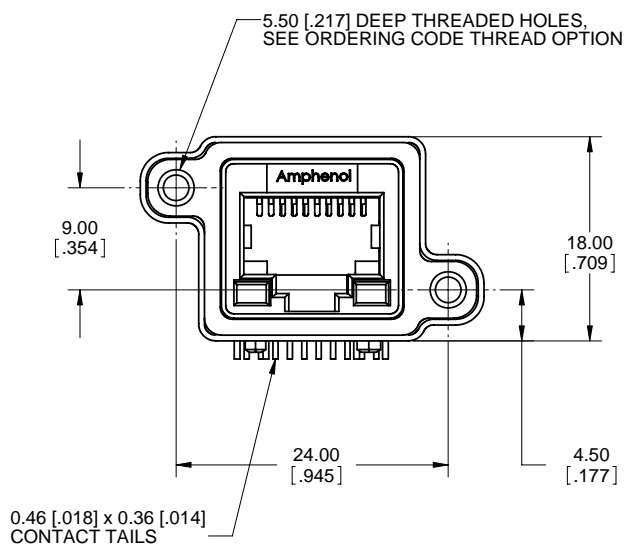


REVISIONS			
REV	ECN, ERN NO.	DATE	APPRD.
B	PRODUCT DRAWING (EAR 13542)	MAY26/09	K.L.



**ORDERING CODE: M R J - 6 3 X X - X 1**

SERIES, RUGGED RJ  
 FILTERED RECEPTACLE, RIGHT ANGLE, PCB TAIL  
 NUMBER OF CONTACTS  
 8= 8 CONTACTS  
 A=10 CONTACTS  
 LED OPTION  
 0=NONE  
 1=GREEN LEFT, YELLOW RIGHT  
 4=YELLOW LEFT, GREEN RIGHT  
 5=GREEN LEFT, GREEN RIGHT  
 TAIL LENGTH AND MOUNTING HOLE THREAD OPTION  
 0= TAIL LENGTH A=2.54 [.100], #4-40 UNC THREAD  
 B= TAIL LENGTH A=3.81 [.150], #4-40 UNC THREAD  
 M= TAIL LENGTH A=2.54 [.100], M3 x 0.5 THREAD  
 P= TAIL LENGTH A=3.81 [.150], M3 x 0.5 THREAD  
 SINGLE PORT

**NOTES:**

- MATERIAL:**  
 ALL MATERIALS ARE RoHS COMPLIANT PER EU DIRECTIVE 2002/95/EC AND AMENDMENTS  
 • SHELL - DIECAST ZINC, NICKEL PLATED  
 • CONTACTS - PHOSPHOR BRONZE WITH 50 MICROINCHES (1.27 MICRONS) GOLD OVER 50 MICROINCHES (1.27 MICRONS) MINIMUM NICKEL ON THE MATING AREA AND MATTE TIN OVER NICKEL ON THE CONTACT TAILS.  
 • INSERTS - ENGINEERING THERMOPLASTIC, UL FLAMMABILITY RATING 94V-0, REAR INSERTS: BLACK, FRONT INSERT: CLEAR  
 • LED'S - EPOXY LENS, STEEL TAILS WITH TIN PLATING  
 • GASKET - SILICONE RUBBER
- ENVIRONMENTAL PERFORMANCE PER IEC 60529 CODE IP67 FOR SEAL BETWEEN MATING AREA AND PCB SIDE OF CONNECTOR. GASKET PROVIDES FOR SEAL TO INSIDE FACE OF PANEL.**
- CURRENT RATING: 1.5 AMPERES**
- CONTACT RESISTANCE: 30 MILLIOHMS MAXIMUM**
- OPERATING TEMPERATURE: -40C TO +105C**
- MINIMUM IMPEDANCE (FERRITE): 38 OHMS AT 25 MHZ**



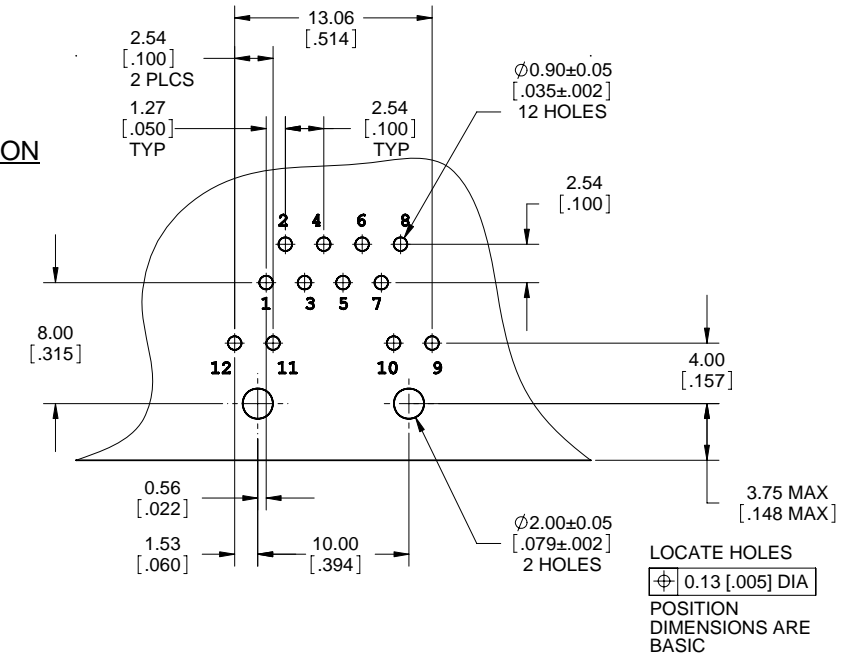
**PROPRIETARY AND CONFIDENTIAL**  
 THIS DOCUMENT CONTAINS PROPRIETARY INFORMATION AND SUCH INFORMATION MAY NOT BE DISCLOSED TO OTHERS FOR ANY PURPOSE OR USED FOR MANUFACTURING PURPOSES WITHOUT WRITTEN PERMISSION FROM AMPHENOL CANADA CORP.

UNLESS OTHERWISE SPECIFIED:		DATE	Amphenol Canada Corp.
DIMENSIONS ARE IN MILLIMETERS		DRAWN: G. LI	
DIMENSIONS ARE IN MILLIMETERS		DESIGNED	MRJ SERIES RUGGED MODULAR JACK, EMI FILTERED, 8 & 10 POSITION RIGHT ANGLE, WITH LED, TAIL LENGTH & THREAD OPTIONS, RoHS COMPLIANT
FRACTIONAL ±		CHECKED	
ANGULAR MATCH ± BEND ±		I. E. APPRD.	SIZE DWG. NO. REV C P-MRJ-63XX-X1 B
TWO PLACE DECIMAL ±		D. A. APPRD.	
THREE PLACE DECIMAL ±		ENG. REL. NO. EAR 13217	SCALE: 3:1 WEIGHT: SHEET 1 OF 2
INTERPRET GEOMETRIC TOLERANCING PER:		DWG. APPRD. K. LAMBIE	
MATERIAL		DATE	
FINISH	REF.	DATE	
NEXT ASSY	USED ON	DATE	
APPLICATION	DO NOT SCALE DRAWING	DIMENSIONS ARE IN MILLIMETERS	CODE ID. NO.

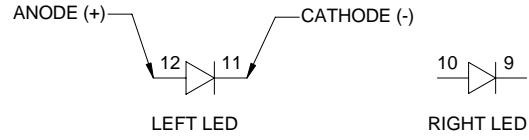
REVISIONS			
REV	ECN, ERN NO.	DATE	APPRD.
B	PRODUCT DRAWING (EAR 13542)	MAY26/09	K.L.

### RECOMMENDED P.C.B. LAYOUT

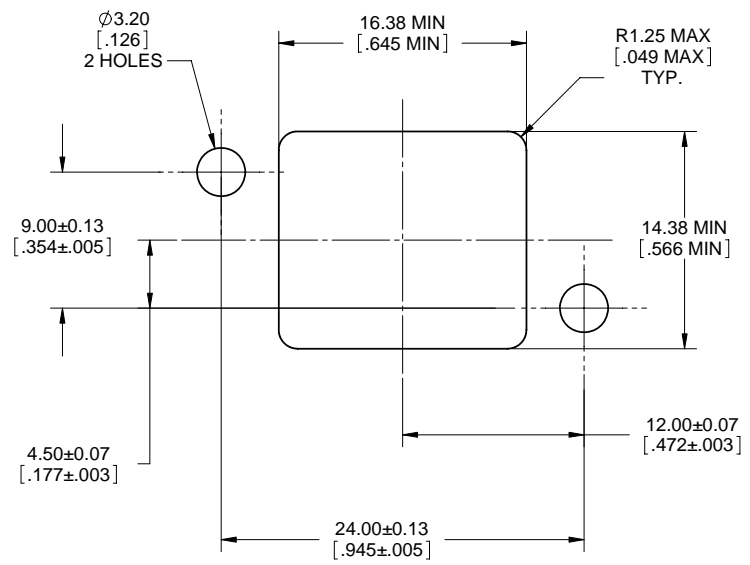
#### 8 POSITION VIEW



LOCATE HOLES  
 $\varnothing 0.13$  [.005] DIA  
 POSITION DIMENSIONS ARE BASIC

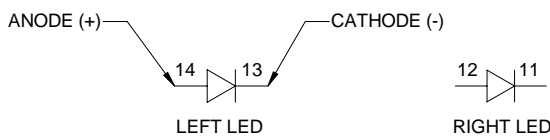
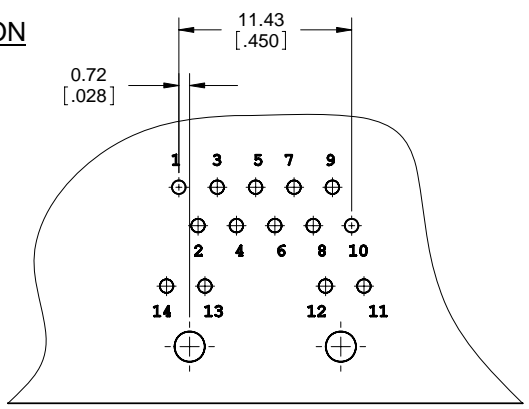


#### 8 POSITION LED SCHEMATIC (GREEN OR YELLOW)



### RECOMMENDED PANEL CUTOUT

#### 10 POSITION VIEW



#### 10 POSITION LED SCHEMATIC (GREEN OR YELLOW)



PROPRIETARY AND CONFIDENTIAL  
 THIS DOCUMENT CONTAINS PROPRIETARY INFORMATION AND SUCH INFORMATION MAY NOT BE DISCLOSED TO OTHERS FOR ANY PURPOSE OR USED FOR MANUFACTURING PURPOSES WITHOUT WRITTEN PERMISSION FROM AMPHENOL CANADA CORP.

UNLESS OTHERWISE SPECIFIED:		DATE	Amphenol Canada Corp.
DIMENSIONS ARE IN MILLIMETERS	DRAWN: G. LI	JAN18/08	MRJ SERIES RUGGED MODULAR JACK, EMI FILTERED, 8 & 10 POSITION RIGHT ANGLE, WITH LED, TAIL LENGTH & THREAD OPTIONS, RoHS COMPLIANT
TOLERANCES:	DESIGNED		
FRACTIONAL: ±	CHECKED		
ANGULAR: MATCH ± BEND ±	I.E. APPRD.		
TWO PLACE DECIMAL: ±	G. A. APPRD.		
THREE PLACE DECIMAL: ±	DWG. APPRD. K. LAMBIE	JAN18/08	SIZE DWG. NO. REV
INTERPRET GEOMETRIC TOLERANCING PER:	REF.	ENG. REL. NO. EAR 13217	C P-MRJ-63XX-X1 B
MATERIAL:	FINISH	DIMENSIONS ARE IN MILLIMETERS	CODE ID. NO.
APPLICATION	DO NOT SCALE DRAWING		SCALE: 4:1 WEIGHT: SHEET 2 OF 2