



# PRODUCT DATASHEET

## Lenina series

last update 31/10/2016

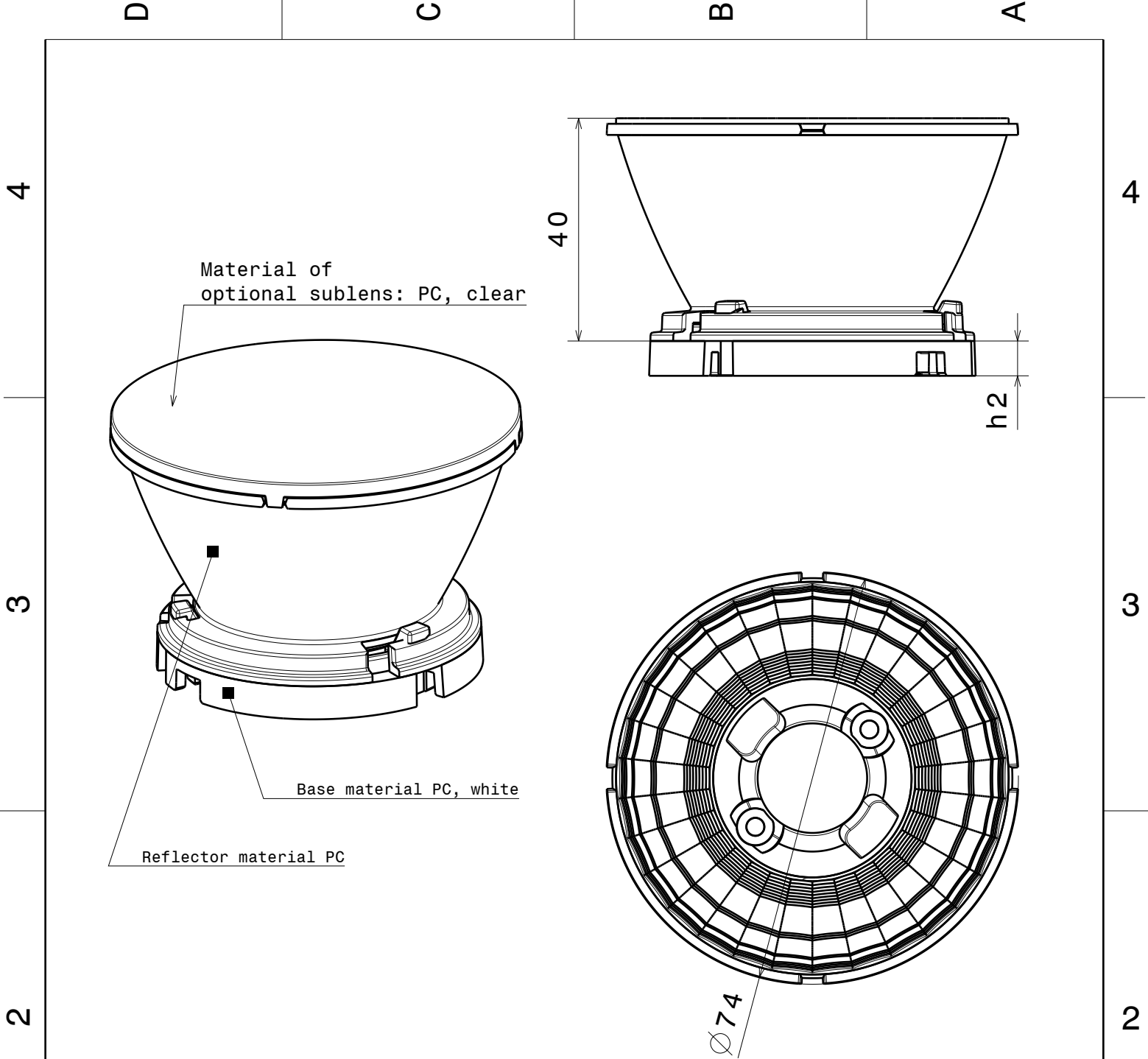
### DETAILS

<b>Product Number</b>	CN12660_LENINA-M-DL
<b>Family</b>	Lenina
<b>Type</b>	RefPack
<b>Color</b>	metal
<b>Diameter</b>	74 mm
<b>Height</b>	46,6 mm
<b>Style</b>	round
<b>Optic Material</b>	PC
<b>Holder Material</b>	
<b>Fastening</b>	screw
<b>Status</b>	production ready
<b>ROHS Compliant</b>	Yes
<b>Date Updated</b>	31/10/2016

### OPTICAL PROPERTIES

LED	Viewing Angle	Light Beam	Efficiency	cd/lm	Connector
BXRA RS	47 deg	Medium	80 %	1.220	-





**NOTE:**

Using optional sublens, add 2.1mm to the system height

Dimension 'h2' varies from 4.5mm to 7mm depending on the LED specific base part

This drawing is our property. It can't be reproduced or communicated without our written agreement.



Ledil Oy  
Salorankatu 10  
FIN-24240 SALO  
Finland

**DRAWING TITLE**

**Datasheet Lenina series**

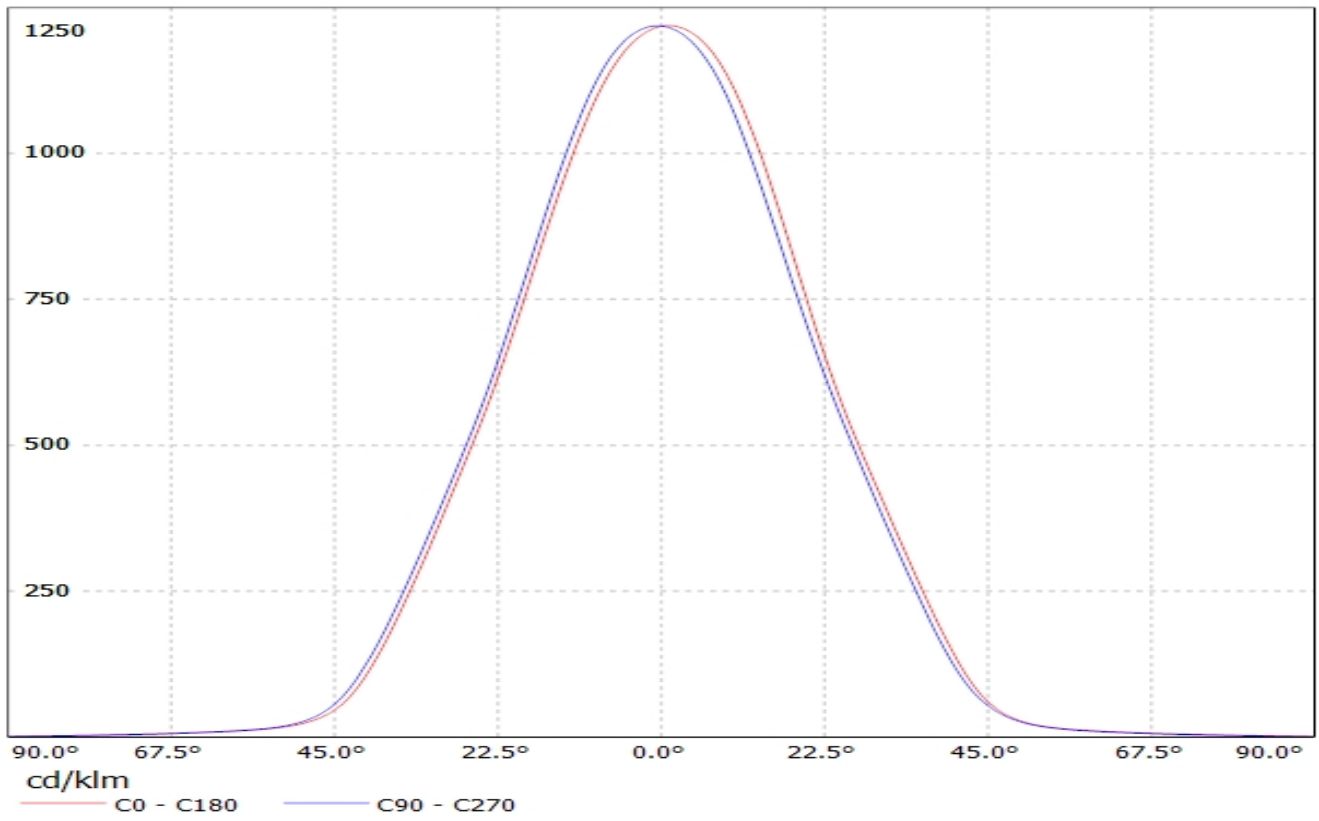
<b>DRAWN BY</b> ks		<b>DATE</b> 23.04.2014		<b>SIZE</b> A4		<b>DRAWING NUMBER</b> --		<b>REV</b> 1	
<b>CHECKED BY</b>		<b>DATE</b>						<b>SHEET</b> 1 / 1	
<b>DESIGNED BY</b> pl		<b>DATE</b> 08.03.2012		<b>SCALE</b> 1 : 1		<b>WEIGHT (g)</b>			

D

A

# LEDIL OY CN12660\_LENINA-M-DL\_(BRXA\_RS) / LDC (Linear)

Luminaire: LEDIL OY CN12660\_LENINA-M-DL\_(BRXA\_RS)  
Lamps: 1 x Bridgelux RS (591.4lm)



**NOTE: The typical divergence will be changed by different color, chip size and chip position tolerance. The typical total divergence is the full angle measured where the luminous intensity is half of the peak value.**