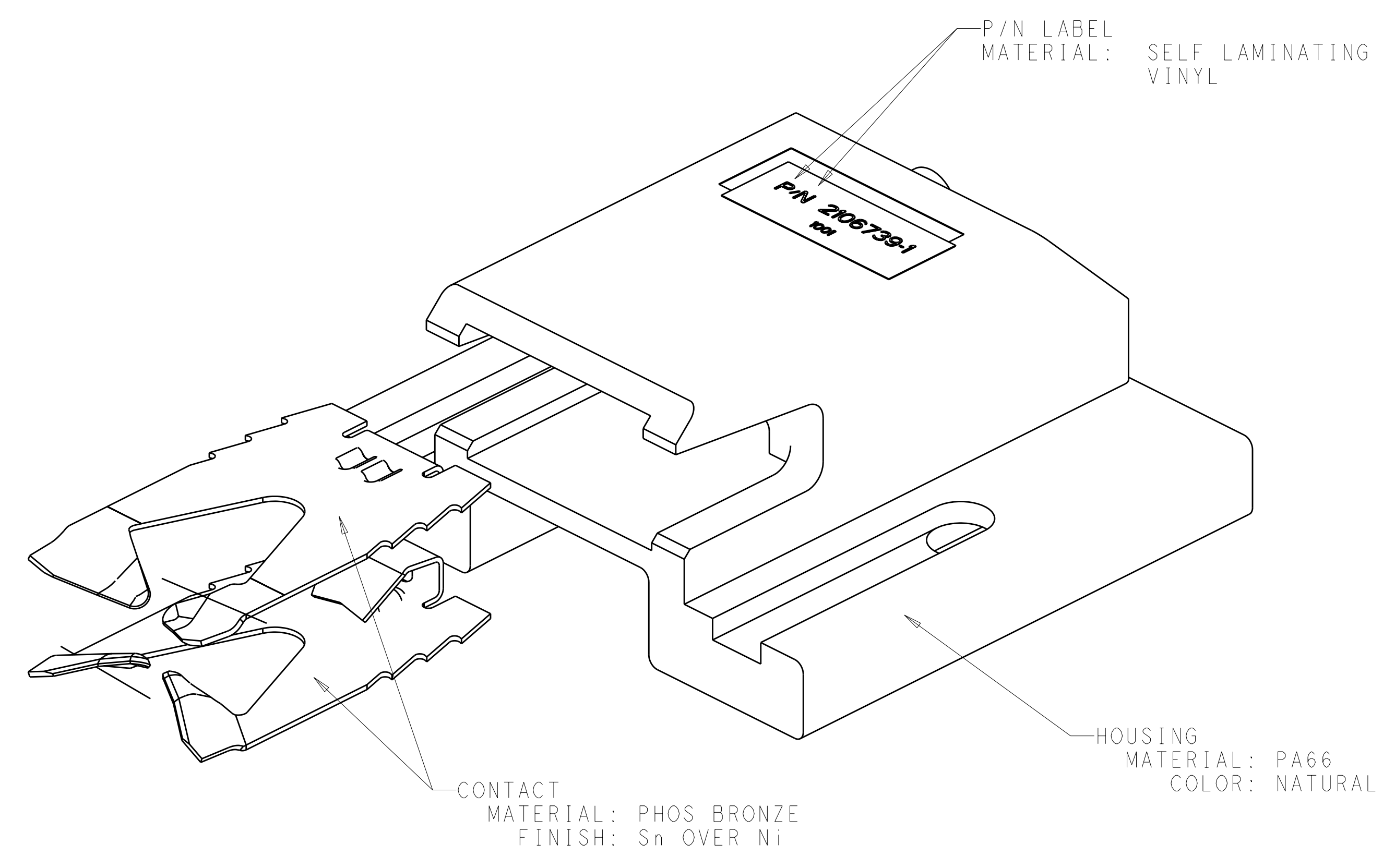
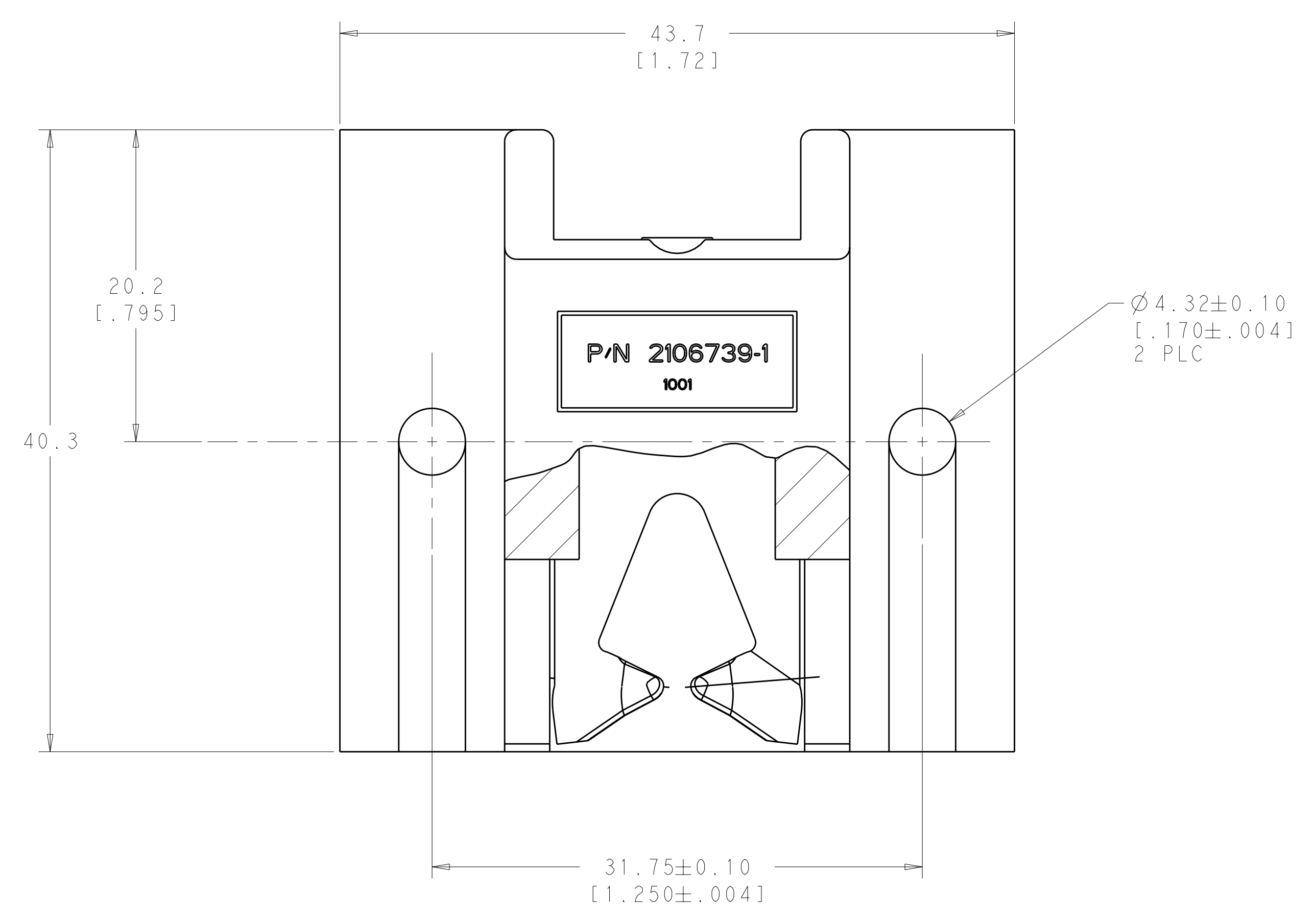
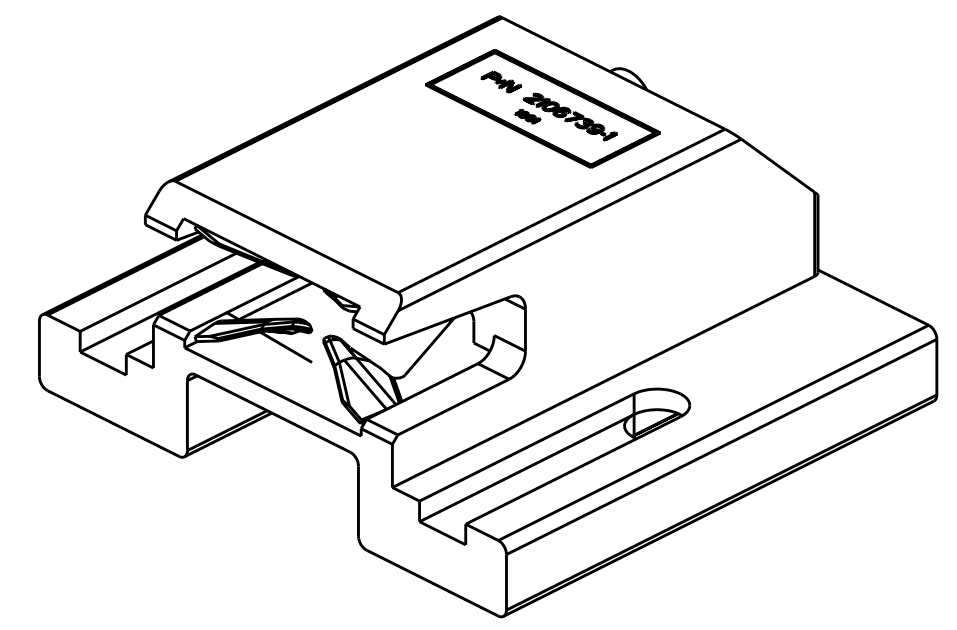
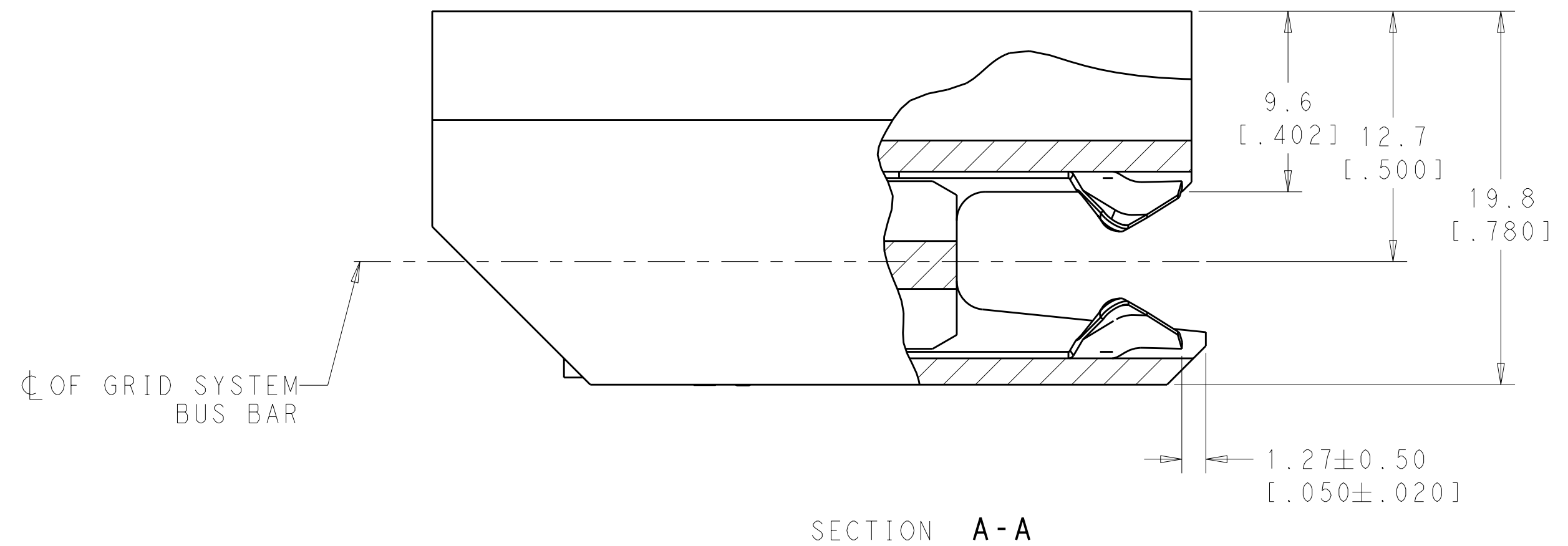
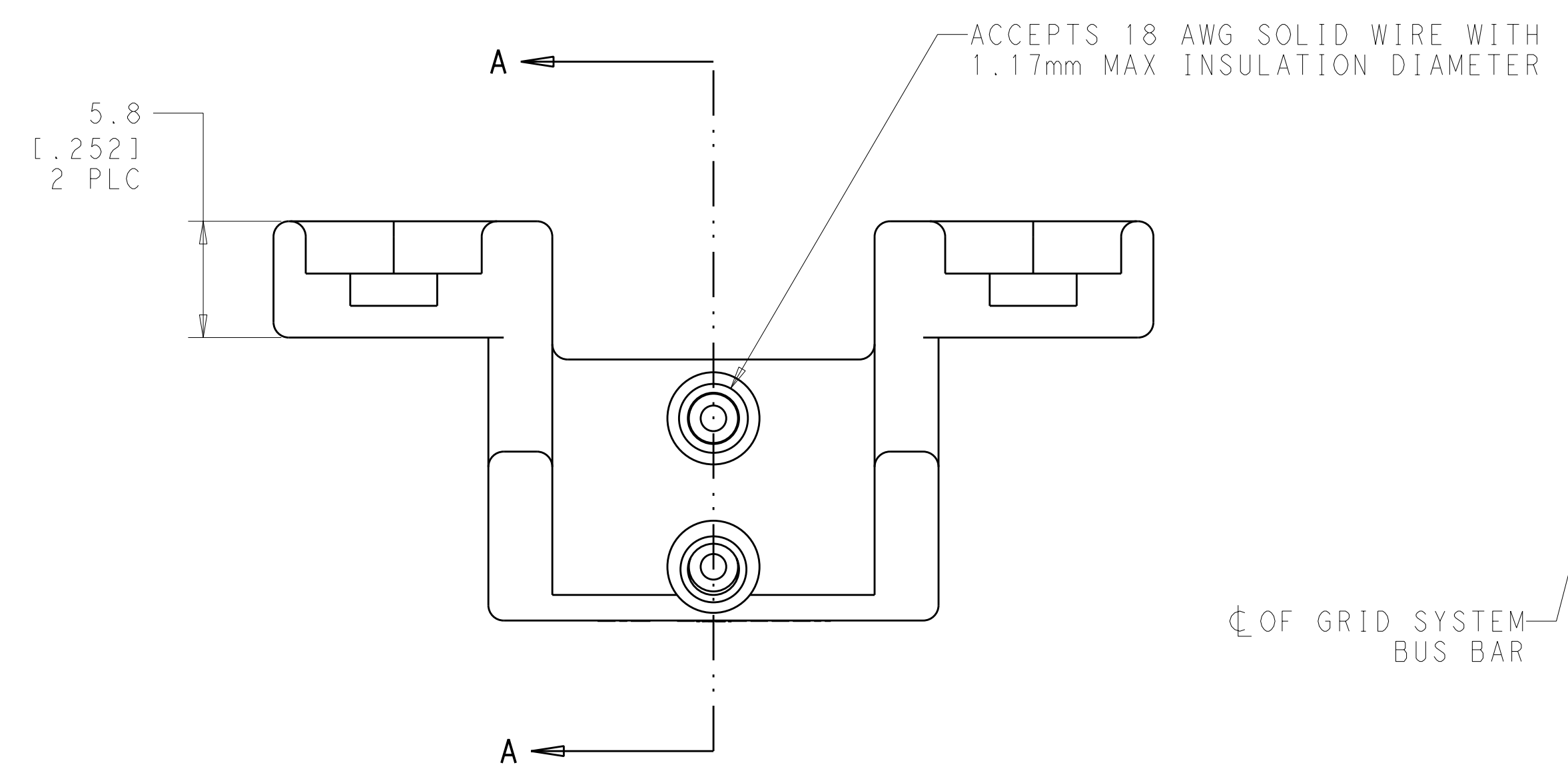
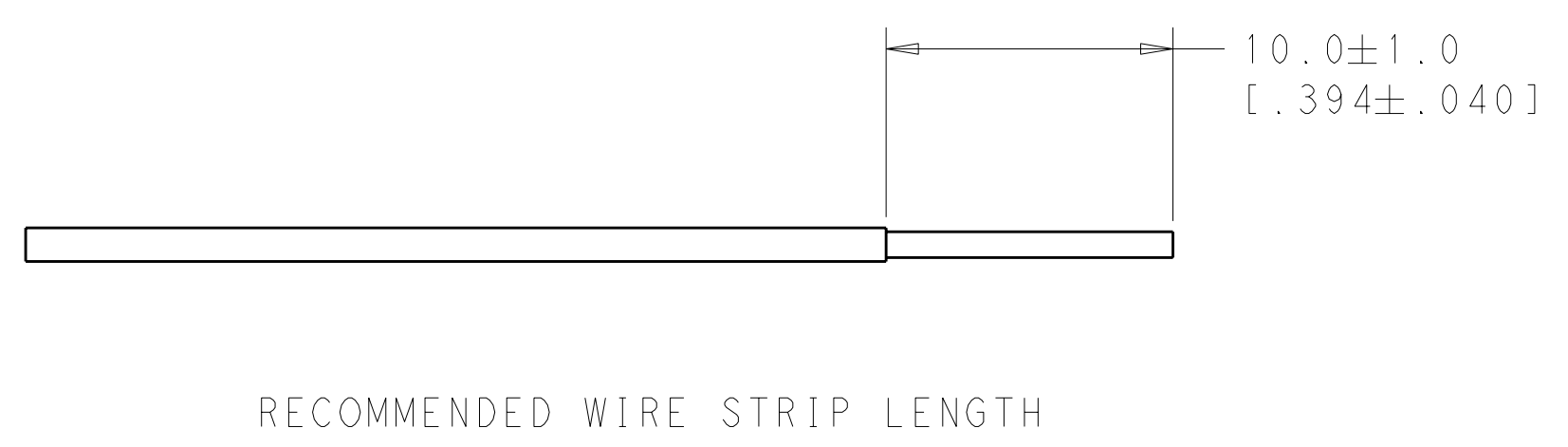


LOC	DIST	REVISIONS					
CM	00	P	LTR	DESCRIPTION	DATE	DWN	APVD
		A		SEE ECO-11-019559	27SEP2011	GIP	MTL
		B		SEE ECO-11-025607	27DEC2011	GIP	MTL

1. DIRECTIVE 2002/95/EC (ROHS) COMPLIANT.



EXPLODED VIEW FOR REFERENCE ONLY



2106739-1
PART NUMBER

THIS DRAWING IS A CONTROLLED DOCUMENT.		DWN: 09SEP12009	SOMASHEKHAR S. P.	
DIMENSIONS: mm		CHK: S. HEADER	12OCT2009	
TOLERANCES UNLESS OTHERWISE SPECIFIED:		APVD: M. LUKSIC	27SEP2011	
9 PLC	±	PRODUCT SPEC		
3 PLC	±0.2	108-2414		
5 PLC	±	APPLICATION SPEC		
4 PLC	±	114-13275		
ANGLES	±2°	WEIGHT		
MATERIAL		CUSTOMER DRAWING		
		SCALE: 2:1		SHEET 1 OF 1
		REV B		



ASSEMBLY DC FIXTURE

SIZE: A100779 C=2106739