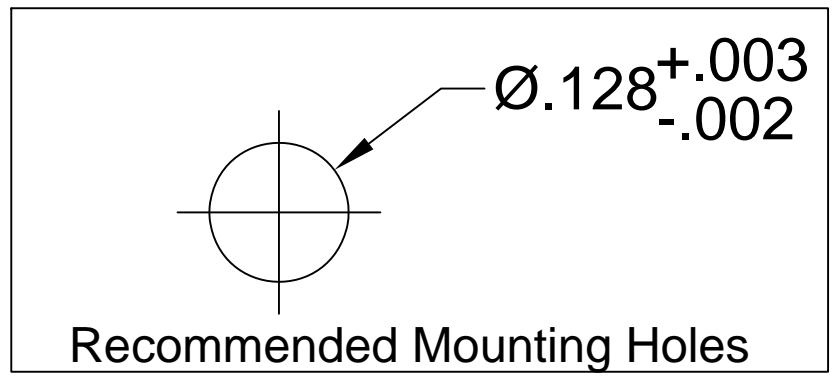
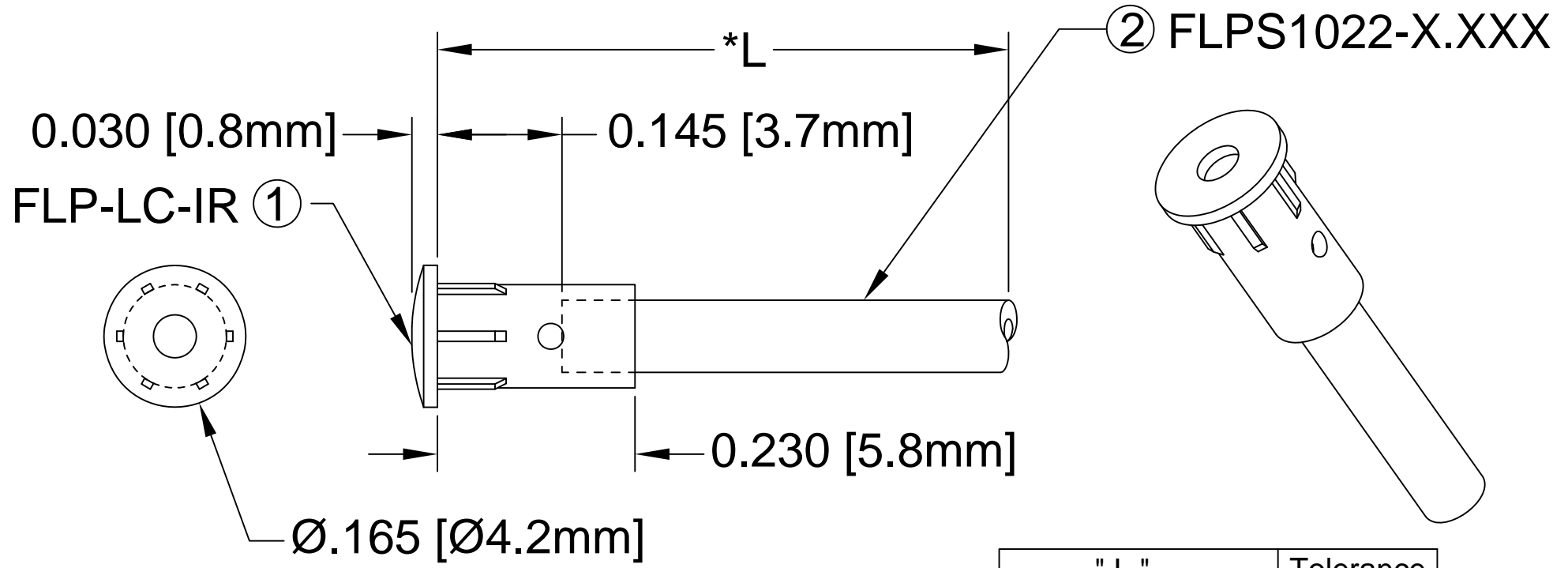



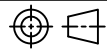
ITEM	Q'TY	PART NUMBER	PART DESCRIPTION
1	1	FLP-LC-IR	HOLDER CAP, FLEXIBLE LIGHT-PIPE, IR
2	1	FLPS1022-X.XXX	LIGHT PIPE CABLE, CUT LENGTH IN INCHES

REV.	DESCRIPTION	DATE	APPROVED
B	Engineering Update w/o Changes	03/08/04	M. C.
C	Dimensioning Update w/o Changes	01/05/05	M. C.
D	Updated Fiber In BOM	11/14/12	T. Y.
E	Added Note 2	10/06/16	J. C.



" L "	Tolerance
0.750" ~ 16.000"	±0.050"
16.100" ~ 40.000"	±0.150"
40.100" ~ 80.000"	±0.300"
80.100" ~ 3,940.0"	±0.5%

NOTE:
 1. ALLOWABLE CUT LENGTH IS UP TO 3 DECIMAL PLACES.
 2. MINIMUM BEND RADIUS OF FLEXIBLE LIGHT PIPE: 0.87" [22mm].

STANDARD TOLERANCE (UNLESS OTHERWISE SPECIFIED)		 4 THOMAS, IRVINE, CA. 92618 TEL: (949) 951-8808 FAX: (949) 951-3974			
DECIMALS	ANGULAR				
.X ±.1	X° ± 1°		TITLE: LENS CAP / FLP ASSEMBLY, INFRARED ROUND		
.XX ±.02			DESIGNED: D. Green	DATE: 03/24/03	PART NO: LC-IR-XX.X
.XXX ±.010		CHECKED: M. Chen	DATE: 03/24/03	CAGE CODE : 32559	SHEET # 1 OF 1
CAD GENERATED DOCUMENT. DO NOT MEASURE DRAWING.					