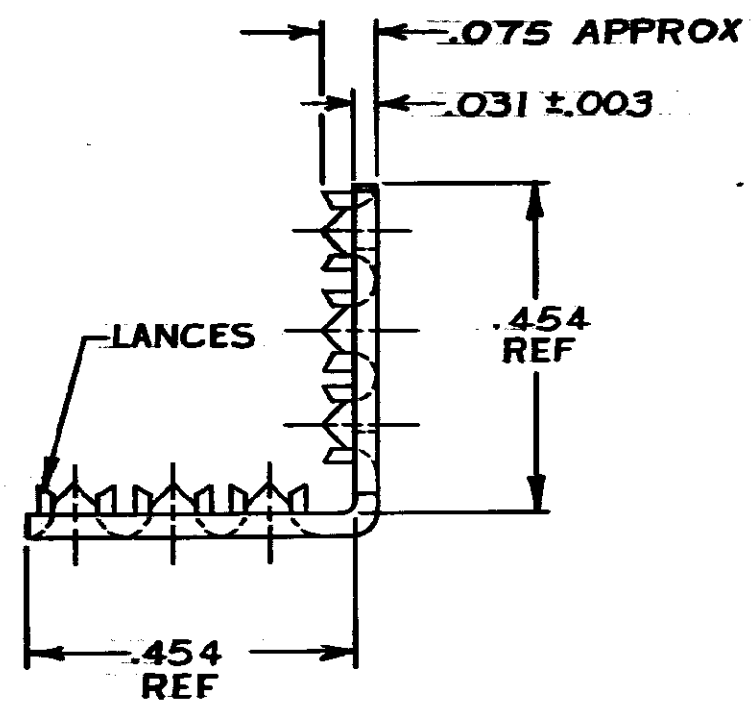
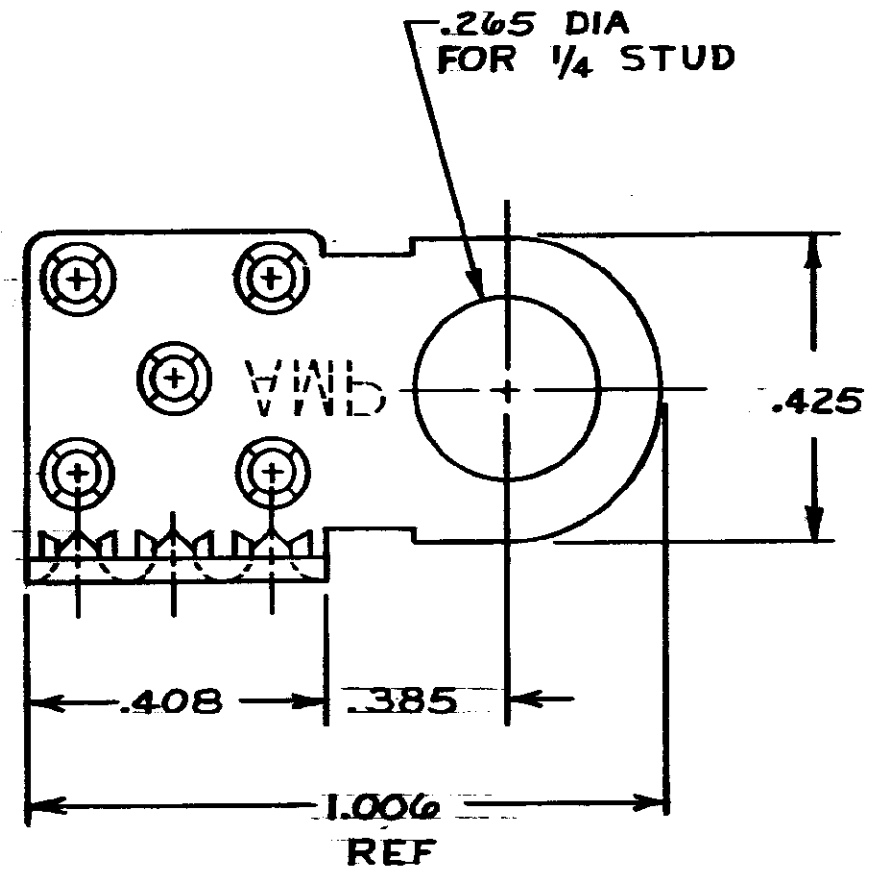


© COPYRIGHT 1980 BY AMP INCORPORATED, HARRISBURG, PA.  
 ALL INTERNATIONAL RIGHTS RESERVED. AMP INCORPORATED PRODUCTS  
 COVERED BY U. S. AND FOREIGN PATENTS AND/OR PATENTS PENDING.

REVISIONS						
P	F	ZONE	LTR	DESCRIPTION	DATE	APPROVED
✓	✓		O	REL P80-20013	PA 4/17/80	PA
✓	✓		A	REV U-1456	PA 6/17/80	PA
✓	✓		B	REV U-1509	CP 9/19/80	PA
✓	✓		C	REV PER G-5581	11/6/90	DKS/AJK



AS SHOWN	276959-2
REMARKS	PART NO

UNLESS OTHERWISE SPECIFIED DIMENSIONS ARE IN INCHES. TOLERANCES ON: DECIMALS ±.008 ANGLES ± 5°	CONTRACT NO	AMP INCORPORATED Harrisburg, Pa.		
	DR <i>P. M. ...</i> 3/10/80			NAME
	MATERIAL COPPER-ANNEALED (QQ-C-576)	CHK <i>Craig Pierce</i> 4-17-80	TERMI-FOIL TAP	
	FINISH TIN PLATE (MIL-T-10727)	APPD <i>...</i> 3/10/80	SIZE <b>B</b>	CODE IDENT NO <b>00779</b>
	OTHER APPD <i>RE Dotted</i> 9/11/80	SCALE 4:1	SHEET	