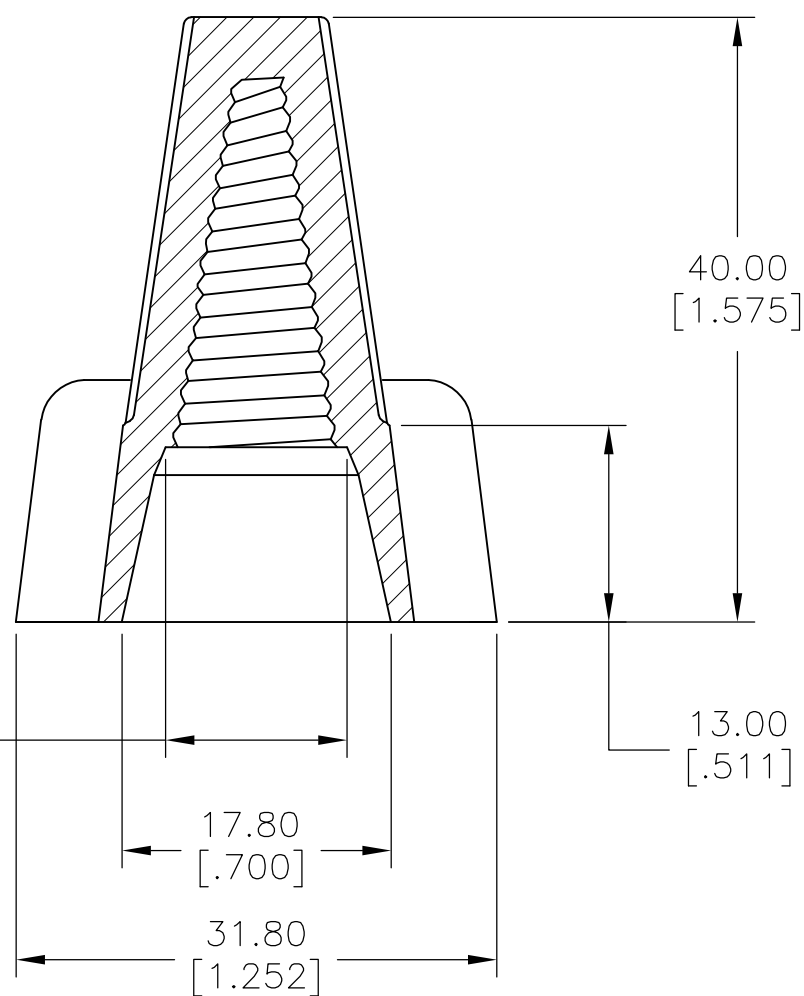
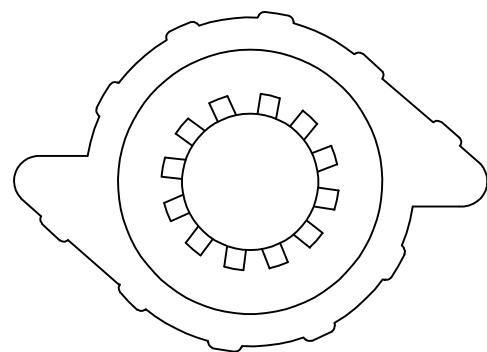


THIS DRAWING IS UNPUBLISHED. RELEASED FOR PUBLICATION
 © COPYRIGHT - By - ALL RIGHTS RESERVED.

| REVISIONS | | | | |
|-----------|-----|-------------|-----------|-------|
| P | LTR | DESCRIPTION | DATE | APVD |
| | A | NEW DRAWING | 16JAN2016 | NK RH |



- 1 WORKING TEMPERATURE: 105° C
- 2 VOLTAGE: 600V MAX.
- 3 COLOR: BLUE
- 4 WIRE RANGE: #14-#6 AWG. MAX.3#8
W/1 #12 MIN.2#10 W/1#12
- 5 SPRING INSERT: STEEL

2299506-1 AS SHOWN

| | | | | | | | |
|---|--|-----------------------------------|-----------------|-----------------|--------------------|-------------------------|--------------------|
| THIS DRAWING IS A CONTROLLED DOCUMENT. | | DWN NAGALAKSHMI K 16JAN2016 | TE Connectivity | | | | |
| DIMENSIONS: mm [INCHES] | | CHK HILL RYAN 16JAN2016 | | | | NAME | |
| | | APVD HILL RYAN 16JAN2016 | PRODUCT SPEC | | | | |
| TOLERANCES UNLESS OTHERWISE SPECIFIED: 0 PLC ± - 1 PLC ± 0.2[.007] 2 PLC ± 0.4[.015] 3 PLC ± - 4 PLC ± - ANGLES ± - | | APPLICATION SPEC | | | RESTRICTED TO | | |
| MATERIAL TOUGH THERMOPLASTIC UL 94V-2 FLAME-RETARDANT | | FINISH - | WEIGHT - | SIZE A3 | CAGE CODE 00779 | DRAWING NO C-2299506 | RESTRICTED TO - |
| CUSTOMER DRAWING | | | SCALE 2:1 | SHEET 1 OF 1 | REV A | | |