

# EMG 90-2SD-D/LA

Order No.: 2941523

The illustration shows the German double socket EMG90-2SD-D/LA




<http://eshop.phoenixcontact.de/phoenix/treeViewClick.do?UID=2941523>

Rail-mountable double socket, with glow lamp, green housing



## Commercial data

GTIN (EAN)	 4 017918 080495
sales group	H070
Pack	2 pcs.
Customs tariff	85366990
Catalog page information	Page 602 (IF-2009)

## Product notes

WEEE/RoHS-compliant since:  
01/01/2005



<http://www.download.phoenixcontact.com>  
Please note that the data given here has been taken from the online catalog. For comprehensive information and data, please refer to the user documentation. The General Terms and Conditions of Use apply to Internet downloads.

## Technical data

### General data

Nominal voltage $U_N$	250 V AC
Nominal current $I_N$	16 A
Status display	Glow lamp or LED with preresistor

Contact material	CuZn37
For country-specific use in	D
Color	green
Insulating material	PC-F
Ambient temperature (operation)	-20 °C ... 60 °C
Ambient temperature (storage/transport)	-20 °C ... 60 °C
Standards/regulations	IEC 83
	DIN 49440-1
Width	90 mm
Height	75 mm
Depth	70.5 mm

#### Connection data

Conductor cross section solid min.	0.2 mm <sup>2</sup>
Conductor cross section solid max.	4 mm <sup>2</sup>
Conductor cross section stranded min.	0.2 mm <sup>2</sup>
Conductor cross section stranded max.	2.5 mm <sup>2</sup>
Conductor cross section AWG/kcmil min.	24
Conductor cross section AWG/kcmil max	12
Type of connection	Screw connection
Stripping length	8 mm
Screw thread	M3

#### Certificates / Approvals



Certification

GOST, VDE-PZI

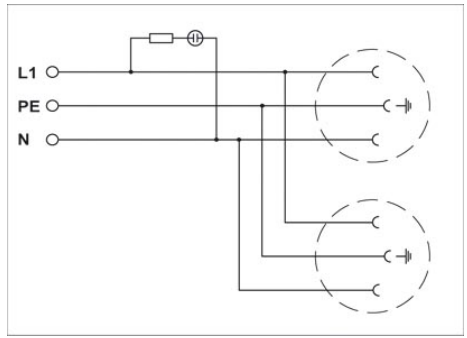
#### Accessories

Item	Designation	Description
<b>Marking</b>		
2947035	EMG-GKS 12	Equipment marker, width 12 mm
2947585	EMG-SGKS 10	Equipment marker, narrow

**Diagrams/Drawings**

Circuit diagram

---



**Address**

PHOENIX CONTACT Deutschland GmbH  
Flachmarktstr. 8  
32825 Blomberg, Germany  
Phone +49 5235 3 12000  
Fax +49 5235 3 41200  
<http://www.phoenixcontact.de>



© 2011 Phoenix Contact  
Technical modifications reserved;