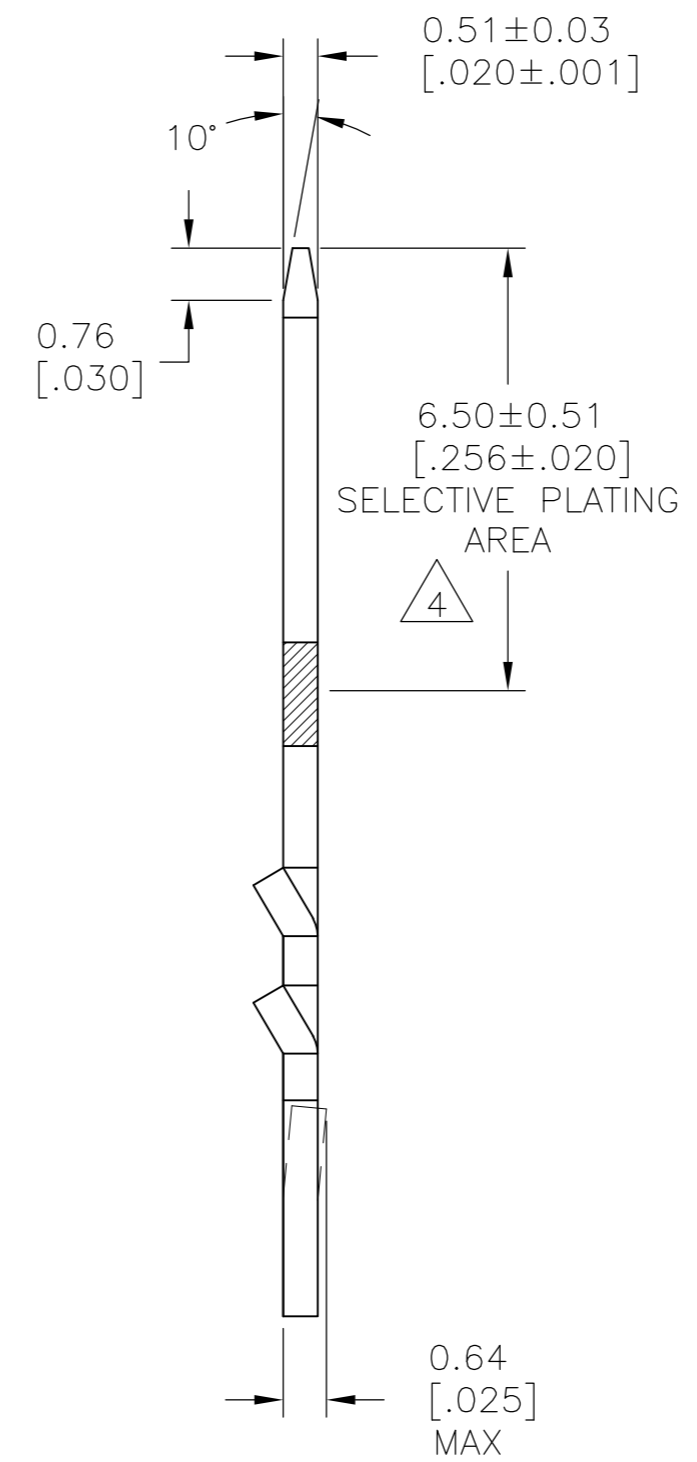
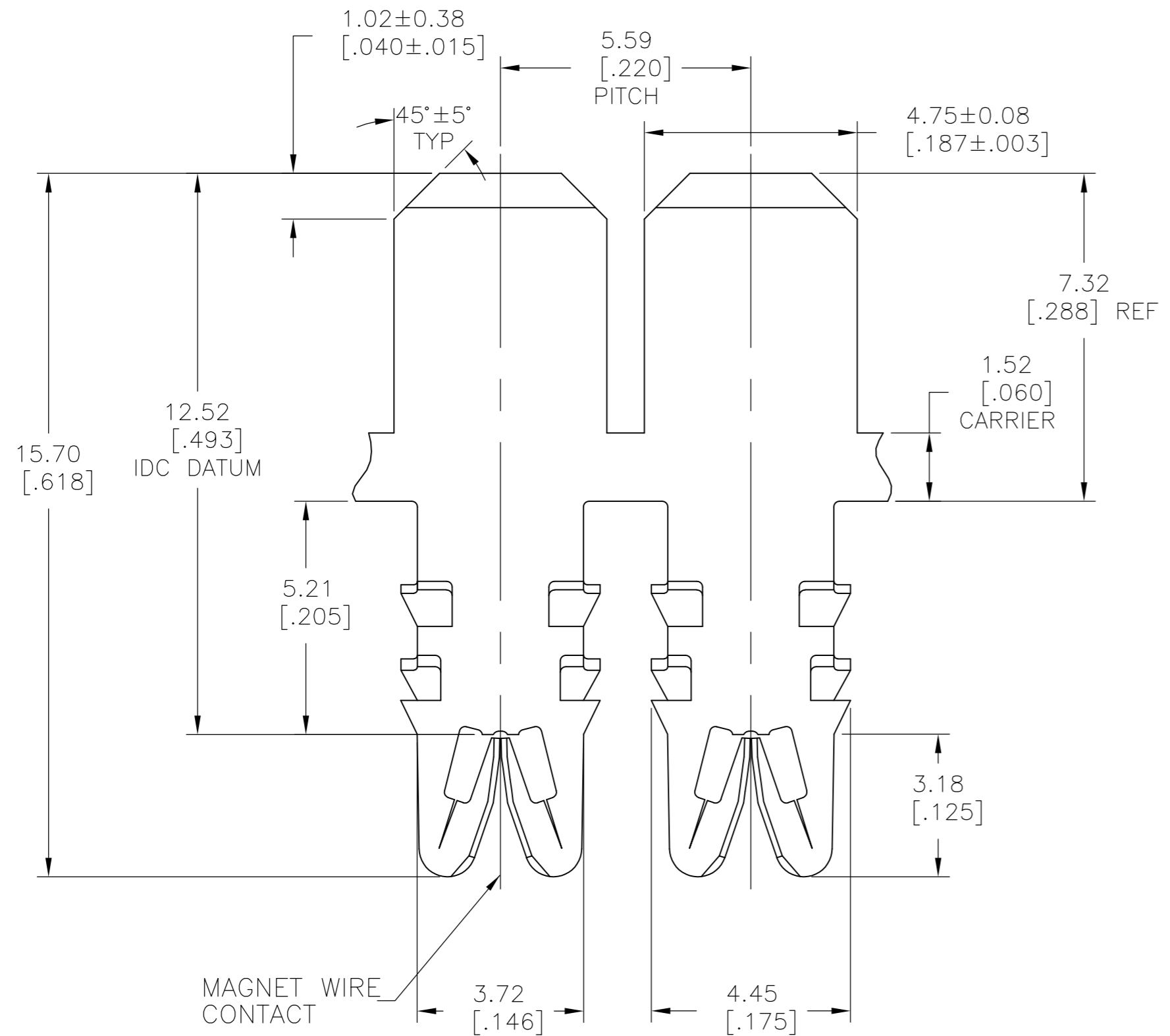
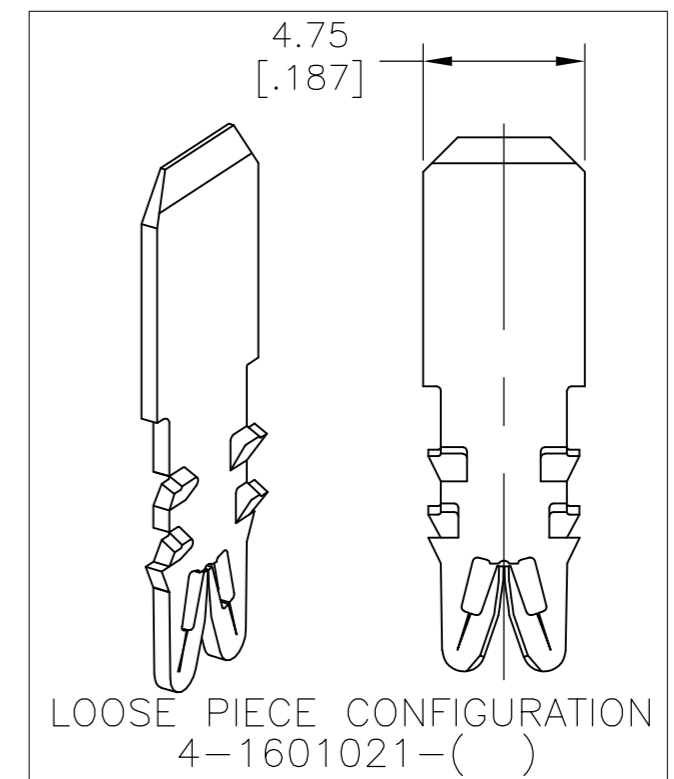


THIS DRAWING IS UNPUBLISHED. RELEASED FOR PUBLICATION  
 © COPYRIGHT - By - ALL RIGHTS RESERVED.

LOC	DIST	REVISIONS					
		P	LTR	DESCRIPTION	DATE	DWN	APVD
AF	50	G6		REVISED PER ECR-15-006440	24APR2015	GRZ	JL



- 1 SPECIFICATIONS:  
MAGNET WIRE #18- #34 AWG.  
1.02 [.040]- 0.16 [.006] DIA COPPER,
- 2 POCKET RECOMMENDATION:  
#1601425
- 3 SELECTIVE PLATE AREA:  
0.00076 [.000030] MIN GOLD PLATE OVER  
0.00127 [.000050] MIN NICKEL UNDERPLATE  
OVER ENTIRE TERMINAL.
- 4 SELECTIVE PLATE AREA 1.9 MICRONS [.000075] MIN SILVER. ENTIRE  
TERMINAL IS UNDERPLATED WITH NICKEL.
- 5 TERMINAL APPLICATION TO COMPLY WITH TYCO  
ELECTRONICS SPECIFICATION 114-13166  
FIGURE 6.
- 6 NON-STANDARD PACKAGING. ALL PLASTIC REEL AND  
PLASTIC INTERLEAVING. PLACED IN A PLASTIC BAG.
- 7 PRELIMINARY - NOT FOR PRODUCTION.



STANDARD	4	-	1601021-5
6	PRE-TIN PLATE OVER COPPER UNDERPLATE	-	7 3-1601021-4
STANDARD	3	-	7 2-1601021-3
STANDARD	3	-	7 1601021-3
STANDARD	UNPLATED	-	7 1601021-1
STANDARD	PRE-TIN PLATE OVER COPPER UNDERPLATE	-	3-1601021-2
STANDARD	PRE-TIN PLATE OVER COPPER UNDERPLATE	131-046-014	2-1601021-2
STANDARD	PRE-TIN PLATE OVER COPPER UNDERPLATE	131-047-014	1601021-2
PACKAGING	FINISH	REFERENCE PART NUMBER	TE PART NUMBER

THIS DRAWING IS A CONTROLLED DOCUMENT.

DWN	J.WELLER	11JAN2002
CHK	M.FEHER	11JAN2002
APVD	K.RANDOLPH	11JAN2002

TE Connectivity

NAME: STD RANGE WIRE TO .187 X .020 MULTI-BARB TAB SIAMEZE TERMINAL

SIZE	A2	CAGE CODE	00779	DRAWING NO	C=1601021	RESTRICTED TO	-
SCALE	9:1	SHEET	1 of 1	REV	G6		