

DETAILS

Product Number	CN13165_LENA-WAS
Family	Lena
Type	RefPack
Color	metal
Diameter	111 mm
Height	39,1 mm
Style	round
Optic Material	
Holder Material	
Fastening	screw, socket
Status	production ready
ROHS Compliant	Yes
Date Updated	31/10/2016



OPTICAL PROPERTIES

LED	Viewing Angle	Light Beam	Efficiency	cd/lm	Connector
LUXEON K12	Asymmetric deg	Asymmetric	82 %	1.300	-
LUXEON K16	Asymmetric deg	Asymmetric	81 %	1.140	-

D

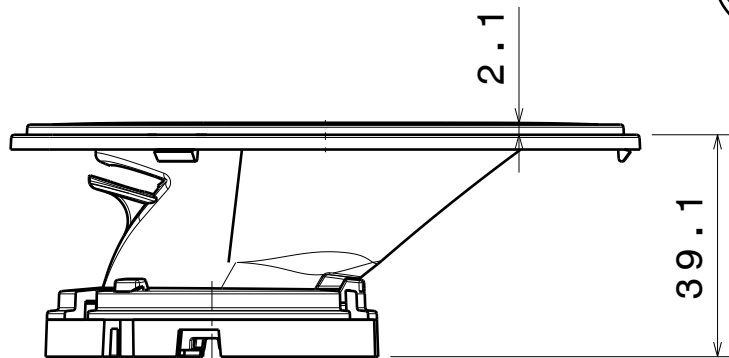
C

B

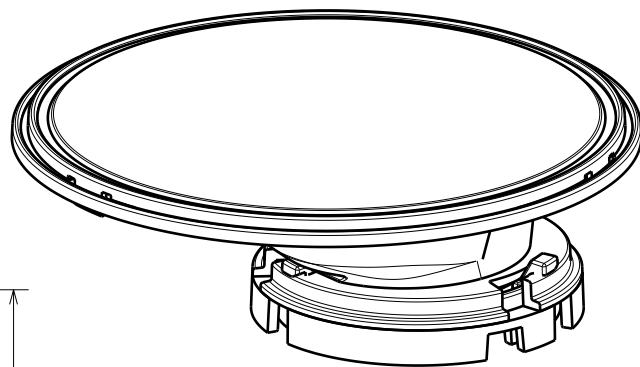
A

4

4



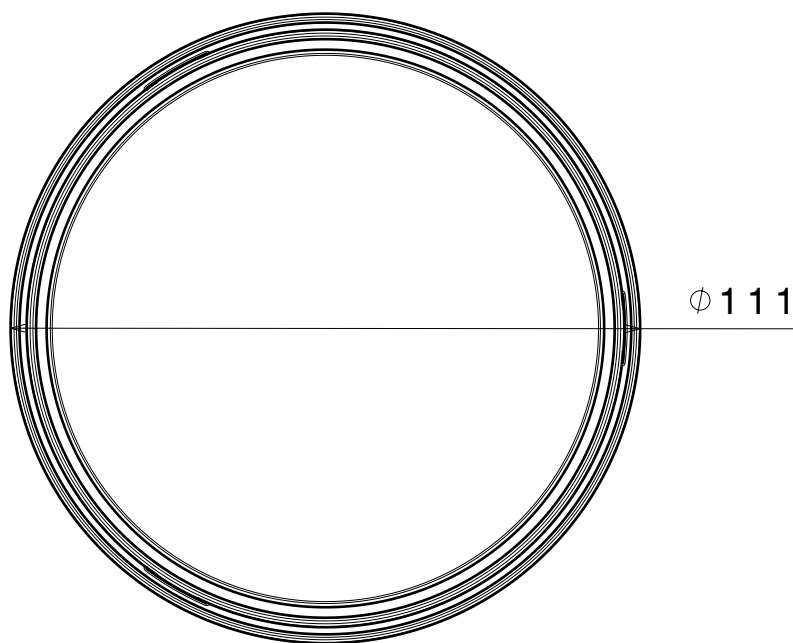
Front view



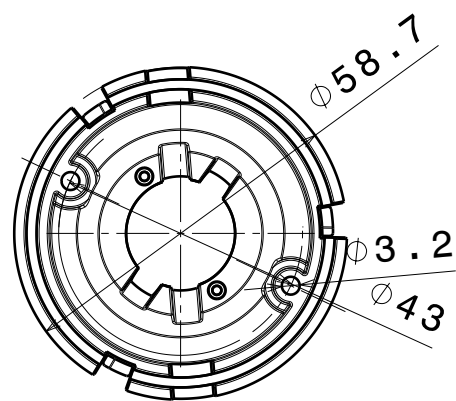
Isometric view

3

3



Top view



Materials

Reflector: PC
 Base part: PC
 Sublens: PC

Note: Using additional sublens add 2,1mm to total height.

2

2

1

1

This drawing is our property.
 It can't be reproduced
 or communicated without
 our written agreement.



Ledil Oy
 Salorankatu 10
 FIN 24240 SALO
 Finland

DRAWING TITLE | Mechanical drawing

DRAWN BY
 as

DATE
 26.9.2012

LENA-WAS

CHECKED BY
 VS

DATE
 -

SIZE
 A4

PART NUMBER

REV
 001

DESIGNED BY
 -

DATE
 -

SCALE

1:4

WEIGHT

- mg

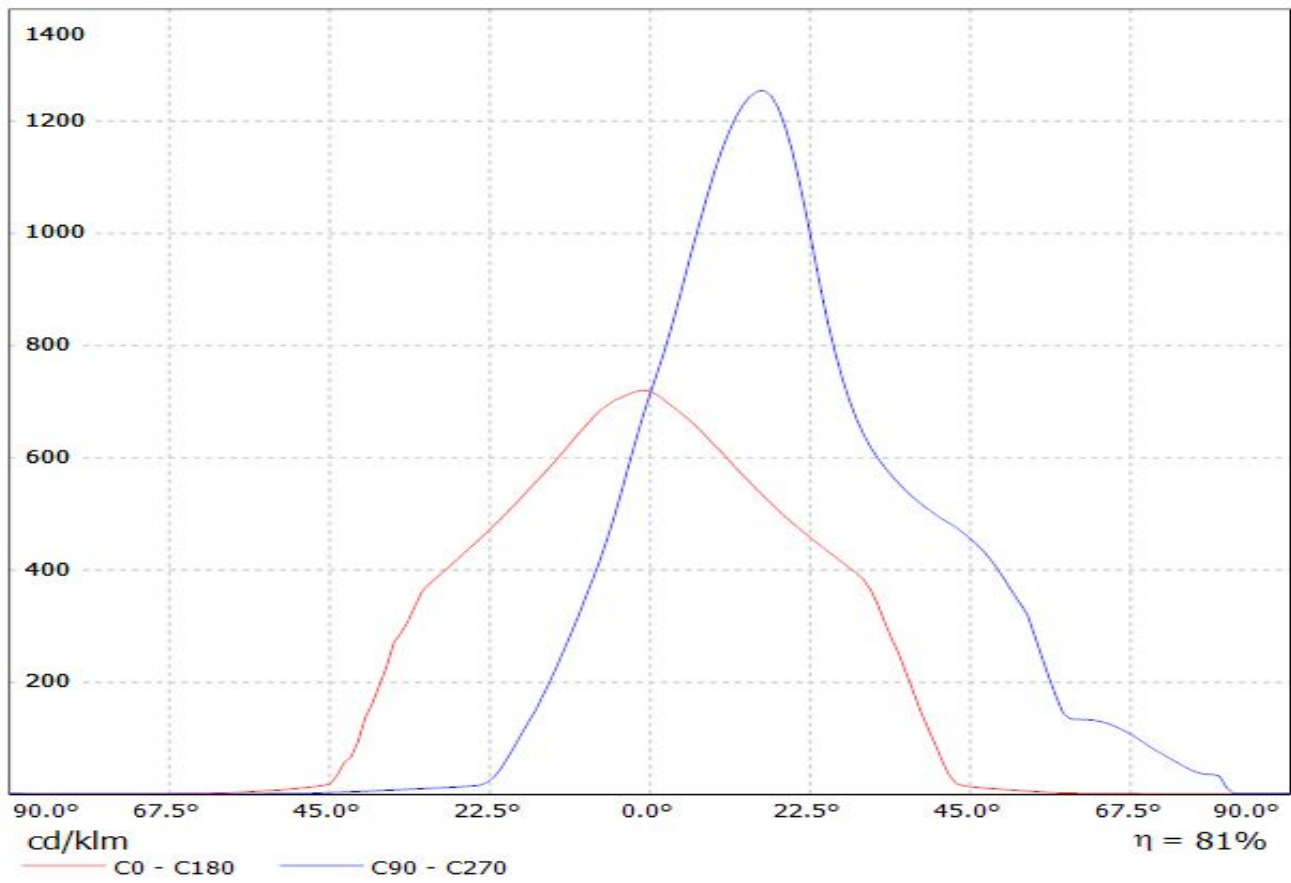
SHEET

1/1

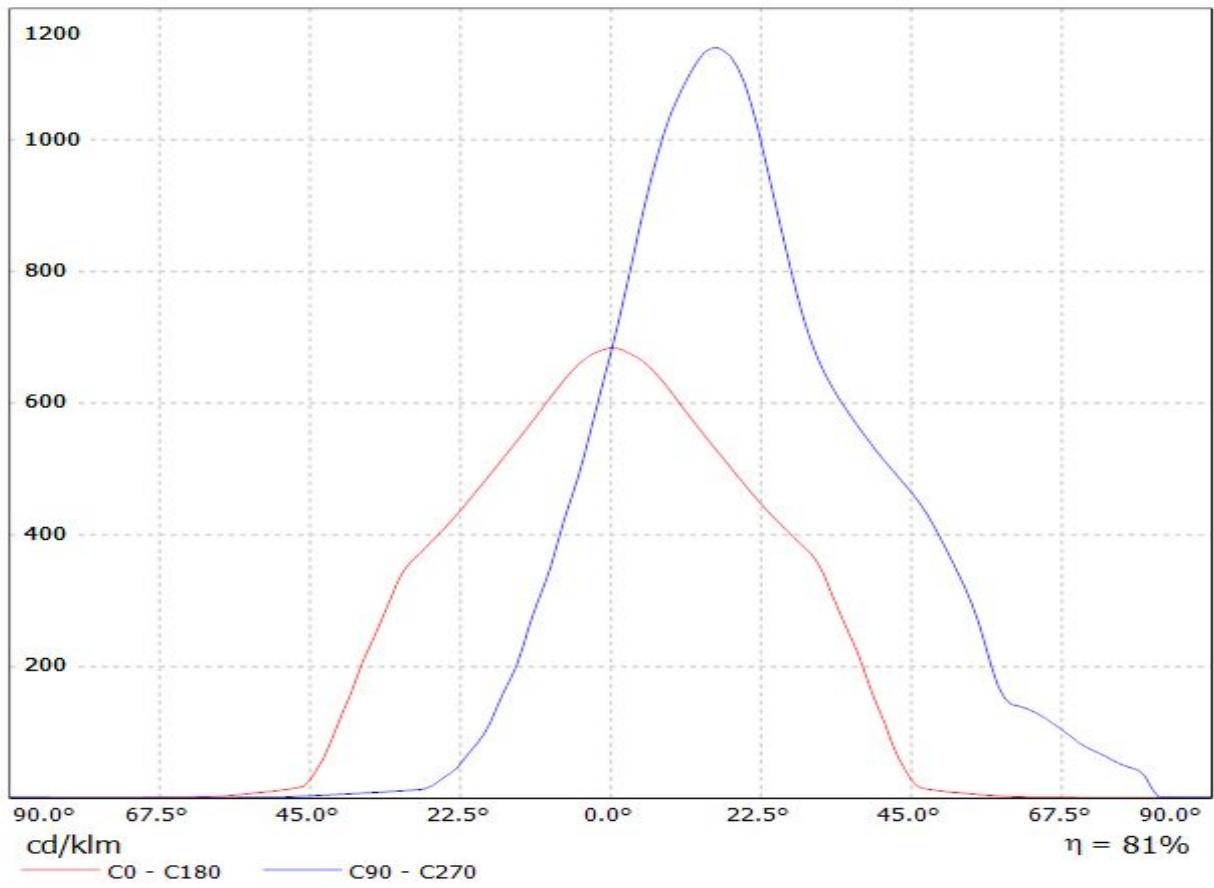
D

A

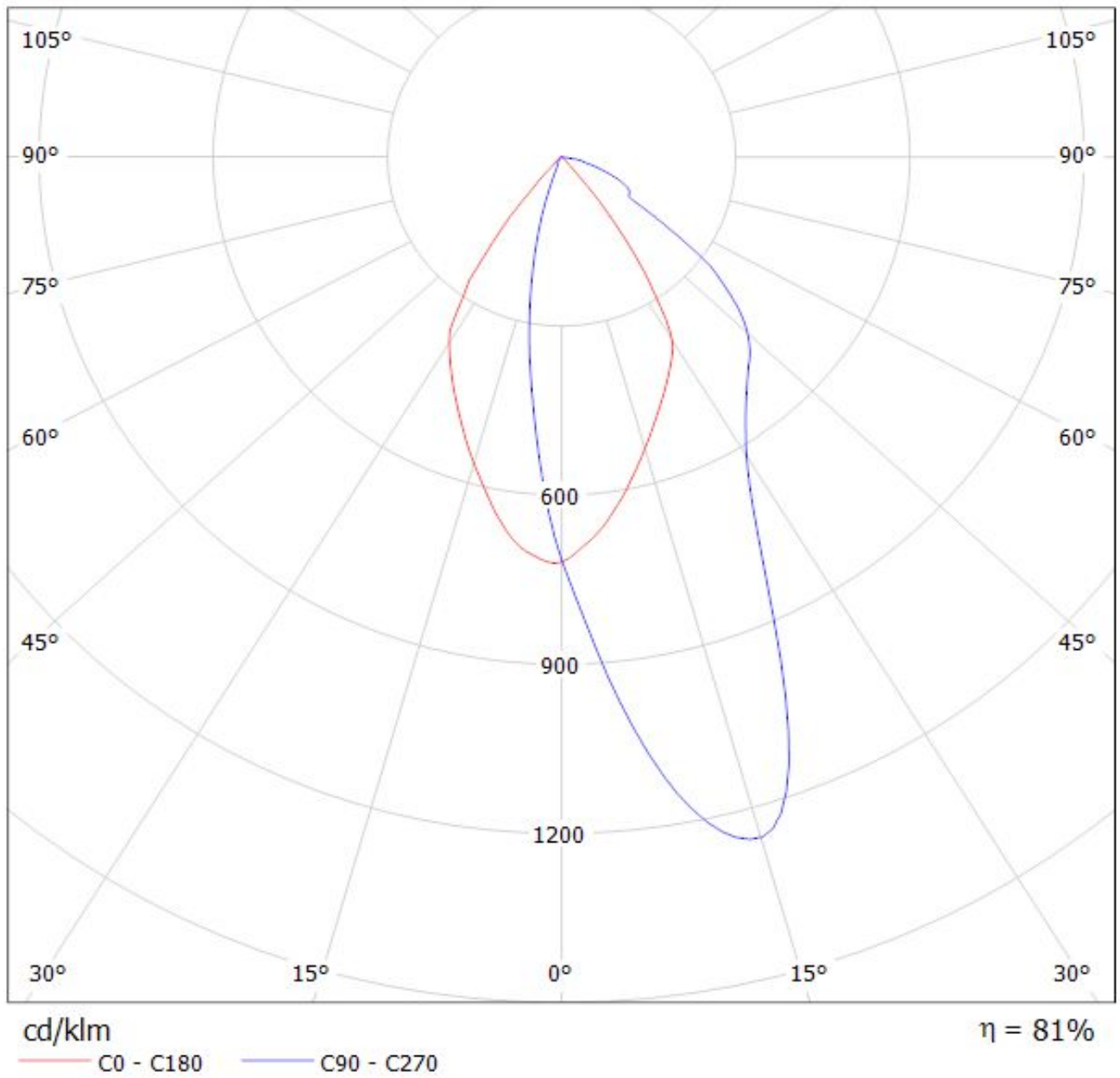
Luminaire: LEDiL Oy CN13165_LENA-WAS_(Luxeon_K12)
Lamps: 1 x Luxeon K12 (808.51lm@250mA)



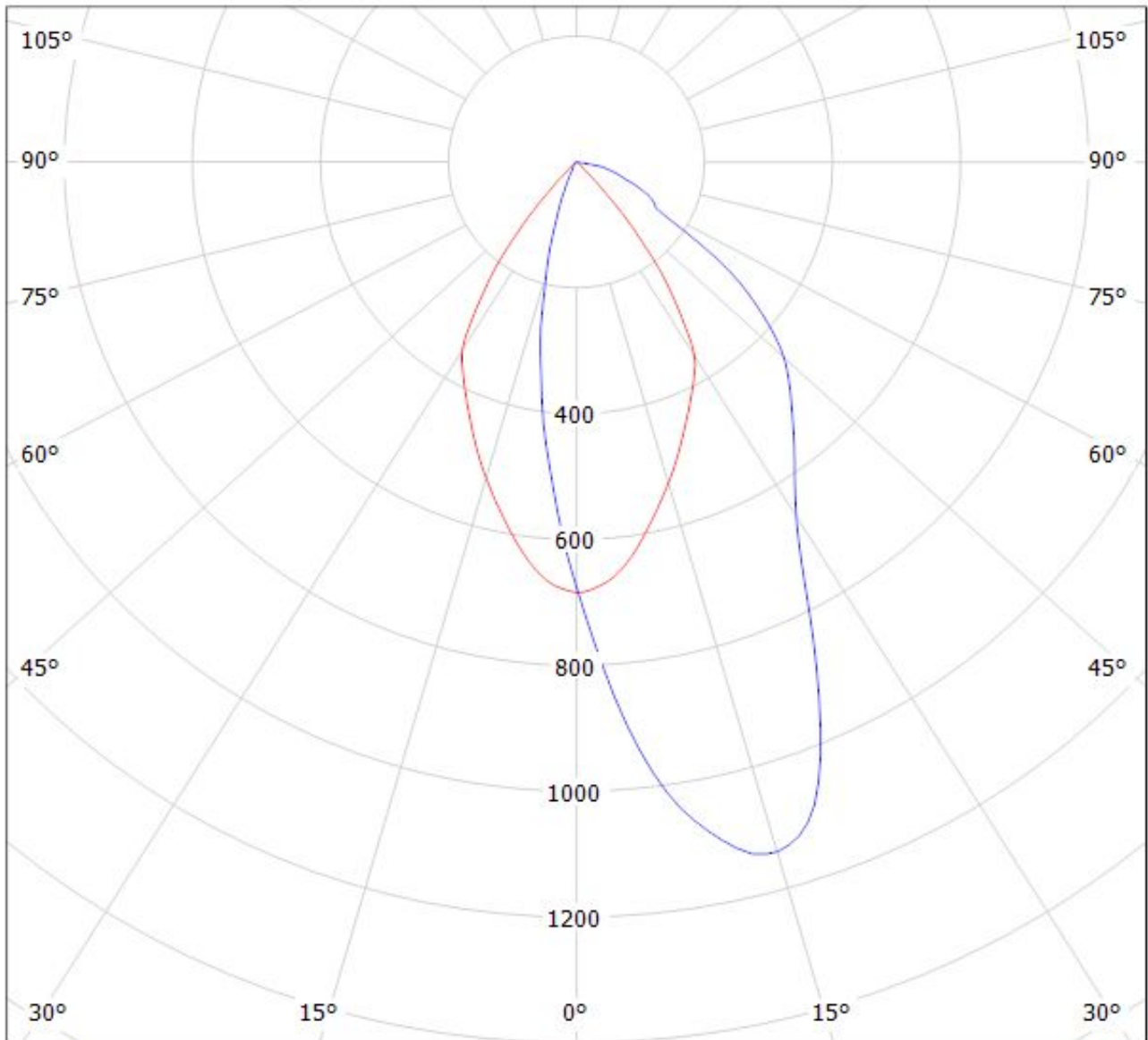
Luminaire: LEDiL Oy CN13165_LENA-WAS_(Luxeon_K16)
Lamps: 1 x Luxeon_K16 (1208.05lm@250mA)



Luminaire: LEDiL Oy CN13165_LENA-WAS_(Luxeon_K12)
Lamps: 1 x Luxeon K12 (808.5lm@250mA)



Luminaire: LEDiL Oy CN13165_LENA-WAS_(Luxeon_K16)
Lamps: 1 x Luxeon_K16 (1208.05lm@250mA)



cd/klm

— C0 - C180 — C90 - C270

$\eta = 81\%$

NOTE: The typical divergence will be changed by different color, chip size and chip position tolerance. The typical total divergence is the full angle measured where the luminous intensity is half of the peak value.