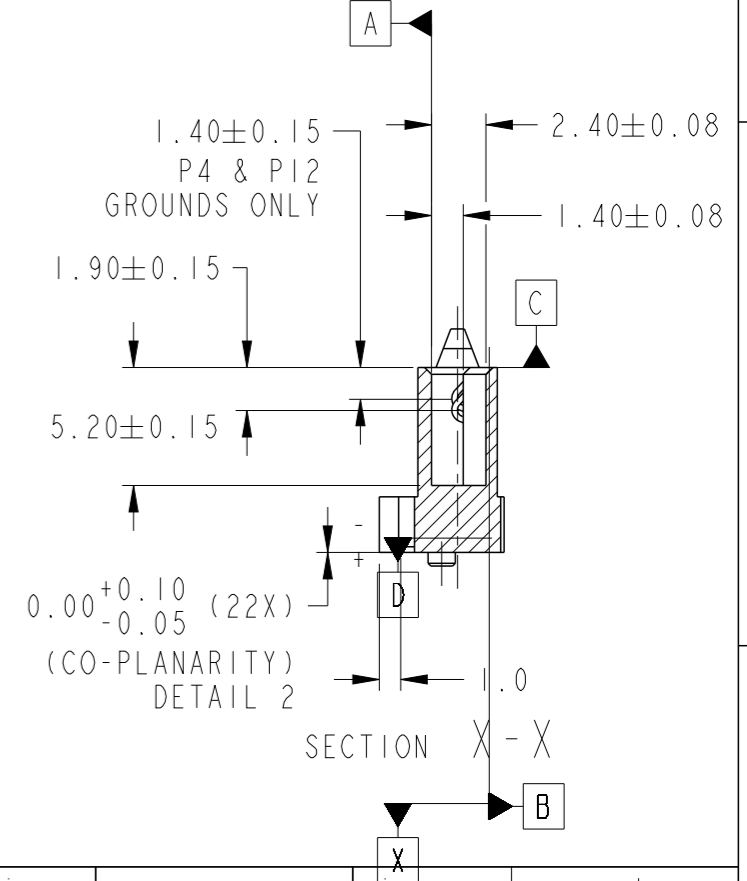
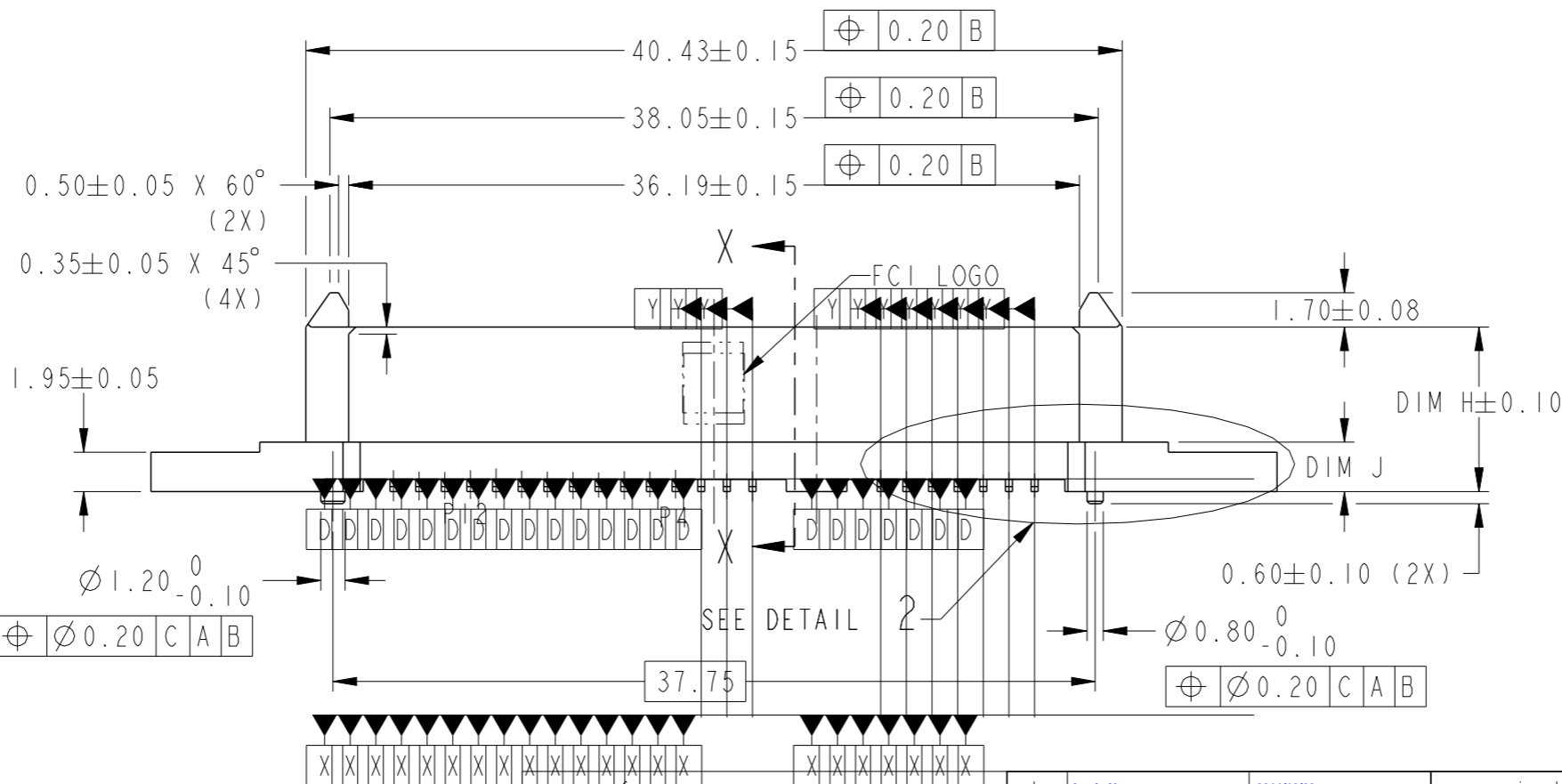
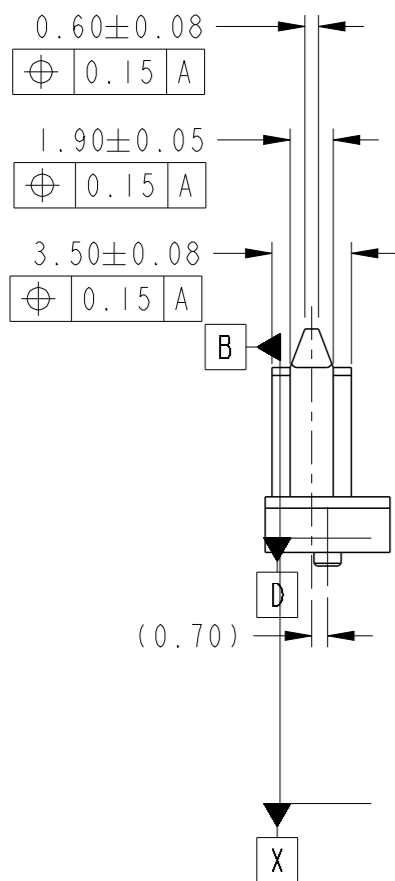
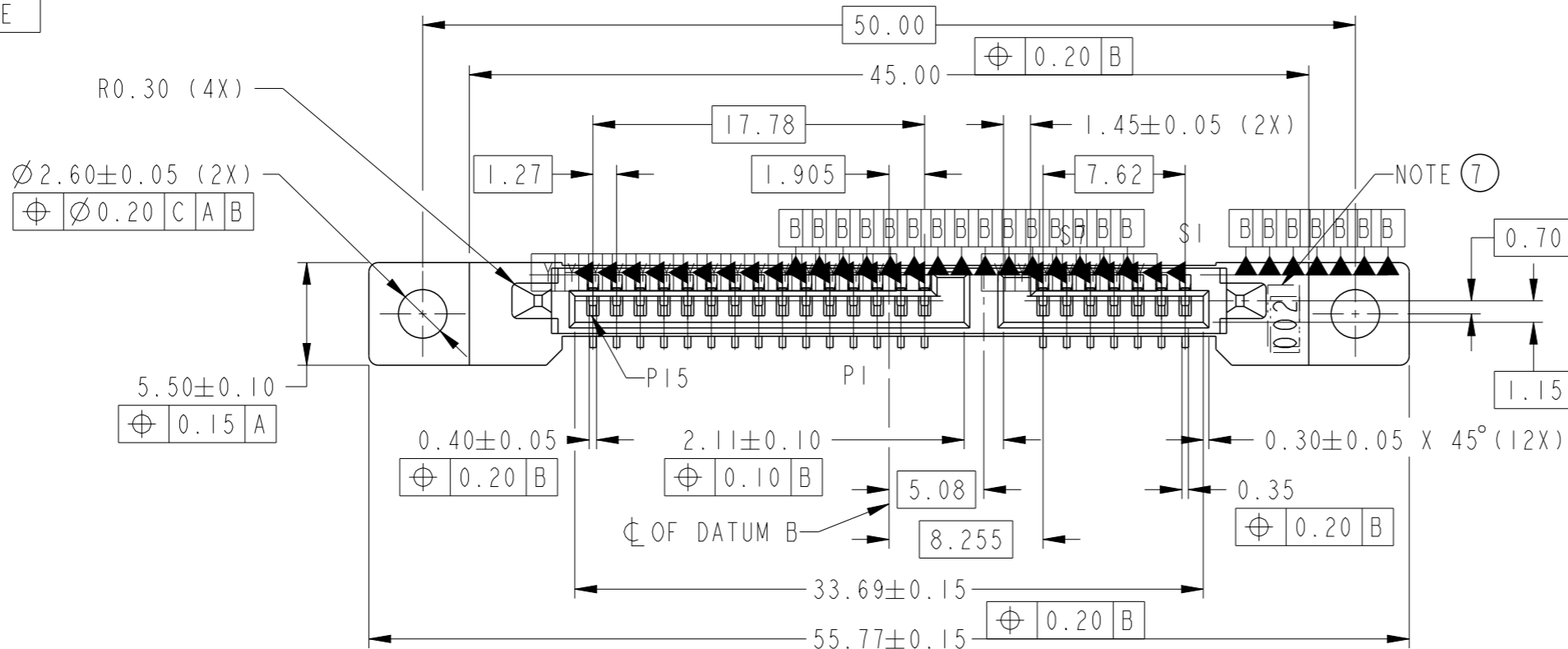


PRODUCT NO
SEE TABLE



Amphenol
FCi

© 2016 AFCI

dr	Louis Ng	2011/10/03
eng	Noorhazlinda	2017/03/16
chr	-	-
appr	Koon-Poh Tay	2017/04/03

tolerance std
ISO 406
ISO 1101

TOLERANCES UNLESS OTHERWISE SPECIFIED

surface	linear	0.X	± -
		0.XX	±0.20
		0.XXX	± -
	angular	0°	±3°

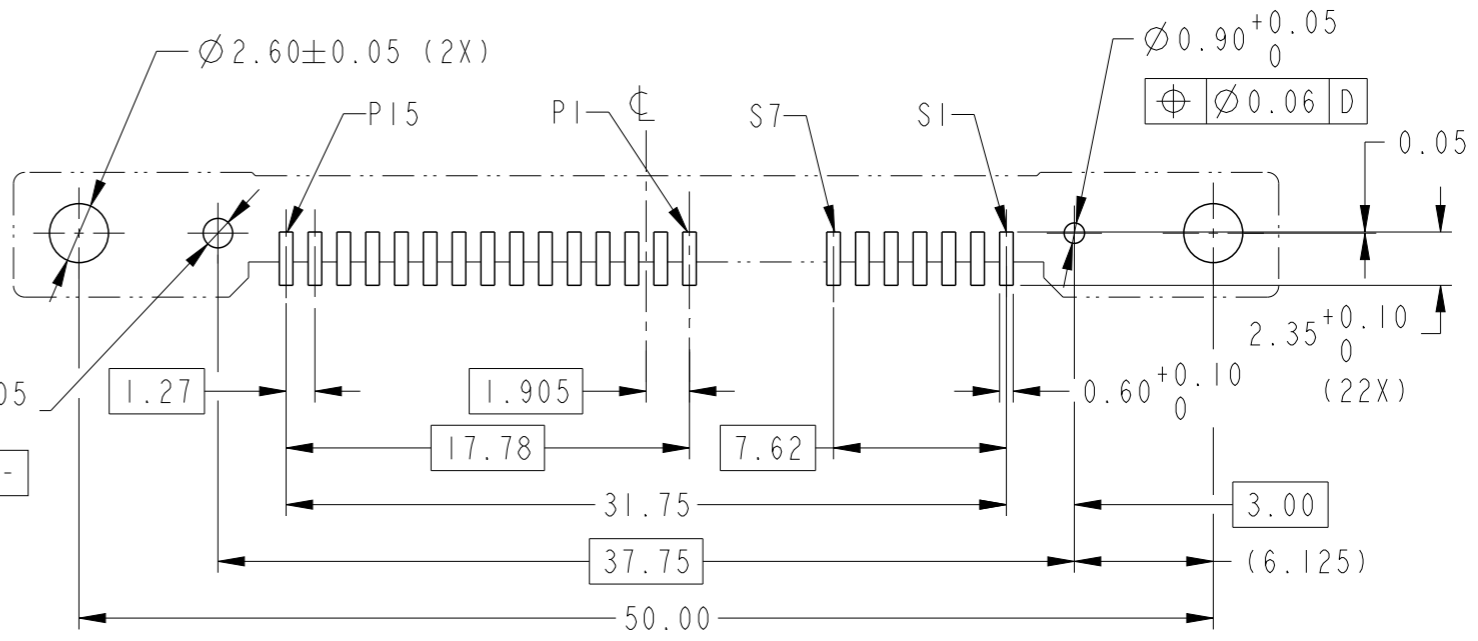
surface
ISO 1302

projection	MM	size	A3	scale	3:1
product family	S-ATA	ecn no	ELX-M-25503-1	rel level	Released
dwg no	10045103	rev	H		
cat. no.	-	Product - Customer Drw	sheet 1 of 3		

Amphenol
FCi

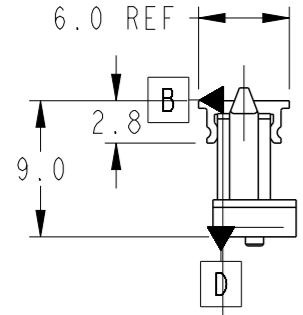
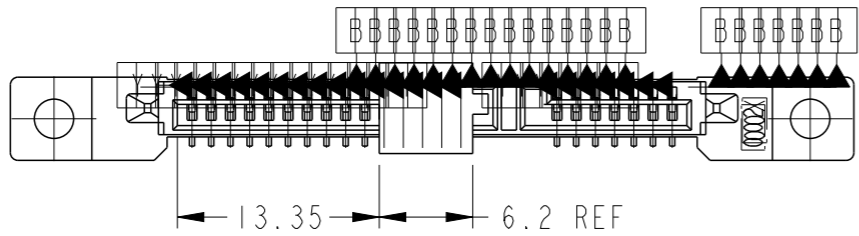
S-ATA COMB RECEP.
VERTICAL SMT TYPE ASSY

PRODUCT NO	DIM H	DIM J	PICK-UP CAP	PACKAGING
10045103-001LF	8.15	2.45	NO	TRAY
10045103-001CLF			YES	TRAY
10045103-001C-TRLF			YES	TAPE & REEL
10045103-002LF	8.45	2.75	NO	TRAY
10045103-002CLF			YES	TRAY
10045103-002C-TRLF			YES	TAPE & REEL
10045103-002ILF			YES	TRAY
10045103-002I-TRLF	8.45	2.75	YES	TAPE & REEL

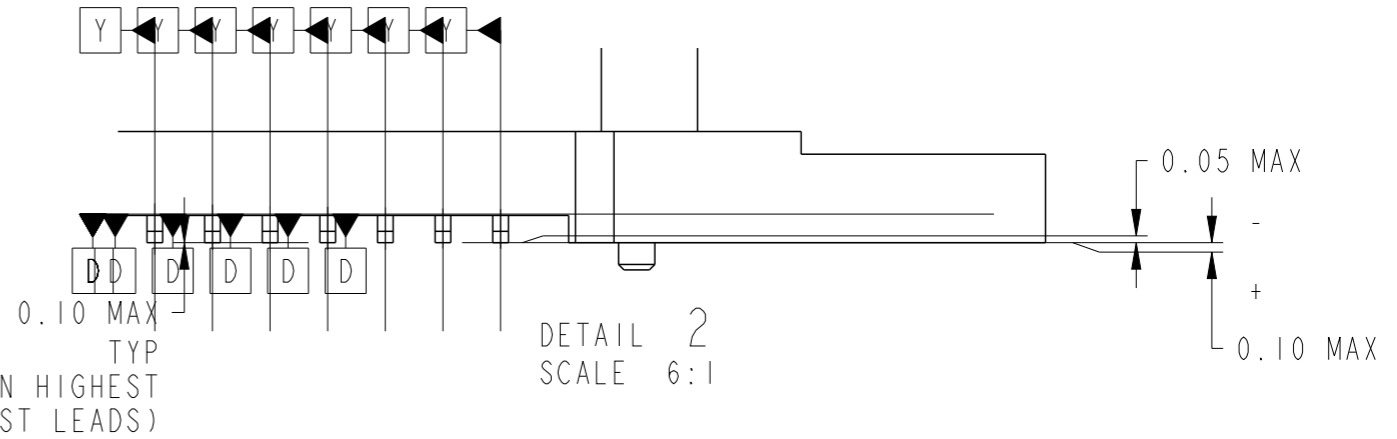
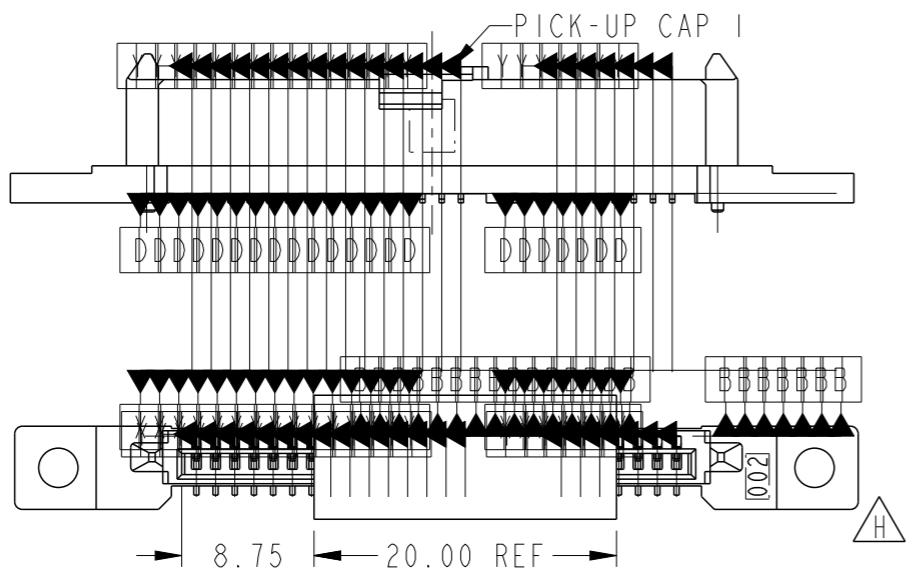


RECOMMENDED PCB LAYOUT

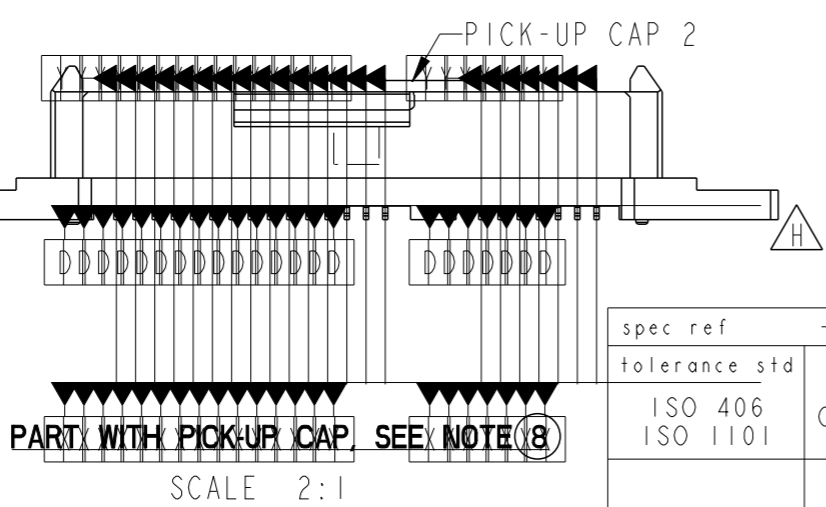
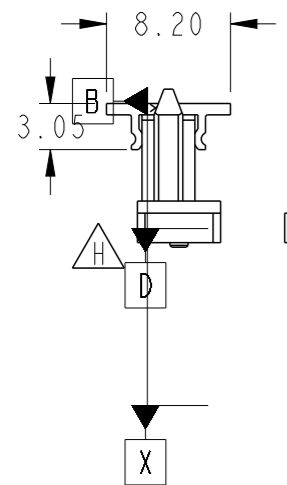
10045103-001/002C



10045103-0021



DETAIL 2
SCALE 6:1



PART WITH PICK-UP CAP. SEE NOTE (8)
SCALE 2:1

spec ref	-	dr	Louis Ng	2011/10/03	projection	MM	size	A3	scale	3:1
tolerance std	ISO 406 ISO 1101	eng	Noorhazlinda	2017/03/16			ecn no	ELX-M-25503-1	rel level	Released
surface	linear	chr	-	apppr			Koon-Poh Tay	2017/04/03		product family
	angular	0°	±3°	Amphenol FCI		S-ATA COMB RECEP. VERTICAL SMT TYPE ASSY		cat. no.	-	Product - Customer Drw
		0.X	±-				dwg no	10045103	rev	H
		0.XX	±0.20							
		0.XXX	±-							
		ISO 1302	0°	±3°						

Amphenol FCI

© 2016 AFCI

