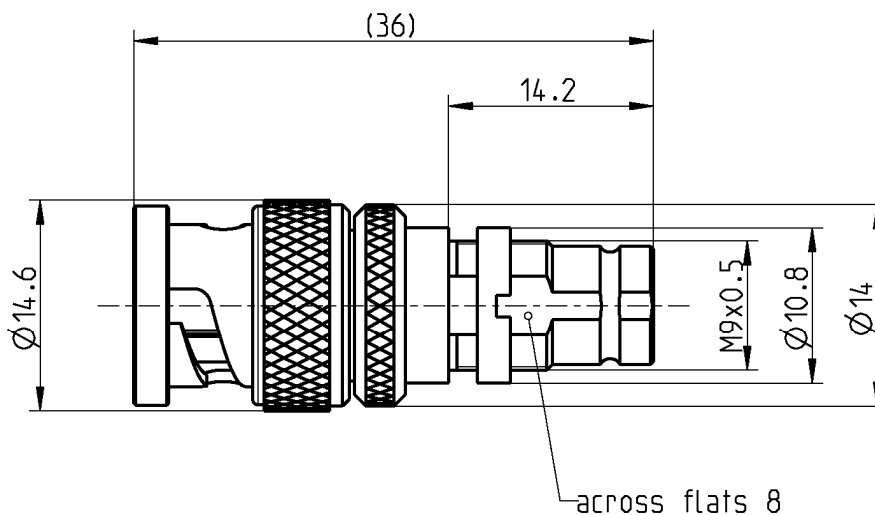


adaptor
BNC 75 Ω plug – 1.6/5.6 jack

71S188-K00L5



All dimensions are in mm; tolerances according to ISO 2768 m-H

Interface

BNC side	Compatible to	IEC 60169-8, MIL-PRF-39012, CECC 22120
1.6/5.6 side	According to	EN 122 240

Documents

Panel piercing	B 27
----------------	------

Material and plating

Connector parts

- Center contact
- Outer contact 1.6/5.6 side
- Outer contact BNC side
- Dielectric 1.6/5.6 side
- Dielectric BNC side
- Gasket

Material

- CuBe
- Brass
- Brass
- LCP
- PTFE
- NeopreneCR 50C6

Plating

- AuroDur®, gold plated
- AuroDur®, gold plated
- Nickel, 2.5-5 µm

adaptor
BNC 75 Ω plug – 1.6/5.6 jack

71S188-K00L5

Electrical data

Impedance	75 Ω	
Frequency	DC to 4 GHz	
Return loss	≥ 38 dB, DC to 2 GHz	
	≥ 33 dB, 2 to 3 GHz	
	≥ 27 dB, 3 to 4 GHz	
Insertion loss	≤ 0.05 dB	
Insulation resistance	≥ 5 x10 ³ MΩ	
Center contact resistance	≤ 1.5 mΩ, BNC side;	≤ 4 mΩ, 1.6/5.6 side
Outer contact resistance	≤ 1 mΩ, BNC side;	≤ 2 mΩ, 1.6/5.6 side
Test voltage	1000 V rms	
Working voltage	330 V rms	
Power handling (at 20 °C, sea level, VSWR 1.0)	≤ 80 W @ 2 GHz	

Mechanical data

	BNC side	1.6/5.6 side
Mating cycles	min. 500	min. 500
Center contact captivation: axial	≥ 30 N	≥ 30 N
Engaging and disengaging force	≤ 20 N	2.2 N to 12 N (screw-on, slide-on) 18 N to 50 N (quick-lock)

Environmental data

Temperature range	-65°C to +165°C
Thermal shock	MIL-STD-202, Meth. 107, Cond. B
Corrosion	MIL-STD-202, Meth. 101, Cond. B
Vibration	MIL-STD-202, Meth. 204, Cond. B
Shock	MIL-STD-202, Meth. 213, Cond. G
Moisture resistance	MIL-STD-202, Meth. 106
RoHS	compliant

Tooling

N/A

Suitable cables

N/A

Weight

Weight 15.4 g/pce

While the information has been carefully compiled to the best of our knowledge, nothing is intended as representation or warranty on our part and no statement herein shall be construed as recommendation to infringe existing patents. In the effort to improve our products, we reserve the right to make changes judged to be necessary.

Draft	Date	Approved	Date	Rev.	Engineering change number	Name	Date
Inge Mühlauer	03/08/04	Sa. Krautenbacher	24.03.14	d00	14-0352	T. Krojer	24.03.14
Rosenberger Hochfrequenztechnik GmbH & Co. KG P.O.Box 1260 D-84526 Tittmoning Germany www.rosenberger.de					Tel.: +49 8684 18-0 Fax: +49 8684 18-499 email: info@rosenberger.de		Page 2 / 2