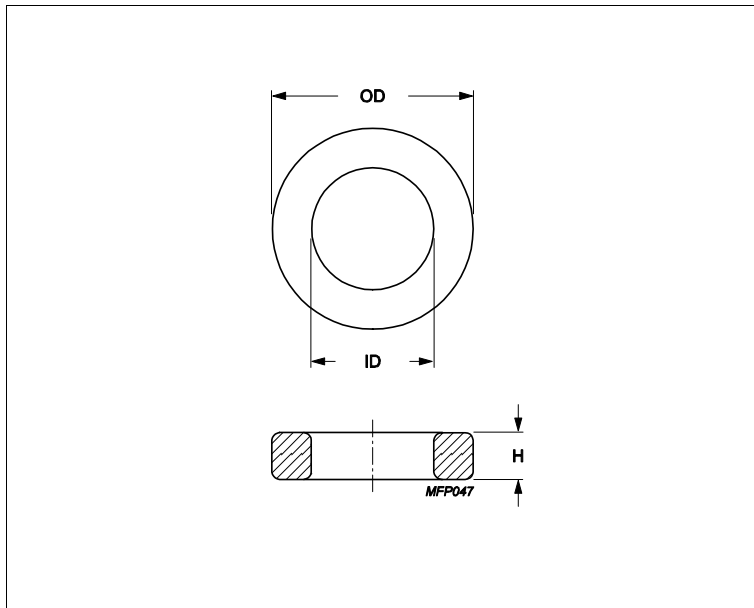


## Core **Toroid 13/7.9/6.4**



Effective parameters			
	Parameter	Value	Unit
$\Sigma(I/A)$	core factor (C1)	2.21	mm <sup>-1</sup>
<b>Ve</b>	effective volume	442	mm <sup>3</sup>
<b>Le</b>	effective length	31.2	mm
<b>Ae</b>	effective area	14.1	mm <sup>2</sup>
<b>m</b>	mass of core	≈ 2.2	g/pcs

Epoxy coating DC isolation voltage 1500.

Maximum operating temperature of the coating is 200°C.

### Dimensions (mm)

Cores	OD	ID	H	
<b>TX13/7.9/6.4</b>	13.35 max	7.27 min	7 max	Epoxy Coated

### Core data

Cores	Material	AI (nH/turns <sup>2</sup> )	AI tolerance	μe
<b>TX13/7.9/6.4</b>	3C94	1400	± 25%	≈ 2300
<b>TX13/7.9/6.4</b>	3E10	6100	± 20%	≈ 10000
<b>TX13/7.9/6.4</b>	3E12	7320	± 30%	≈ 12000
<b>TX13/7.9/6.4</b>	3E27	3350	± 25%	≈ 5500
<b>TX13/7.9/6.4</b>	3E6 (3E10-M)	6100	± 30%	≈ 10000
<b>TX13/7.9/6.4</b>	3E65	3170	± 25%	≈ 5200