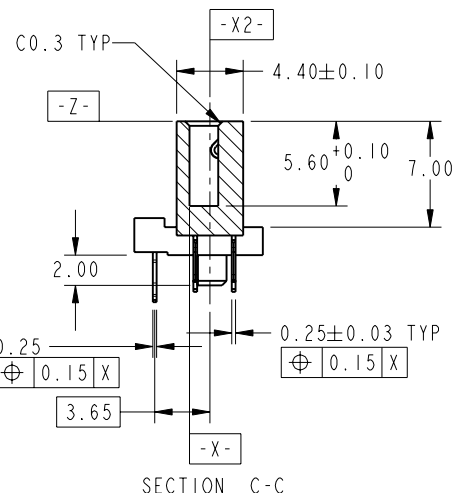
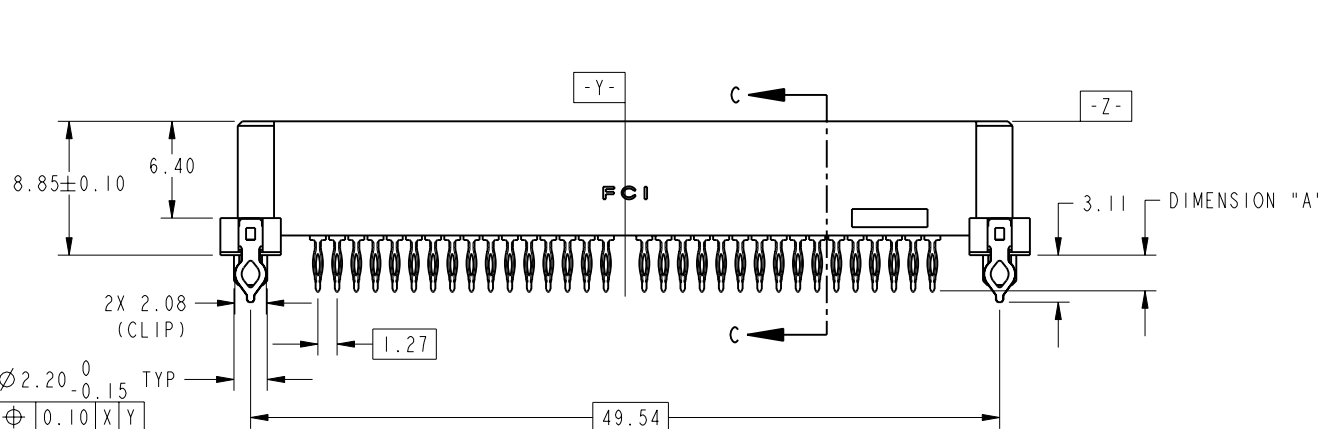
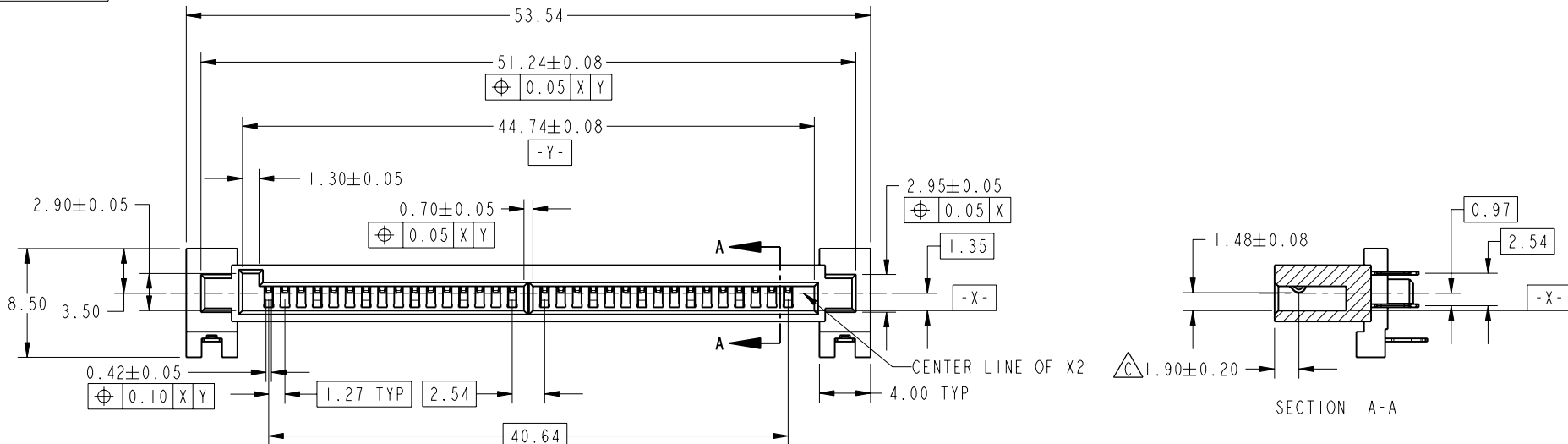


PRODUCT NO.  
10040812-001LF



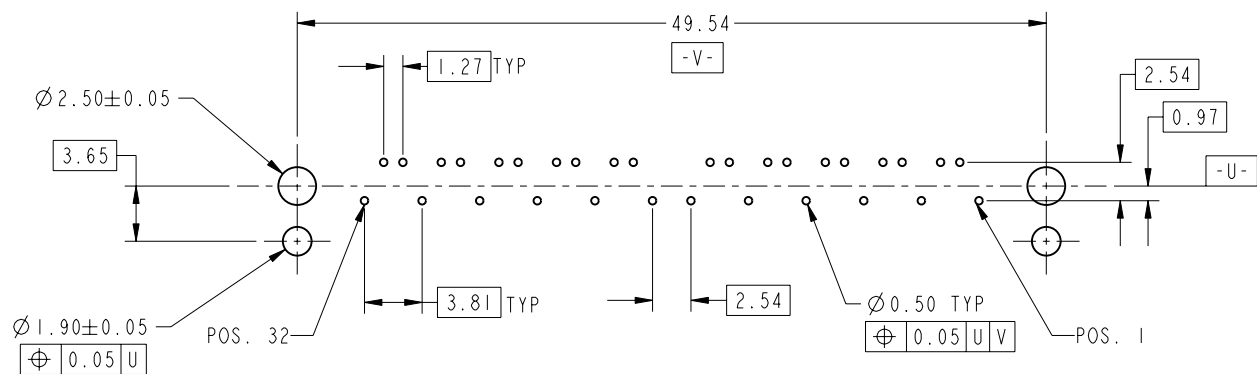
Copyright FCI.

rev	ecn no	dr	date
A	S05-0334	CST	2005-12-16
B	S06-0086	HKL	2006-03-13
C	S08-0073	HKL	2008-03-13
-	-	-	-
-	-	-	-
-	-	-	-

www.fciconnect.com		surface ASME Y14.5	tolerance std ASME Y14.5	projection MM
		TOLERANCES UNLESS OTHERWISE SPECIFIED		MM
Dr	SH TAN	2004-04-26	0.X ±0.25	size A4
Eng	HK LIM	2008-03-13	0.XX ±0.13	Scale 2:1
Chr	HK LIM	2008-03-13	0.XXX ±0.050	ECN S08-0073
Appr	JOEY NG	2008-03-13	Product family	Spec ref
FCI		4 LANE RECEPTACLE VERTICAL P/F ASSY		dwg no 10040812
catalog no		CUSTOMER		Rev. C
		sheet 1 of 2		

REV E - 2006-03-28

PRODUCT NO.	PCB THICKNESS	DIMENSION "A"	CONTACT GOLD THICKNESS
10040812-001LF	1.57±0.10	2.50±0.10	30 μ"/0.76 μm



RECOMMENDED PCB LAYOUT  
SCALE 2:1

- NOTES:
- MATERIAL:  
HOUSING- HIGH TEMPERATURE PLASTIC, BLACK, UL 94V-0  
CONTACT- COPPER ALLOY  
BOARD LOCK- COPPER ALLOY
  - FINISH:  
CONTACT:  
1.27um Min. NICKEL UNDERPLATE OVERALL,  
1.91um Min. 100% MATTE TIN (LEAD-FREE) ON SOLDER TAILS,  
0.76um Min. GOLD ON CONTACT AREAS  
BOARD LOCK:  
1.27um Min. NICKEL UNDERPLATE AND  
1.27um Min. 100% MATTE TIN(LEAD-FREE) OVERALL
  - THIS PRODUCT MEETS EUROPEAN UNION DIRECTIVES AND OTHER COUNTRY REGULATIONS AS DESCRIBED IN GS-22-008
  - THE HOUSING WILL WITHSTAND EXPOSURE TO 260°C PEAK TEMPERATURE FOR 10 SECONDS IN A CONVECTION, INFRA-RED OR VAPOR PHASE REFLOW OVEN
  - A SYMBOL WILL BE NEXT TO ANY DIMENSION, VIEW, OR NOTE WHICH HAS BEEN MODIFIED WITH THE CURRENT DRAWING REVISION

	<b>4 LANE RECEPTACLE</b> <b>VERTICAL P/F ASSY</b>	dwg no <b>10040812</b>	Rev. <b>C</b>
	catalog no	<b>CUSTOMER</b>	sheet 2 of 2



Copyright FCI.