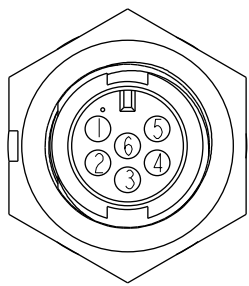
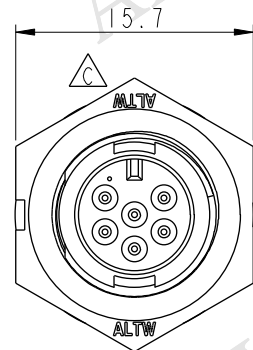
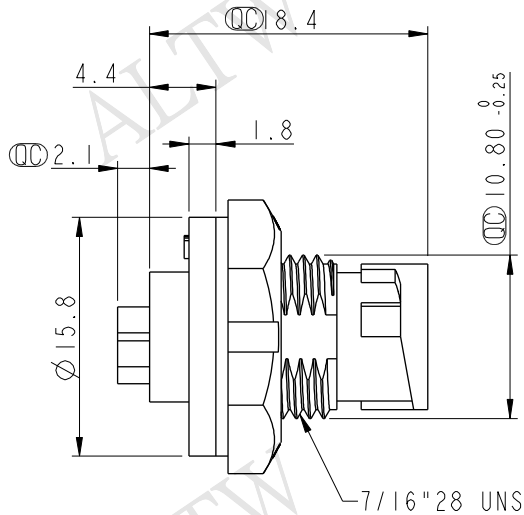
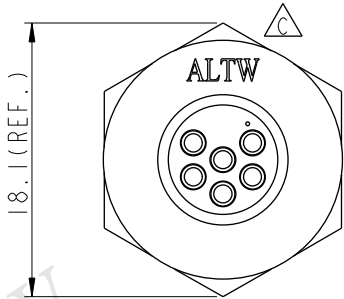


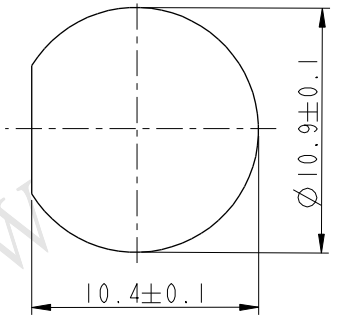
REV.	ECN NO.	DATE	SIGN	DESCRIPTION
B	LEN-8A0156	2008/09/15	Shin	Add Notes
C	LEN1610005	2015/12/25	Kaven	Update Logo

ALTW
CONFIDENTIAL
2015-12-25
R&D DEPT.

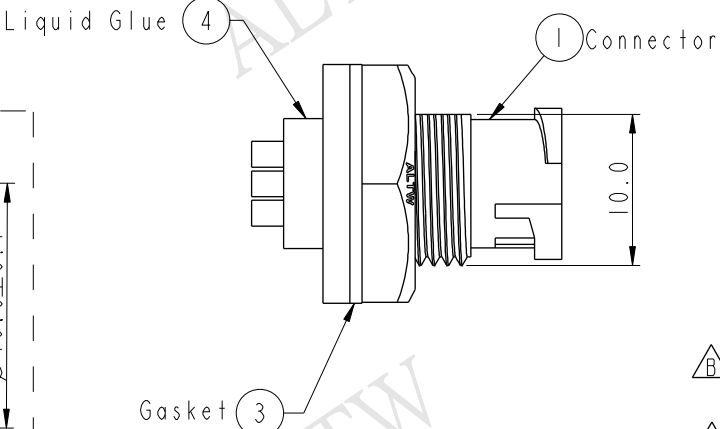
ALTW
DCC. DEPT.
CONFIDENTIAL
2016.01.07
ISSUED



Pin Assignments
Front View



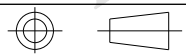
Recommended Panel Cut-Out



Note:

- * \varnothing Important Dimension.
- * Waterproof Rate: IP67
- * Housing: Black, Nylon+GF
- * Pin: Copper Alloy, Gold Plated
- * Nut: Black, Nylon+GF
- * Gasket: Black, EPDM
- \triangle * Use with waterproof cap or dust cap
Panel Thickness max: 2.5mm
- \triangle * Use without waterproof cap or dust cap
Panel Thickness max: 3.5mm

UNIT:mm



TOLERANCE
X ±0.25
.XX ±0.1
.XXX ±0.05
ANGLES ±1°

TITLE Mini Panel Lock 6Pin M Conn M Pin			
SCALE 2:1	SIZE A4	SHEET 1 OF 1	
REV. C	WC-REV. A.5	\varnothing : Inspection item	

Amphenol LTW
安費諾亮泰企業股份有限公司

ITEM NO AU-06PMMS-LC7001	DRAWN BY Kaven	DATE 2015-12-25
DWG NO AU-06PMMS-LC7001	CHECKED BY Doreen	DATE 2015-12-25
CUSTOMER ALTW	APPROVED BY Lisa	DATE 2015-12-25

THIS DOCUMENT IS SUBJECT TO CHANGE WITHOUT NOTICE. IT IS CONFIDENTIAL AND A PROPERTY OF AMPHENOL LTW. DISCLOSURE TO THIRD PARTY HAS TO BE AUTHORIZED BY AMPHENOL LTW.