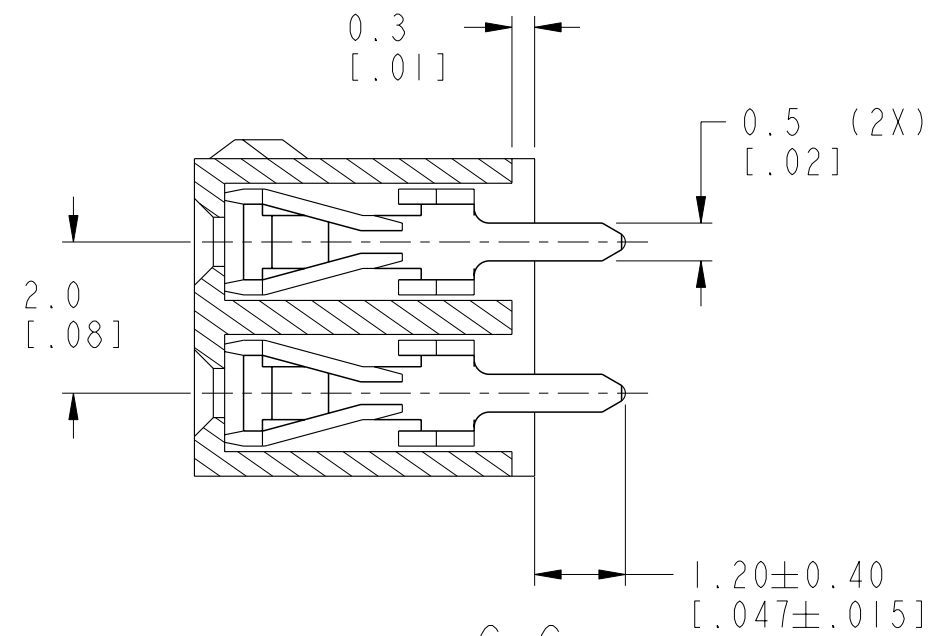
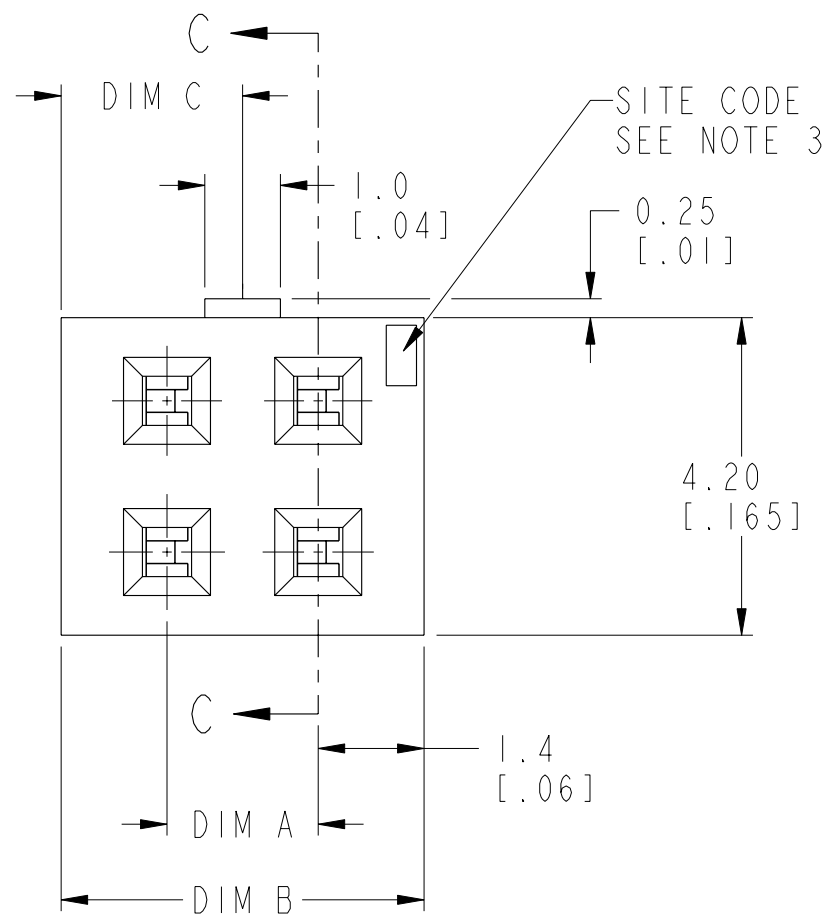


RECOMMENDED MOUNTING HOLE LAYOUT

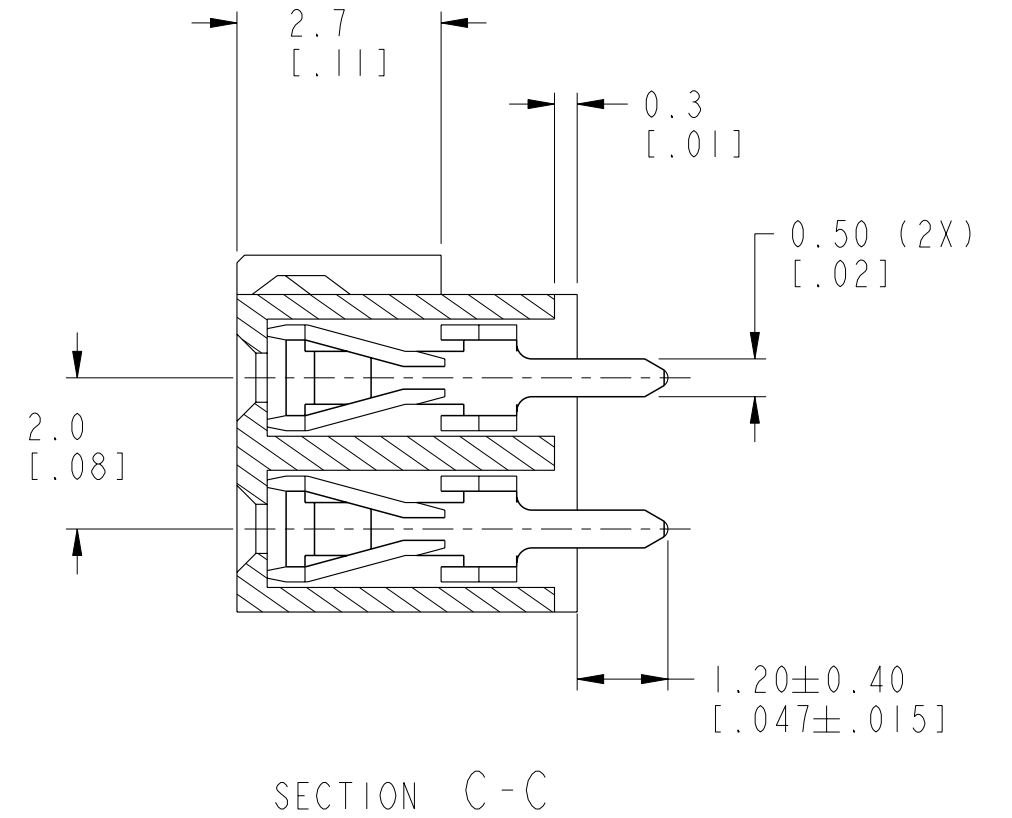
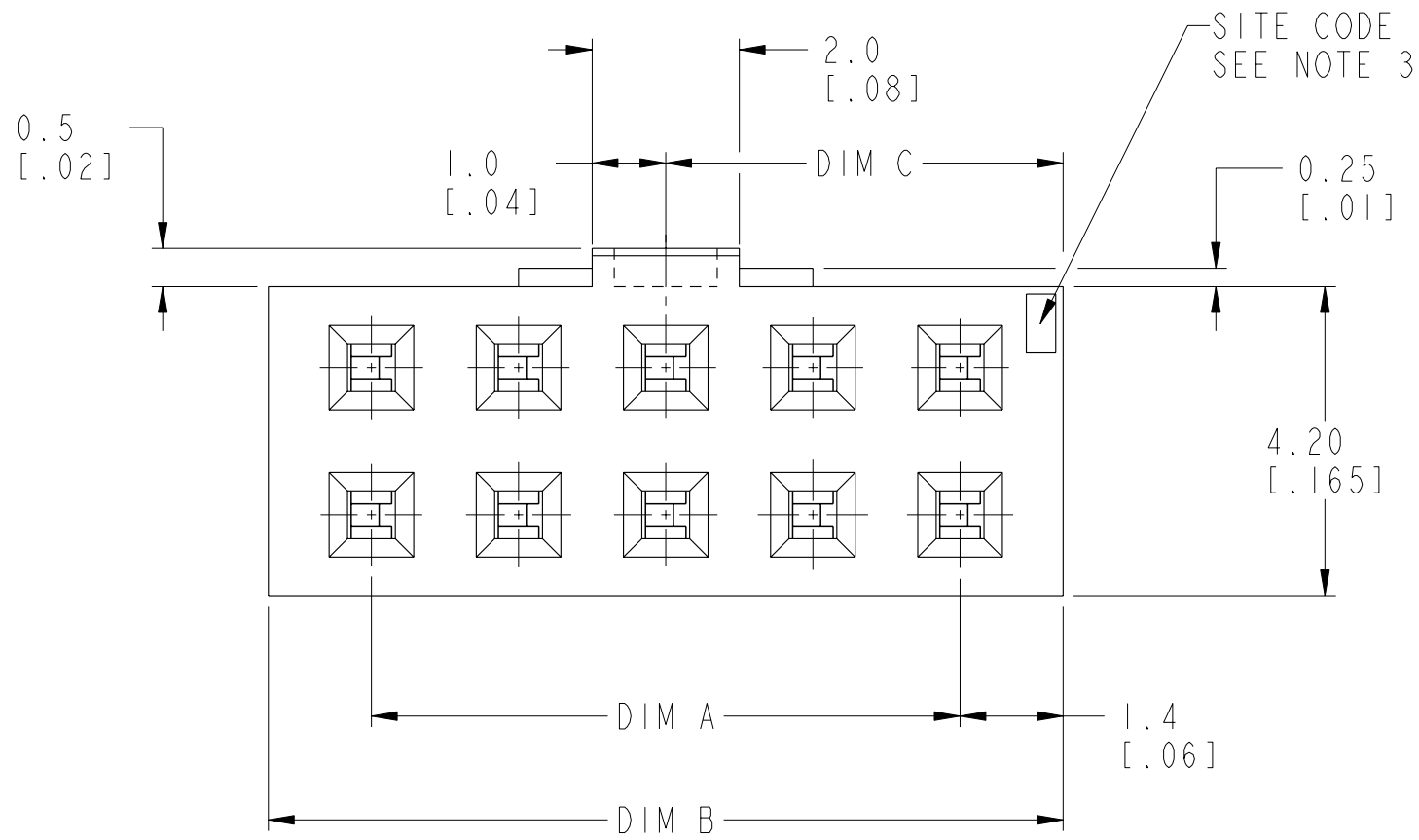
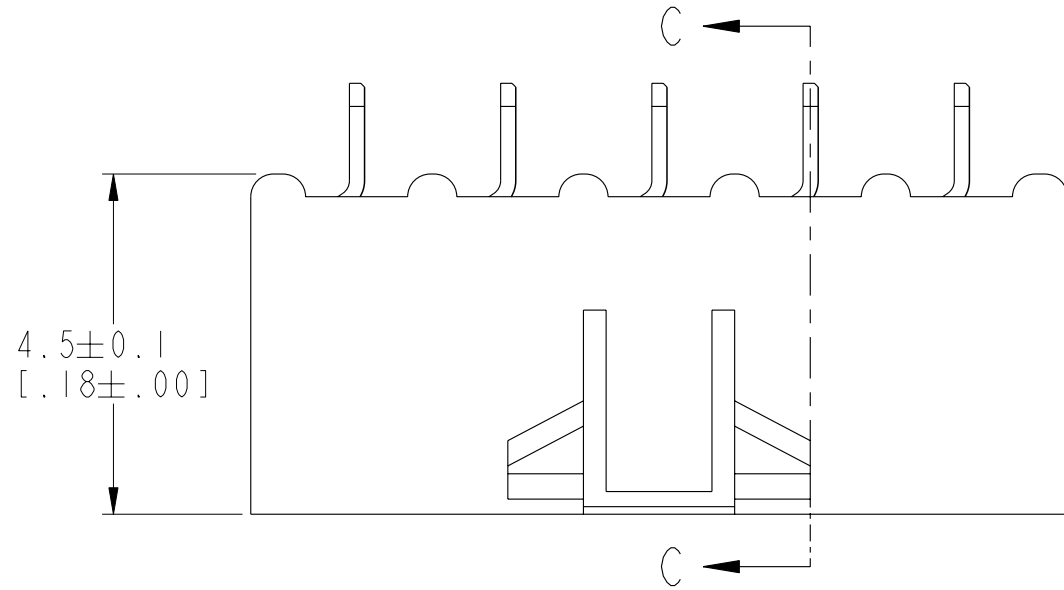


SECTION C-C

CONFIDENTIAL

www.fciconnect.com			surface - ✓ ISO 1302	tolerance std ISO 406 ISO 1101	projection MM/INCH
TOLERANCES UNLESS OTHERWISE SPECIFIED					size A3
Dr	S. OLSON	1991-09-03	ANGULAR	x.xx/.xx ±0.3/.01	Scale 10:1
Eng	S. OLSON	1991-09-03	LINEAR	x.xx/.xxx ±0.013/.005	ECN S10-0205
Chr	KH LEE	2010-01-23	0° ±2°	x.xxx/.xxxx ±0.051/.0020	Spec ref -
Appr	JOEY NG	2010-01-23	Product family MINITEK		
FCI			MINITEK VCC HSG. DBL. ROW W/LATCHING		dwg no 90310
			catalog no		Rev. L
				CUSTOMER	sheet 1 of 3

rev	ecn no	dr	date
H	S04294	LSS	1995-01-19
J	V50889	MRC	1995-07-06
K	S05-0090	KBM	2005-03-21
L	S10-0205	AK	2010-01-23
-	-	-	-
-	-	-	-
-	-	-	-



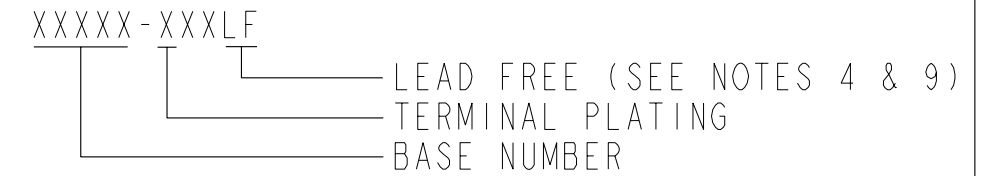
CONFIDENTIAL

www.fciconnect.com			surface ISO 1302	tolerance std ISO 406 ISO 1101	projection MM/INCH
			TOLERANCES UNLESS OTHERWISE SPECIFIED		
Dr	S. OLSON	1991-09-03	ANGULAR	LINEAR	size
Eng	S. OLSON	1991-09-03			A3
Chr	KH LEE	2010-01-23	0° ±2°	X.XX/.XXX X.XXX/.XXXX	ECN S10-0205
Appr	JOEY NG	2010-01-23	Product family MINITEK		Spec ref -
			title MINITEK VCC HSG. DBL. ROW W/LATCHING		Rev. L
catalog no -			dwg no 90310		sheet 2 of 3

PRODUCT NO	POSITIONS	DIM. A	DIM. B	DIM. C	LATCHING FEATURE
90310-X04	2 X 2	2.0/.08	4.8/.19	2.4/.09	1
90310-X06	2 X 3	4.0/.16	6.8/.27	3.4/.13	2
90310-X08	2 X 4	6.0/.24	8.8/.35	4.4/.17	▲
90310-X10	2 X 5	8.0/.32	10.8/.43	5.4/.21	
90310-X12	2 X 6	10.0/.39	12.8/.50	6.4/.25	
90310-X14	2 X 7	12.0/.47	14.8/.58	7.4/.29	
90310-X16	2 X 8	14.0/.55	16.8/.66	8.4/.33	
90310-X18	2 X 9	16.0/.63	18.8/.74	9.4/.37	
90310-X20	2 X 10	18.0/.71	20.8/.82	10.4/.41	
90310-X22	2 X 11	20.0/.79	22.8/.90	11.4/.45	
90310-X24	2 X 12	22.0/.87	24.8/.98	12.4/.49	
90310-X26	2 X 13	24.0/.95	26.8/1.06	13.4/.53	
90310-X28	2 X 14	26.0/1.02	28.8/1.13	14.4/.57	
90310-X30	2 X 15	28.0/1.10	30.8/1.21	15.4/.61	
90310-X32	2 X 16	30.0/1.18	32.8/1.29	16.4/.65	▼
90310-X34	2 X 17	32.0/1.26	34.8/1.37	17.4/.69	2

PLATING	DESCRIPTION SEE NOTE 4
0	0.2µm/ 8µ" Au
1	0.76µm/ 30µ" Au
2	UNASSIGNED
3	0.38µm/ 15µ" Au

PART NUMBER INFORMATION:



NOTES:

- HOUSING MATERIAL: PCT UL94V-0 COLOR BEIGE.
- TERMINAL MATERIAL: PHOS BRONZE
- SITE CODE INDICATES POS 1.
- PLATING AT CONTACT:
Au OVER 1.27µm/500 Ni

PLATING AT SOLDER TAIL:
(a) SOLDER TAIL OF P/N: 90310-XXX IS TIN/LEAD PLATED.
(b) SOLDER TAIL OF P/N: 90310-XXXLF IS 100% MATTE TIN PLATED.
- FOR USE WITH MINITEK LATCHING HEADERS WHEN MATING AND UNMATING THE FORCES WILL BE APPROX 1 Kg/2.2 lbs. GREATER THAN THE FORCES DETAILED IN 110-036, PAR 3.5.3.5.
- SHEET 1 SHOWS THE SINGULAR LATCHING FEATURE CONFINED TO THE 2X2.

- THIS HOUSING WILL WITHSTAND EXPOSURE TO 250°C PEAK TEMPERATURE FOR 10 SECONDS IN A CONVECTION, INFRA-RED OR VAPOR PHASE REFLOW OVEN.
- THE HOUSING WILL WITHSTAND EXPOSURE TO 260°C PEAK TEMPERATURE FOR 10 SECONDS IN A WAVE SOLDER APPLICATION WITH A 1.57MM MINIMUM THICK CIRCUIT BOARD.
- THIS PRODUCT MEETS EUROPEAN UNION DIRECTIVES AND OTHER COUNTRY REGULATIONS AS DESCRIBED IN GS-22-008.

- ▲ 10. A ▲ SYMBOL WILL BE NEXT TO ANY DIMENSION, VIEW OR NOTE WHICH HAS BEEN MODIFIED WITH THE CURRENT DRAWING REVISION.

CONFIDENTIAL

www.fciconnect.com		surface - ISO 1302	tolerance std ISO 406 ISO 1101	projection MM/INCH
TOLERANCES UNLESS OTHERWISE SPECIFIED				
Dr	S. OLSON	1991-09-03	ANGULAR	x.x/.xx ±0.3/.01
Eng	S. OLSON	1991-09-03	LINEAR	x.xx/.xxx ±0.013/.005
Chr	KH LEE	2010-01-23	0° ±2°	x.xxx/.xxxx ±0.051/.0020
Appr	JOEY NG	2010-01-23	Product family	MINITEK Spec ref -
FCI		MINITEK VCC HSG. DBL. ROW W/LATCHING		dwg no 90310
catalog no		CUSTOMER		Rev. L
		sheet 3 of 3		